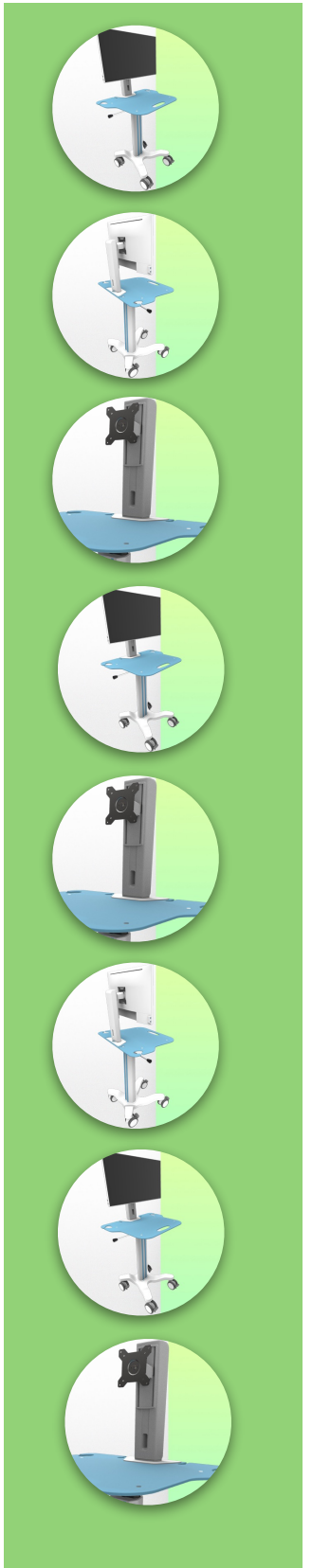
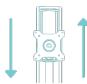




Ergonomic arm for screens up to 24"




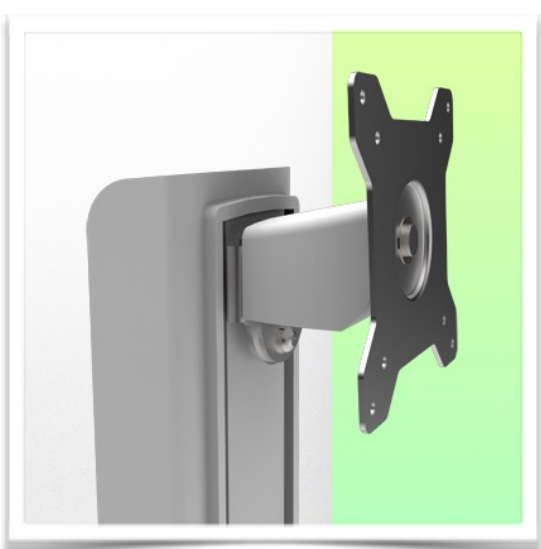
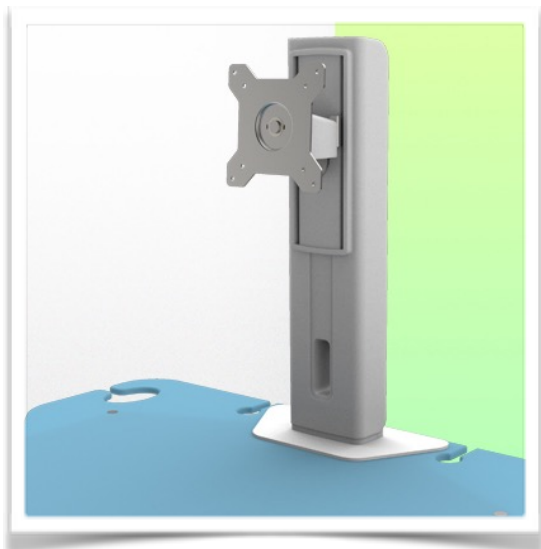
 Installation onto Medical Cart Workimed range

 Height adjustable display mount

 Tilt and rotation

 Integrated cable management

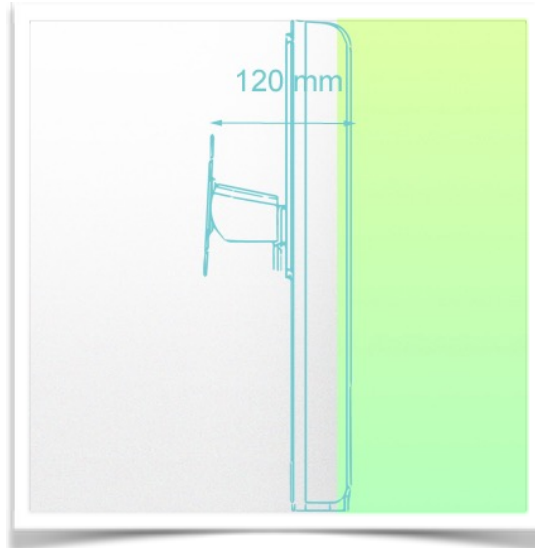
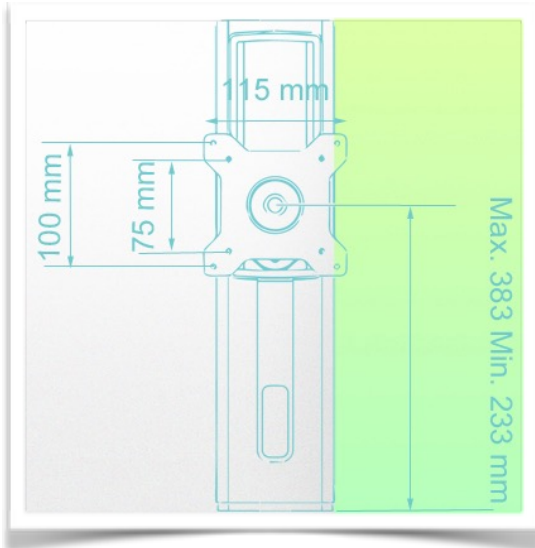
 Easy to clean



Presentation

Part Number: WM 555.9018

Ergonomic arm for screens up to 24"



Complete System

Net Weight: 2,4 Kg
Dimension (WxHxD) 115x420x120

Construction

Material: Steel

Display system

Hinge Module / Display Support

Tilt (hinge) -5°
Pivot +25°
Torque adjust 360° Landscape
Mounting pattern VESA 75/100 mm
Support écran 24"
Height adjustment 130 mm
Cable Management: inside
Color RAL 9016 White

