



**WorkiMed**<sup>®</sup>  
WORK PLACE TECHNOLOGY

Presentation

Part Number: WM 555.9006

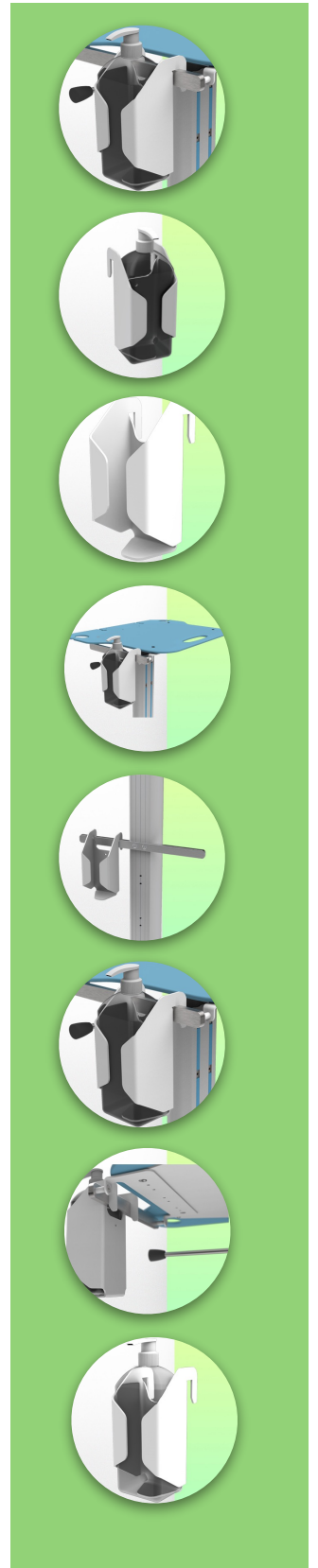
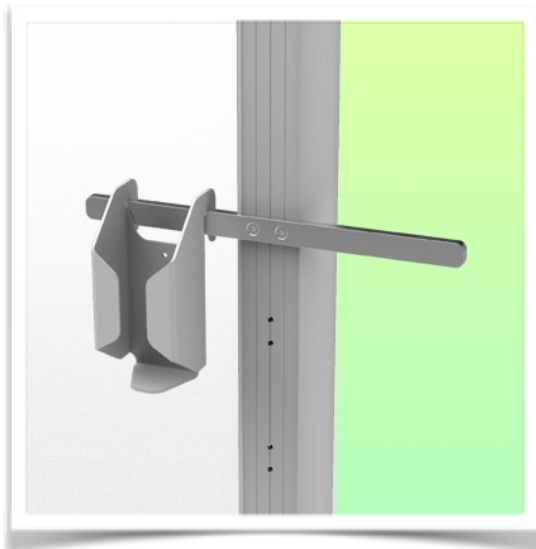
Gel Holder 105 x 201 x 90 mm Mounting on VESA 75/100 mm



Easy to clean



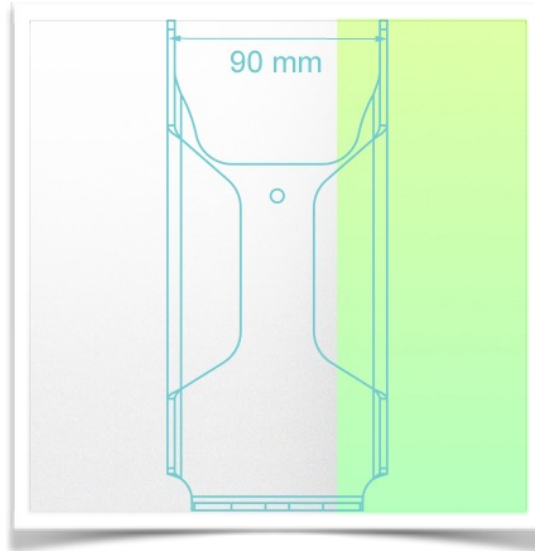
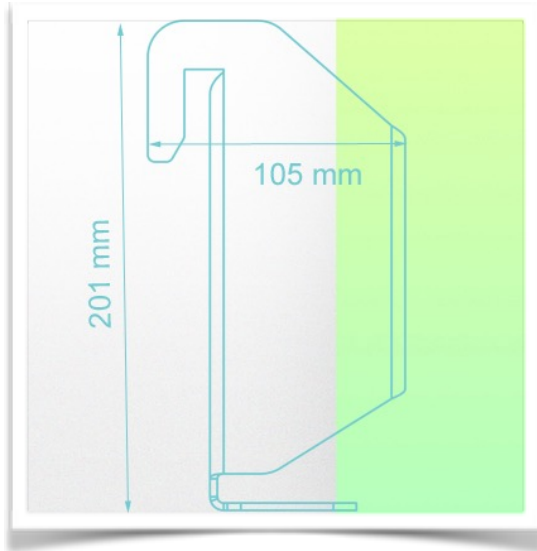
Installation onto Medical Cart WorkiMed range



Presentation

Part Number: WM 555.9006

Gel Holder 105 x 201 x 90 mm Mounting on VESA 75/100 mm



**Mechanical data**

Internal dimension 105x201x90 mm

**Construction**

Material: Mild steel

**Color**

RAL 9016 White

Mounting is done on an optional Din Rail on the side of the medical trolley

