

Presentation

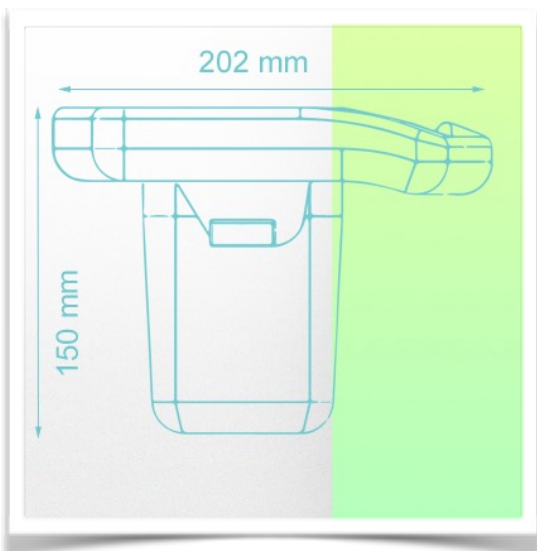
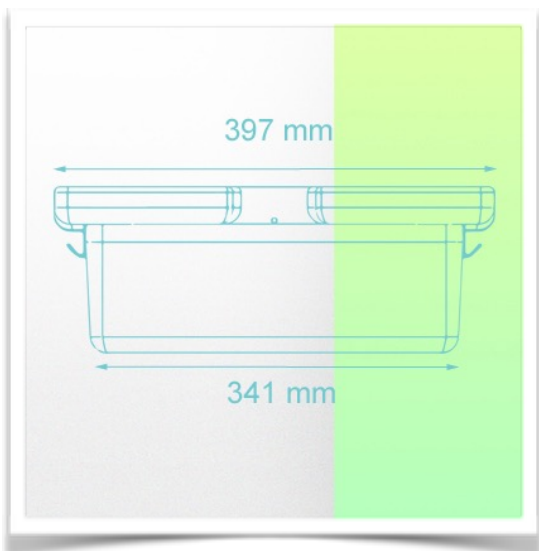
Part Number: WM 555.6062

Carrying handle with storage box (only compatible with WorkiMed Light Series carts)



This storage box with a carrying handle allows you to store various materials. It is fixed along the column and you can set the desired height yourself.

- \* Dimensions: W 397 x D 341 x H 150 mm
- \* Only compatible with WorkiMed Light medical carts
- \* Easy to clean
- \* Comfortable to use
- \* Colour RAL 9016 White





**WorkiMed**<sup>®</sup>  
WORK PLACE TECHNOLOGY

Presentation

Part Number: WM 555.6062

Carrying handle with storage box (only compatible with WorkiMed Light Series carts)

