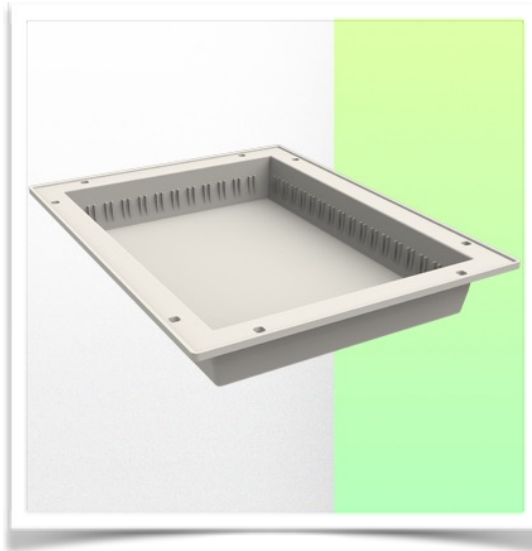


**Presentation**

**Part Number: WM 555.6044**

**Block of 3 Large drawers height 160 mm  
(compatible only with Medium and Heavy Duty WorkiMed Carts)**

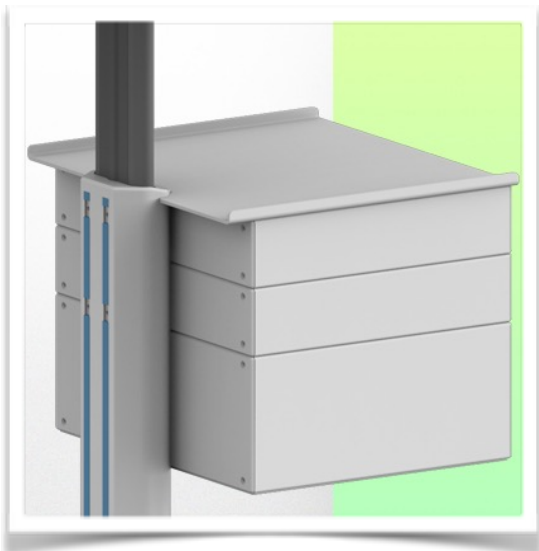


This telescopic drawer unit is fixed to the base of the medical trolley column with the included column rail adapters. It will allow you to store medical consumables.

On top of the drawer is a 490 x 300 mm work surface which improves the working space.

Inside the drawer is a 40 x 30 x 10 cm ISO tray which allows the drawer to be partitioned to improve product storage. Dividers can be supplied as an option.

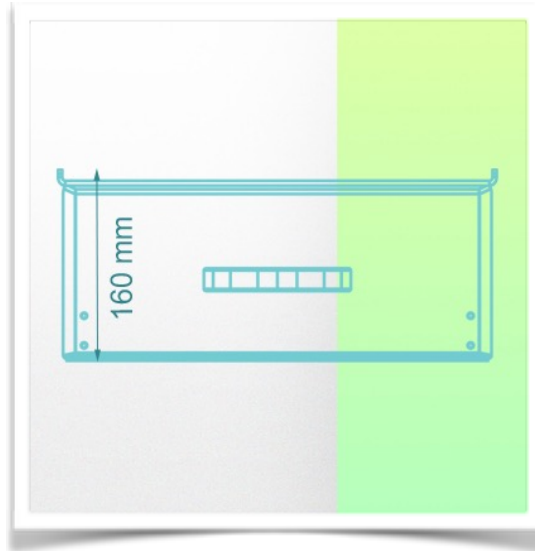
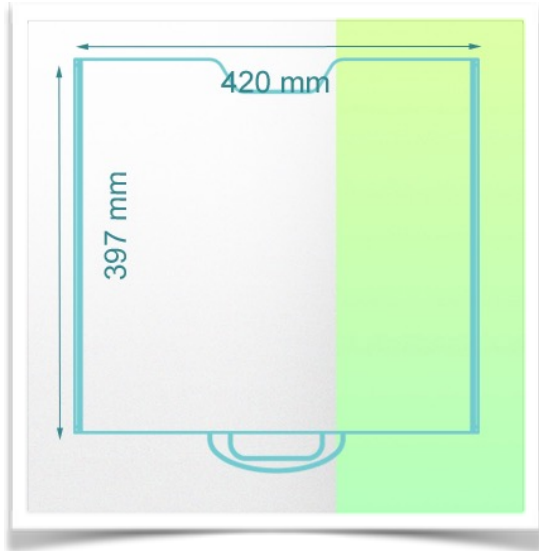
The internal dimensions of the drawer are W 420 x D 397 x H 160 mm



Presentation

Part Number: WM 555.6044

Block of 3 Large drawers height 160 mm  
(compatible only with Medium and Heavy Duty WorkiMed Carts)



**Mechanical data**

Internal dimensions 420 x 397 x 160 mm

**Max load per drawer**

5 Kg

**Construction**

Material: Aluminium

**Colour**

RAL 9016 White / Aluminium

