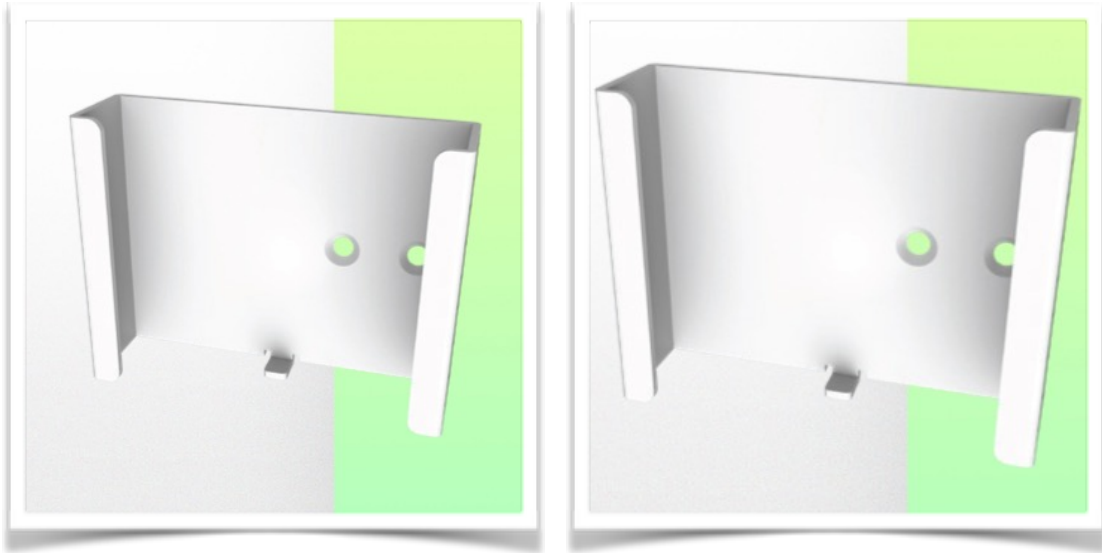




Bracket for power supply unit 110 x 144 x 41 mm



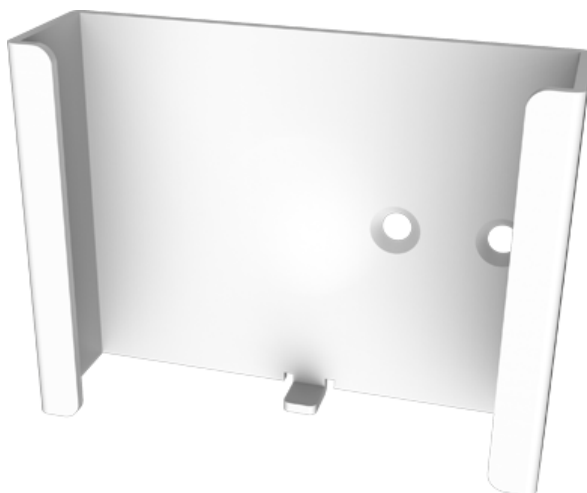
Room for cable storage



Easy to clean



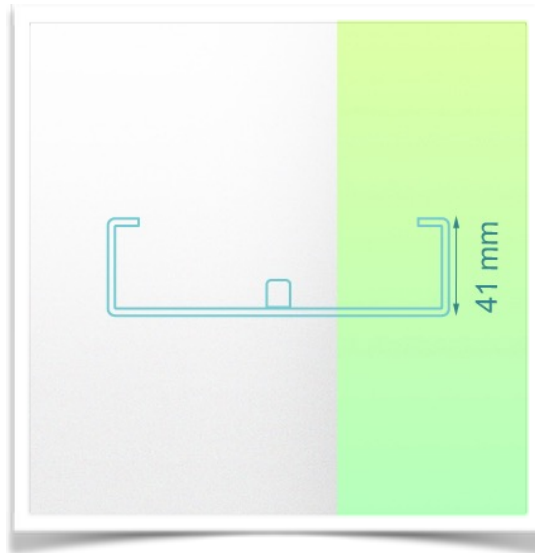
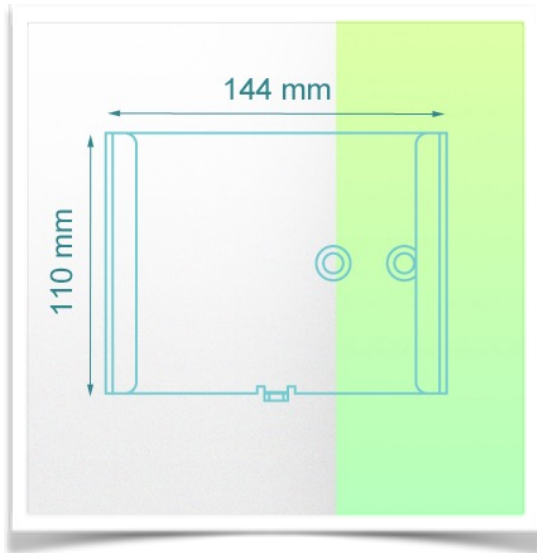
Installation on all WorkiMed Medical Cart Range



Presentation

Part Number: WM 555.6035

Bracket for power supply unit 110 x 144 x 41 mm



**Mechanical data**

Internal Dimension 110 x 144 x 41 mm

**Construction**

Material: Mild Steel

**Color**

RAL 9016 White / Aluminium

