

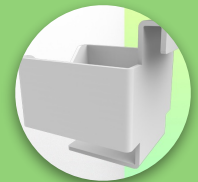
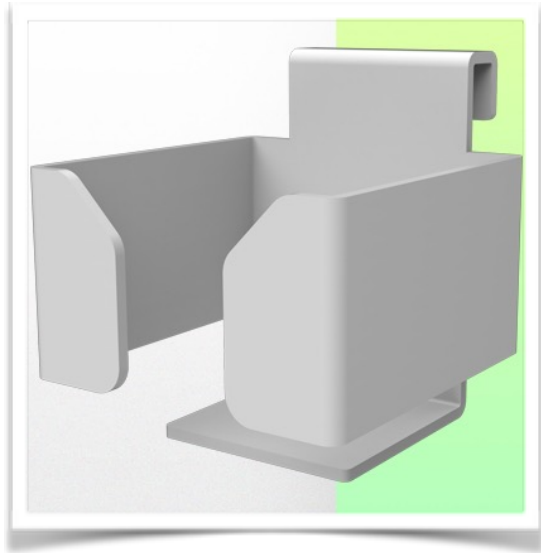


WorkiMed[®]
WORK PLACE TECHNOLOGY

Presentation

Part Number: WM 555.6026

Gel Holder 99,5 x 96 x 86 mm Mounting on VESA 75/100 mm

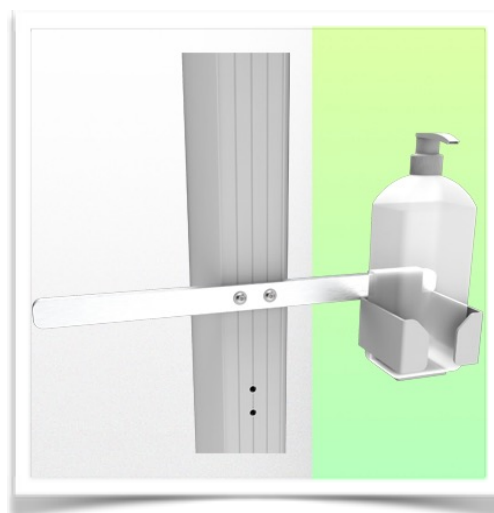


Easy to clean



Installation on all WorkiMed Medical Cart Range

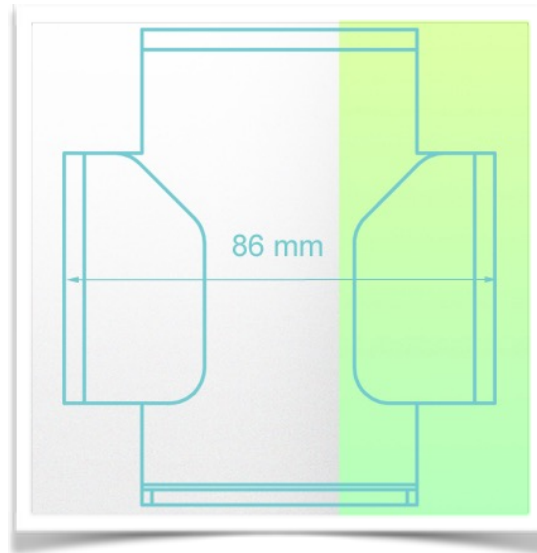
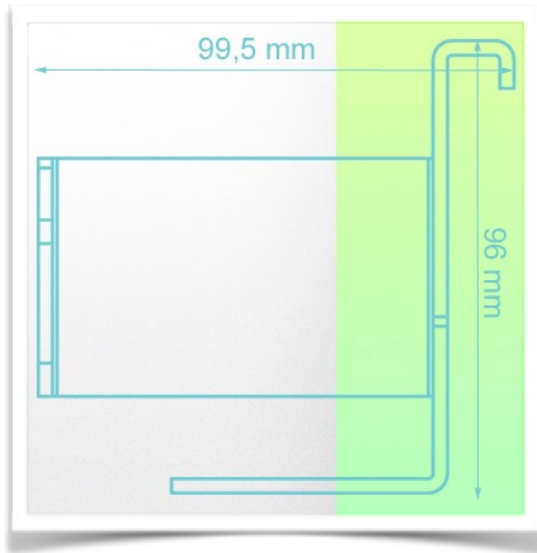
Mount on European Din Rail 10 x 25 mm



Presentation

Part Number: WM 555.6026

Gel Holder 99,5 x 96 x 86 mm Mounting on VESA 75/100 mm



Mechanical data

Internal Dimension 99,5 x 96 x 86 mm

Construction

Material: Mild Steel

Color

RAL 9016 White / Aluminium

Fixation on European Din Rail 10 x 25 mm

