



**Secure Tablet Stand**



Easy installation



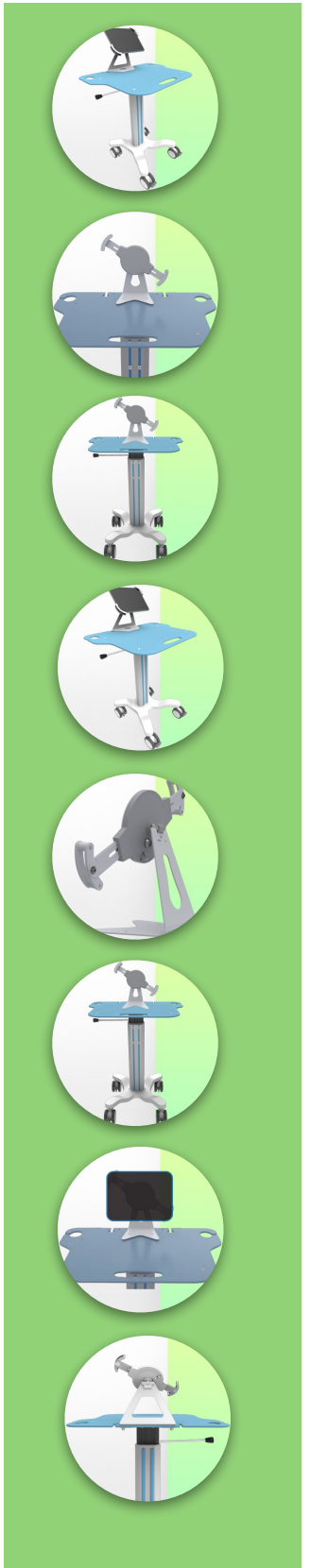
Easy to clean



Theft deterrent



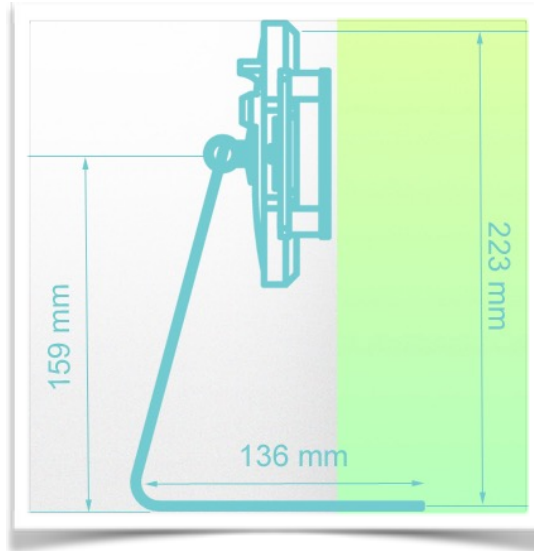
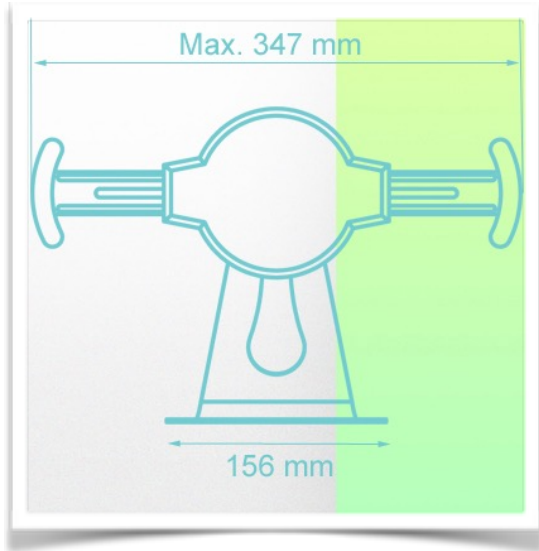
Easy suitable for 9-11" Tablet



Presentation

Part Number: WM 555.0045

**Secure Tablet Stand**



**Mechanical data**

Internal dimension 223x156x136

**Construction**

Material: Aluminium

**Color**

RAL 9016 White

