

ErgonoFlex®

MEDICAL MONITOR ARMS WALL MOUNT



We have all the solutions and offer you the widest choice of professional medical media systems compatible with the largest possible range of medical and computer monitors.

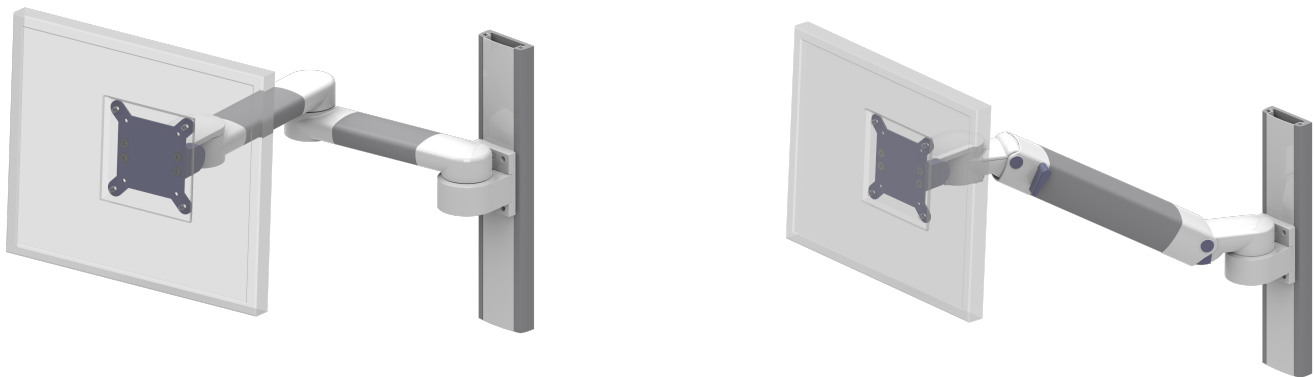
Our Medical Products for screen

MEDICAL ARMS FOR WALL MOUNTING SCREEN

INDEX :

MEDICAL ARMS FOR WALL MOUNTING SCREEN

Medical arms for display, wall mount overview	Page 4 - 18
Mandatory Options and Optional Accessories Overview	Page 19 - 21
Medical Arms for Display Presentations and Data Sheets	Page 22 - 101
Mandatory Options Presentations and Technical Sheets	Page 102 - 109
Optional Accessories Presentations and Data Sheets	Page 110 - 159
Benefits of Medical Arms	Page 160 - 175





Our Medical Products for screen

MEDICAL ARMS FOR WALL MOUNTING SCREEN

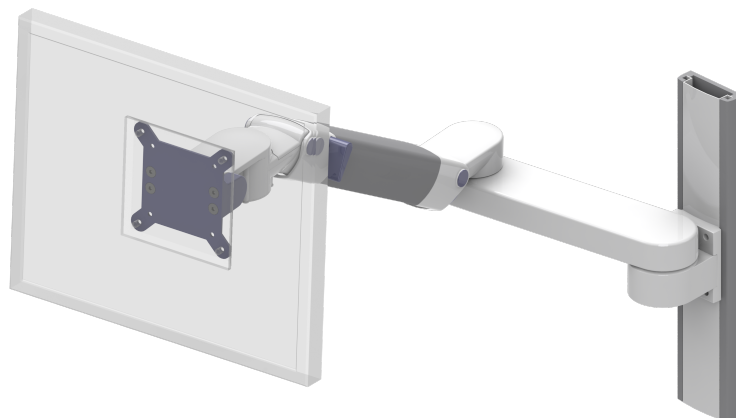
Orient and position your screen effortlessly from the wall

This range of products has been designed to meet all the needs for flat screen fixation experienced by many users in the healthcare sector. Medical monitor arms help create a larger, quiet, ergonomic and individual medical workstation.

However, the medical monitor arms are not all identical. We offer several types of arms, each of which is intended for a specific application: depth adjustment, height adjustment or simply both.

We assist you in choosing the medical monitor arm that best suits your needs. Position your LCD screen at the height appropriate for your viewing comfort.

We have all the solutions and offer the widest choice of professional medical media systems compatible with the widest possible range of medical and computer displays.



Medical Monitor Arms Wall Vertical Rail Mount

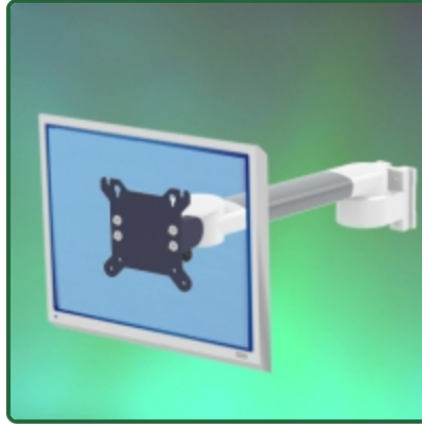
Medical Monitor Arms, adjustable in depth

Overview



Short Swivel Medical Arm
100 mm for screen
wall mount

Part Number: 991.110



240 mm Horizontal Medical
Monitor Arm, Wall Mount

Part Number: 991.504



300 mm Horizontal Medical
Monitor Arm, Wall Mount

Part Number: 991.111

26" Wide (Weight)

75/100 mm

18 Kg

VESA

MEDICAL GRADE

26" Wide (Weight)

75/100 mm

18 Kg

VESA

MEDICAL GRADE

26" Wide (Weight)

75/100 mm

18 Kg

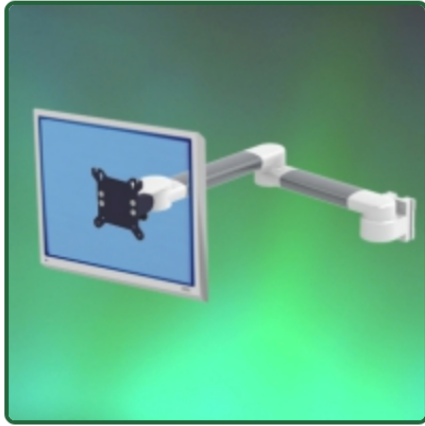
VESA

MEDICAL GRADE

Medical Monitor Arms Wall Vertical Rail Mount

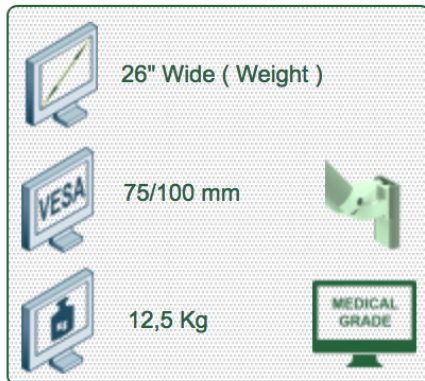
Medical Monitor Arms, adjustable in depth

Overview



2 x 300 mm Horizontal Medical
Monitor Arm, Wall Mount

Part Number: 991.112



Medical Monitor Arms Wall Vertical Rail Mount

Medical Monitor Arms, adjustable in height and depth

Overview



Medical Monitor Arm 300 mm height adjustable, wall mount

Part Number: 991.113-1



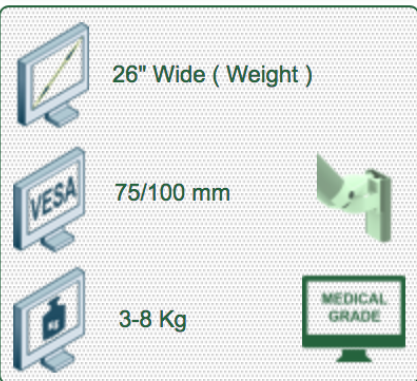
Medical Monitor Arm 300 mm height adjustable, wall mount

Part Number: 991.113-2



Medical Monitor Arm 300 mm height adjustable, wall mount

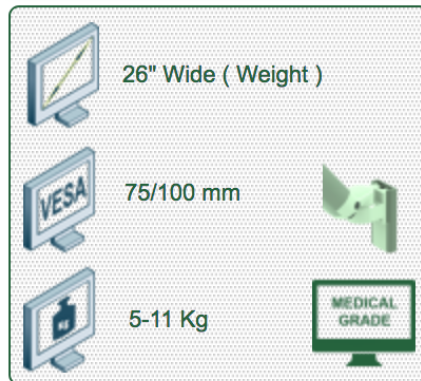
Part Number: 991.113-3



26" Wide (Weight)

VESA 75/100 mm

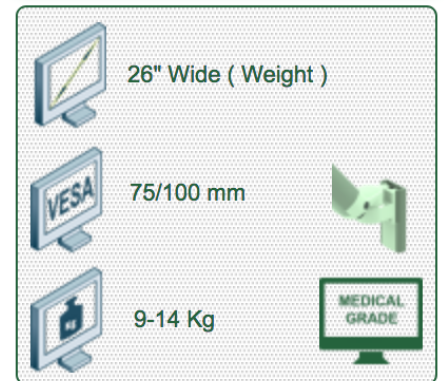
3-8 Kg



26" Wide (Weight)

VESA 75/100 mm

5-11 Kg



26" Wide (Weight)

VESA 75/100 mm

9-14 Kg



Medical Monitor Arms Wall Vertical Rail Mount

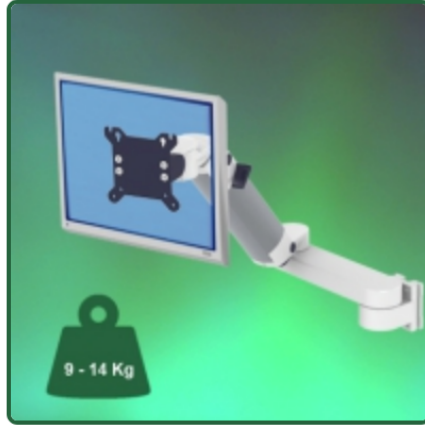
Medical Monitor Arms, adjustable in height and depth

Overview



Medical Monitor Arm 300 + 240 mm
height adjustable, wall mount

Part Number: 991.540-2



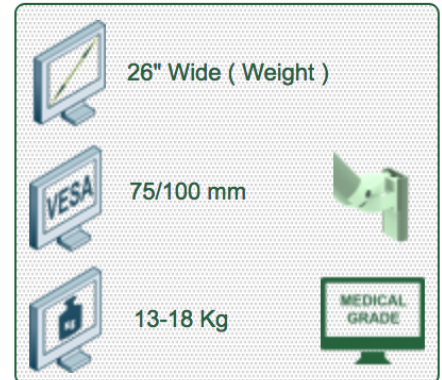
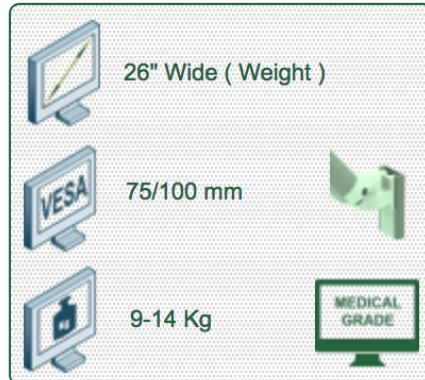
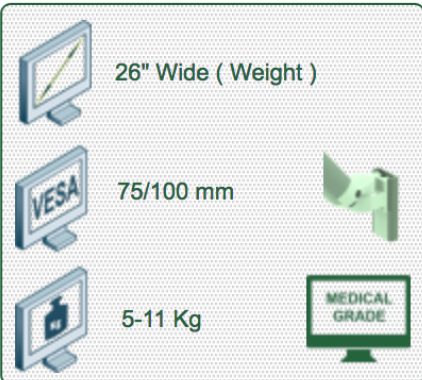
Medical Monitor Arm 300 + 240 mm
height adjustable, wall mount

Part Number: 991.540-3



Medical Monitor Arm 300 + 240 mm
height adjustable, wall mount

Part Number: 991.540-4



Medical Monitor Arms Wall Vertical Rail Mount

Medical Monitor Arms, adjustable in height and depth

Overview



Bras Médical Ajustable en hauteur
de 300+240mm pour écran
fixation murale

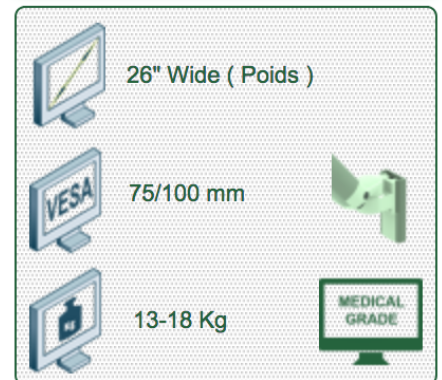
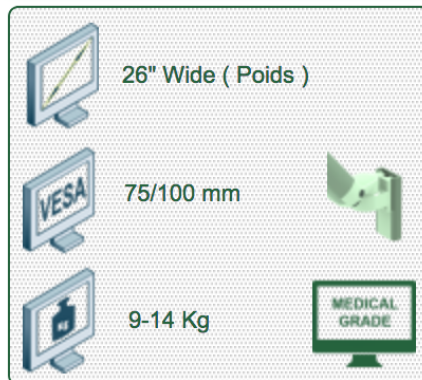
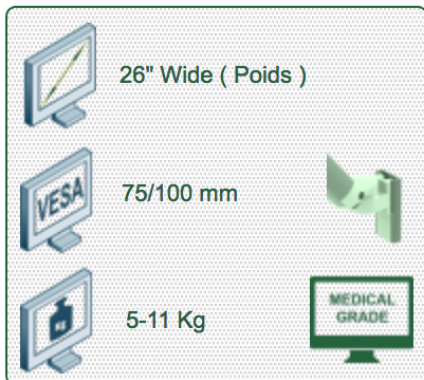
Référence: 991.540-2

Bras Médical Ajustable en hauteur
de 300+240mm pour écran
fixation murale

Référence: 991.540-3

Bras Médical Ajustable en hauteur
de 300+240mm pour écran
fixation murale

Référence: 991.540-4



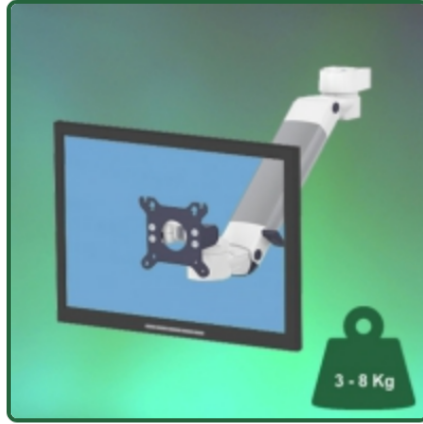
Medical Monitor Arms Wall Vertical Rail Mount

Medical Monitor Arms, adjustable in height and depth

Overview








Medical Monitor Arm 300 + 240 mm height adjustable, wall mount
Part Number: 991.540-5













Medical Monitor Arm PH 300 mm height adjustable, wall mount
Part Number: 991.530-1



Medical Monitor Arm PH 300 mm height adjustable, wall mount
Part Number: 991.530-2

 26" Wide (Weight)
 75/100 mm 
 16-22 Kg 

 26" Wide (Weight)
 75/100 mm 
 3-8 Kg 

 26" Wide (Weight)
 75/100 mm 
 5-11 Kg 

Medical Monitor Arms Wall Vertical Rail Mount

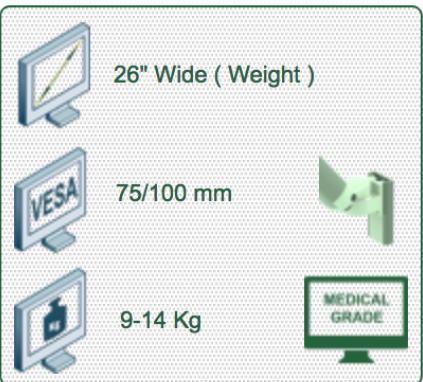
Medical Monitor Arms, adjustable in height and depth

Overview



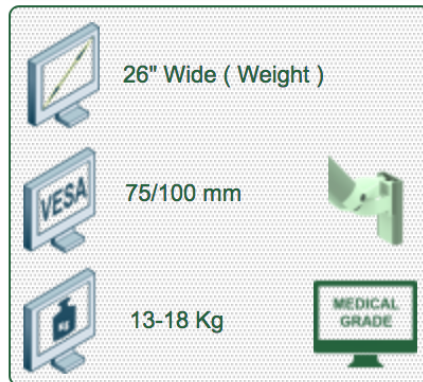
Medical Monitor Arm PH 300 mm height adjustable, wall mount

Part Number: 991.530-3



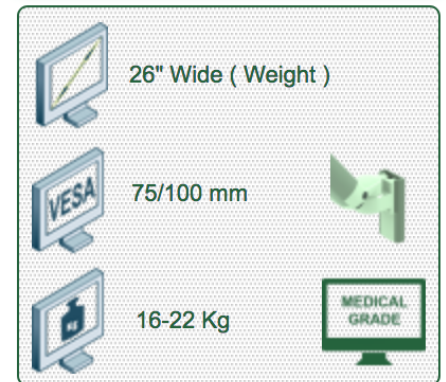
Medical Monitor Arm PH 300 mm height adjustable, wall mount

Part Number: 991.530-4



Medical Monitor Arm PH 300 mm height adjustable, wall mount

Part Number: 991.530-5



Medical Monitor Arms Wall Vertical Rail Mount

Medical Monitor Arms, adjustable in height and depth

Overview



Medical Monitor Arm PH
300 + 240 mm height adjustable,
wall mount

Part Number: 991.114-1

Medical Monitor Arm PH
300 + 240 mm height adjustable,
wall mount

Part Number: 991.114-2

Medical Monitor Arm PH
300 + 240 mm height adjustable,
wall mount

Part Number: 991.114-3

26" Wide (Weight)

VESA 75/100 mm

3-8 Kg

MEDICAL GRADE

26" Wide (Weight)

VESA 75/100 mm

5-11 Kg

MEDICAL GRADE

26" Wide (Weight)

VESA 75/100 mm

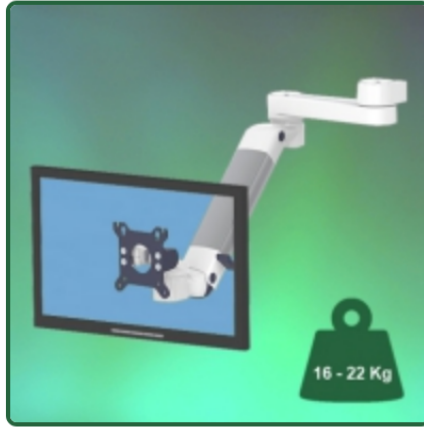
9-14 Kg

MEDICAL GRADE

Medical Monitor Arms Wall Vertical Rail Mount

Medical Monitor Arms, adjustable in height and depth

Overview

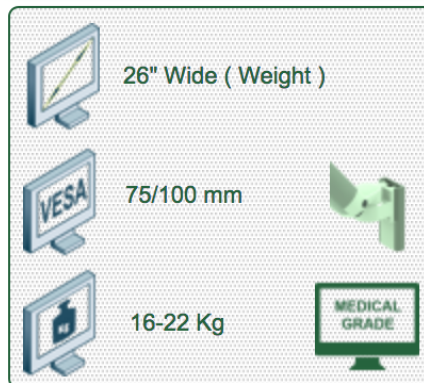
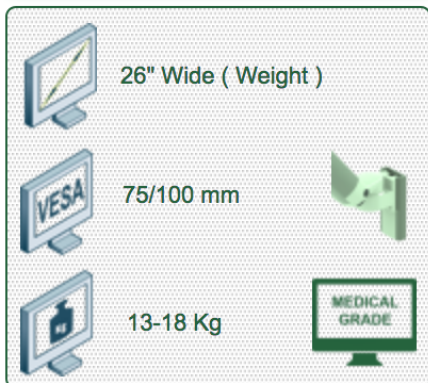


Medical Monitor Arm PH
300 + 240 mm height adjustable,
wall mount

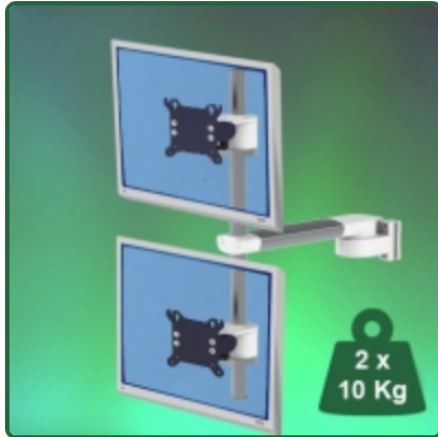
Part Number: 991.114-4

Medical Monitor Arm PH
300 + 240 mm height adjustable,
wall mount

Part Number: 991.114-5

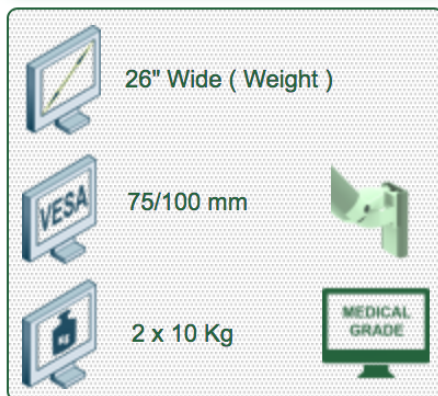


Medical Monitor Arms Wall Vertical Rail Mount Medical Monitor Arms, adjustable in height and depth Overview



240 mm horizontal arm equipped with a pole for two screens, mounted on a wall rail

Part Number: 991.843



Medical Monitor Arms Wall Vertical Rail Mount

Medical Monitor Arms, Large and Heavy, Wall Mount

Overview



New Product



New Product

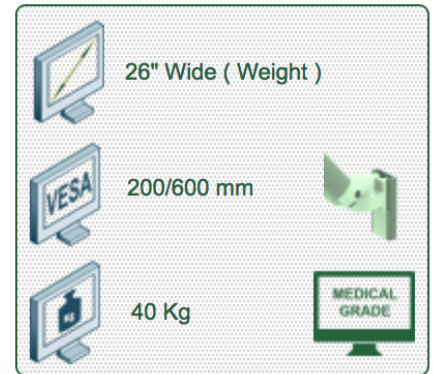
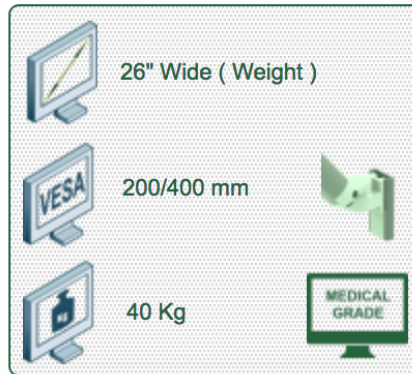
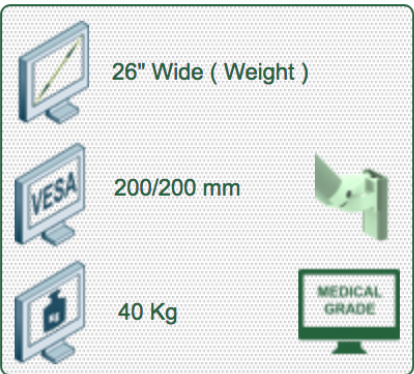


New Product

300 mm horizontal arm equipped with VESA adapter 200 x 200, Tilt 12.5 ° mounting on Vertical Wall Rail
Part Number: 991.846

300 mm horizontal arm equipped with VESA adapter 200 x 400, Tilt 12.5 ° mounting on Vertical Wall Rail
Part Number: 991.847

300 mm horizontal arm equipped with VESA adapter 200 x 600, Tilt 12.5 ° mounting on Vertical Wall Rail
Part Number: 991.848



Medical Monitor Arms Wall Vertical Rail Mount

Medical Monitor Arms, Large and Heavy, Wall Mount

Overview



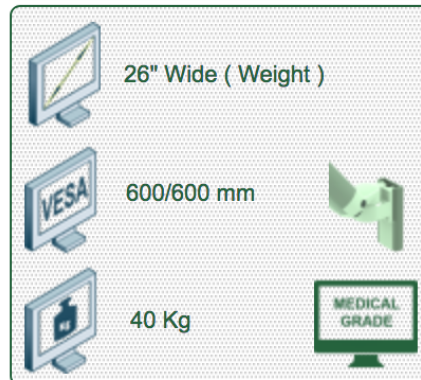
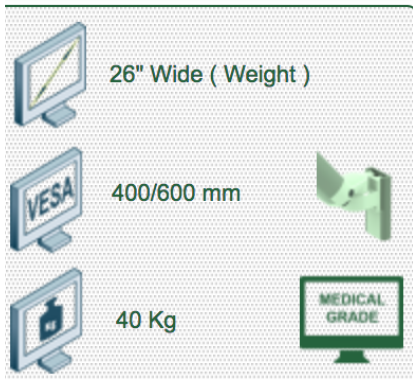
New Product



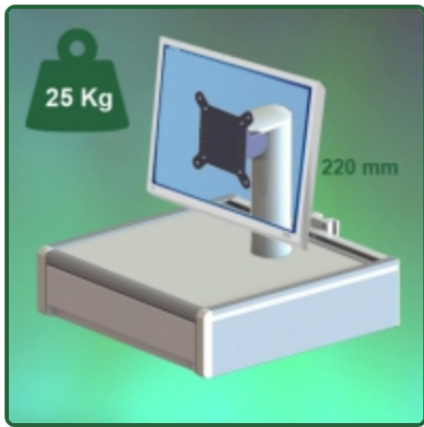
New Product

300 mm horizontal arm equipped with VESA adapter 400 x 600, Tilt 12.5 ° mounting on Vertical Wall Rail
Part Number: 991.849

300 mm horizontal arm equipped with VESA adapter 600 x 600, Tilt 12.5 ° mounting on Vertical Wall Rail
Part Number: 991.850

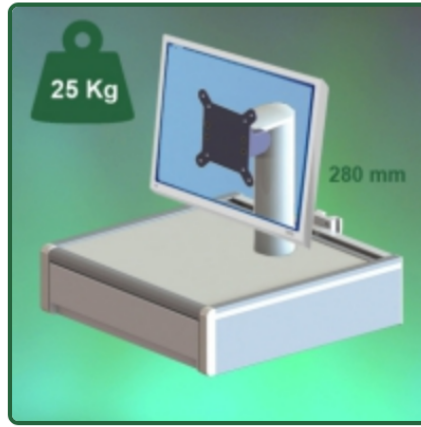


Medical Monitor Arms Wall Vertical Rail Mount Medical Monitor Consoles, Wall Mount Overview



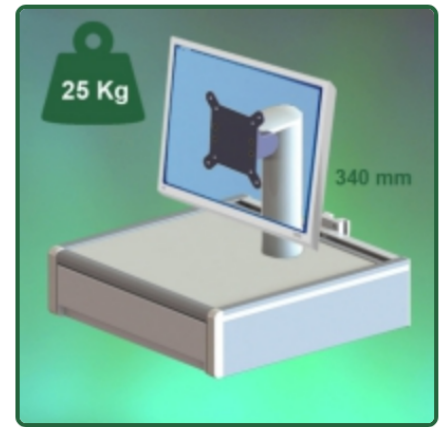
Medical Monitor Console,
Height 220 mm, 1 drawer
Wall Mount

Part Number: 991.858



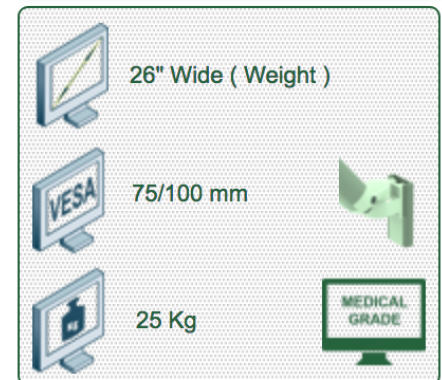
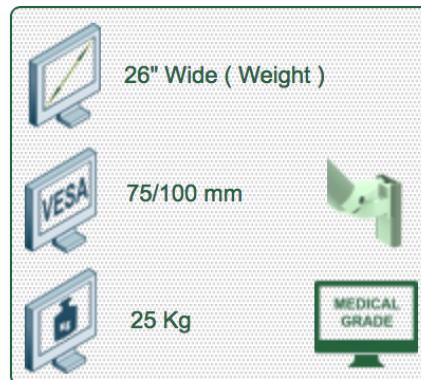
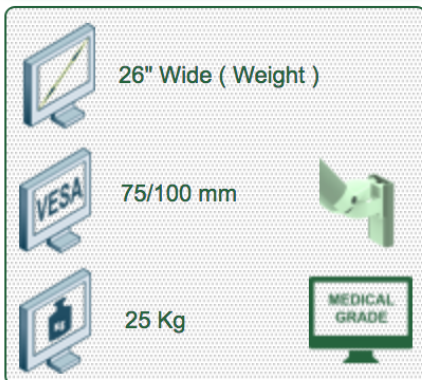
Medical Monitor Console,
Height 280 mm, 1 drawer
Wall Mount

Part Number: 991.859

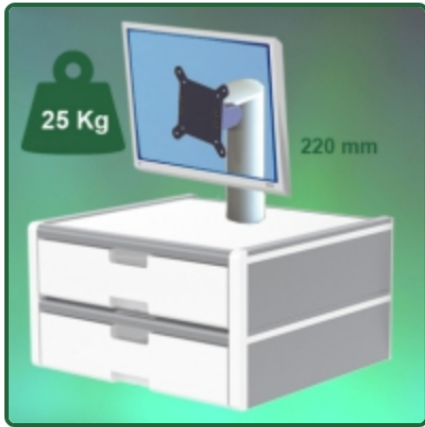


Medical Monitor Console,
Height 340 mm, 1 drawer
Wall Mount

Part Number: 991.860

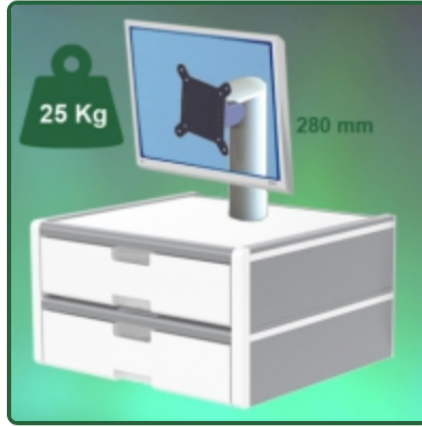


Medical Monitor Arms Wall Vertical Rail Mount Medical Monitor Consoles, Wall Mount Overview



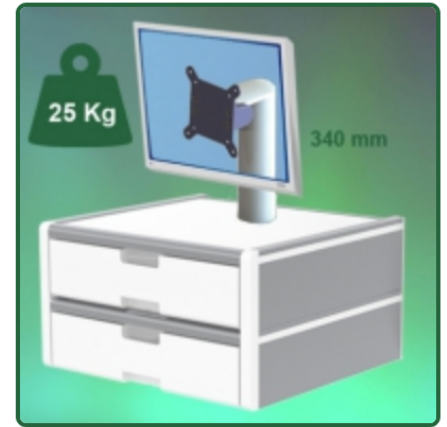
Medical Monitor Console,
Height 220 mm, 2 drawers
Wall Mount

Part Number: 991.861



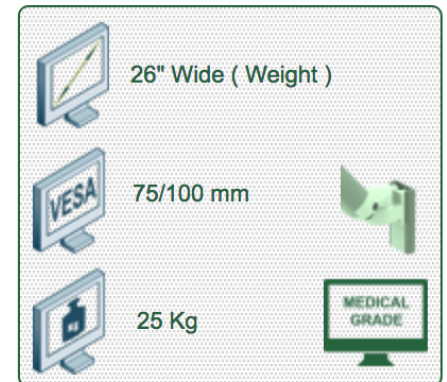
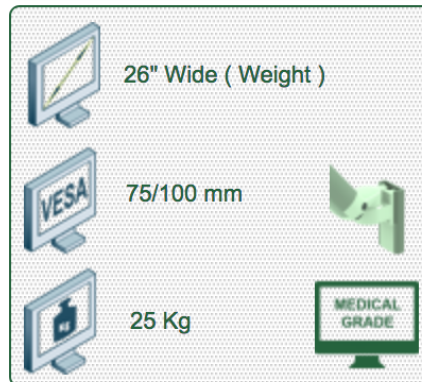
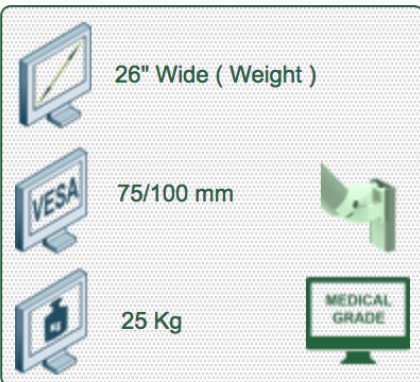
Medical Monitor Console,
Height 280 mm, 2 drawers
Wall Mount

Part Number: 991.862

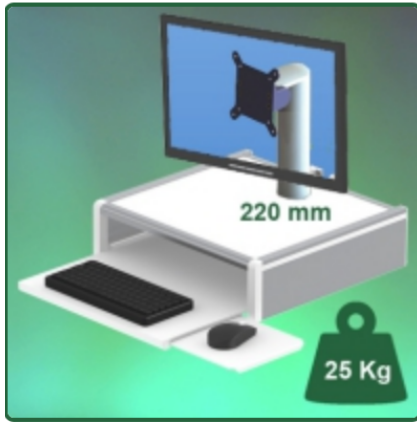


Medical Monitor Console,
Height 340 mm, 2 drawers
Wall Mount

Part Number: 991.863

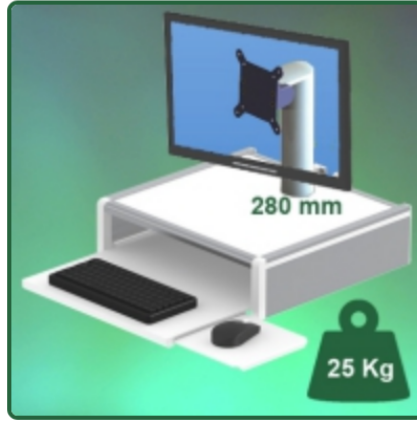


Medical Monitor Arms Wall Vertical Rail Mount Medical Monitor Consoles, Wall Mount Overview



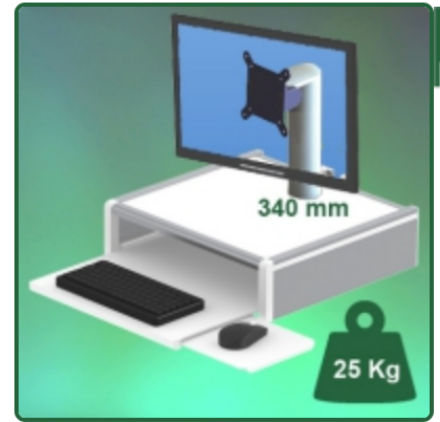
New Product

Medical Monitor Console,
Height 220 mm,
Keyboard Platform
Wall Mount
Part Number: 991.864



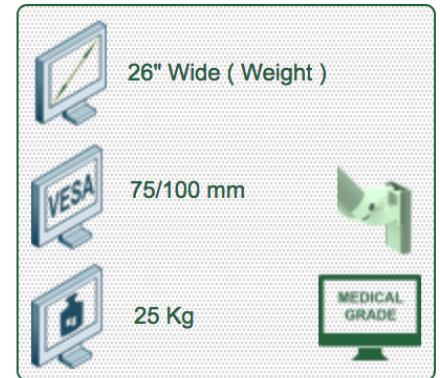
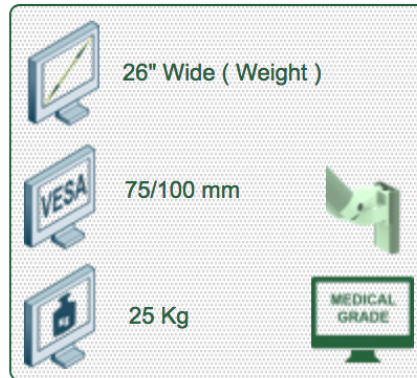
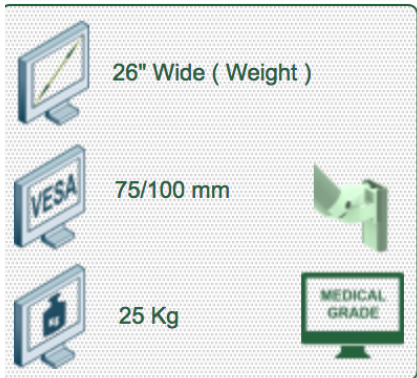
New Product

Medical Monitor Console,
Height 280 mm,
Keyboard Platform
Din Rail Vertical Mount
Part Number: 991.865



New Product

Medical Monitor Console,
Height 340 mm,
Keyboard Platform
Din Rail Vertical Mount
Part Number: 991.866



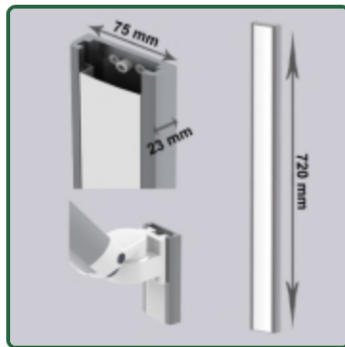
Medical Monitor Arms Wall Vertical Rail Mount Mandatory and Optional Accessories Overview

Mandatory accessories:



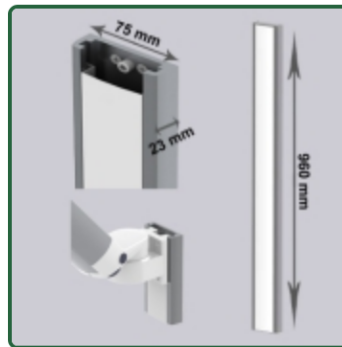
Vertical Wall Rail
with slide rail
480 mm

Part Number: 999.145



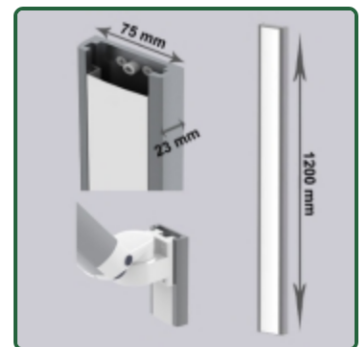
Vertical Wall Rail
with slide rail
720 mm

Part Number: 999.146



Vertical Wall Rail
with slide rail
960 mm

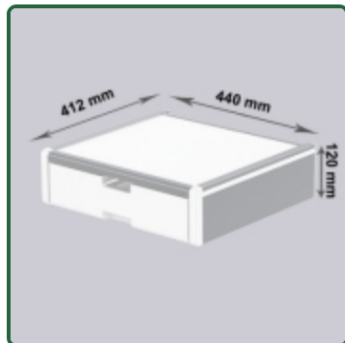
Part Number: 999.147



Vertical Wall Rail
with slide rail
1200 mm

Part Number: 999.148

Optional Accessories:



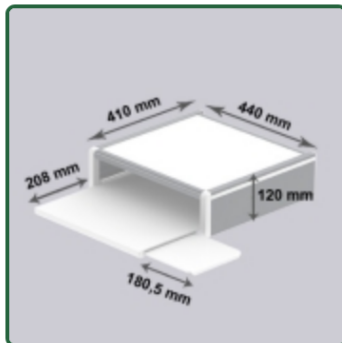
Single drawer
Mounting on Wall Rail

Part Number: 999.149



Din Rail 10 x 25 mm.
Length 300 mm.

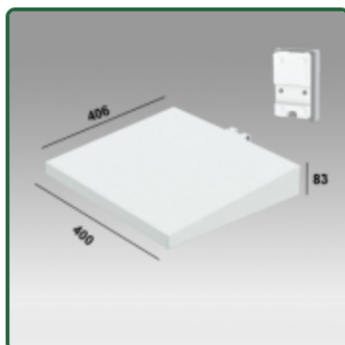
Part Number: 999.150



Drawer with Keyboard Holder
Mounting on Wall Rail

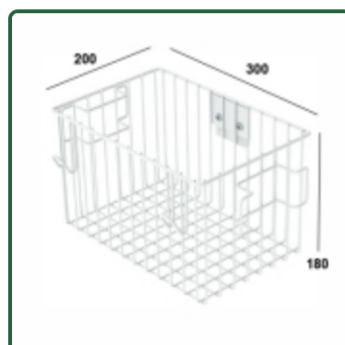
Part Number: 999.151

If you don't find
the right accessory for you,
do not hesitate to contact us,
we will help you
in your search



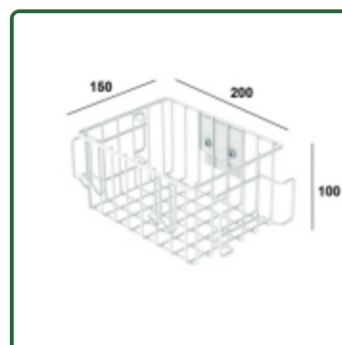
HD worktop
Mounting on Wall Rail

Part Number: 999.153



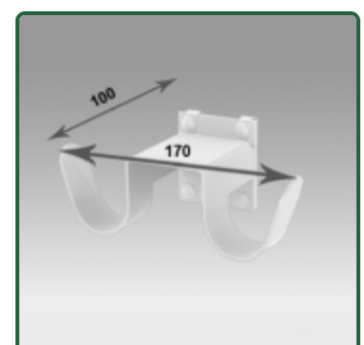
Large Service Basket
Mounting on Wall Rail

Part Number: 999.154



Small Service Basket
Mounting on Wall Rail

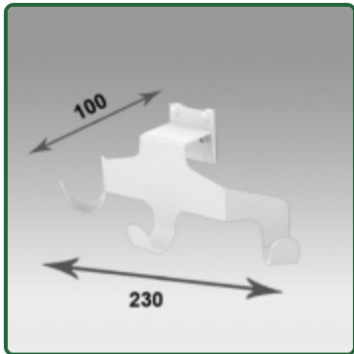
Part Number: 999.155



Double cable hooks Mounting
on Wall Rail

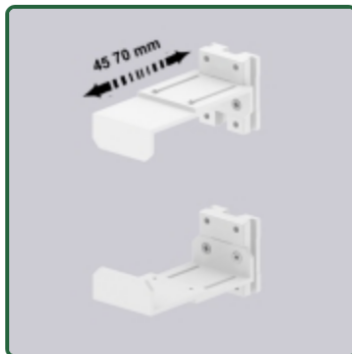
Part Number: 999.156

Medical Monitor Arms Wall Vertical Rail Mount Mandatory and Optional Accessories Overview



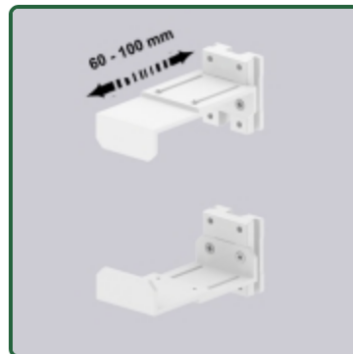
Triple cable hooks, mounting on Wall Rail

Part Number: 999.157



CPU holder Adjustable
45-70 mm
mounting on Wall Rail

Part Number: 999.158



CPU holder Adjustable
60-100 mm
mounting on Wall Rail

Part Number: 999.159



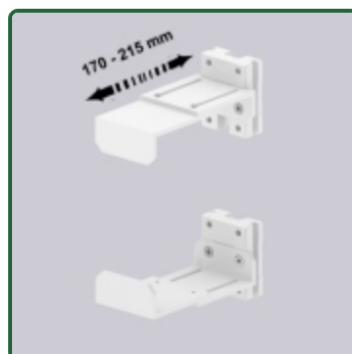
CPU holder Adjustable
85-150 mm
mounting on Wall Rail

Part Number: 999.160



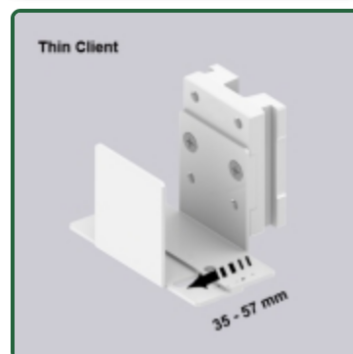
CPU holder Adjustable
130-170 mm mounting on
Wall Rail

Part Number: 999.161



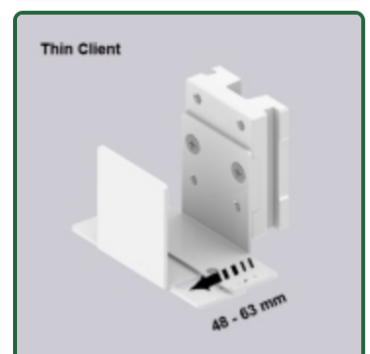
CPU holder Adjustable
170-215 mm mounting on
Wall Rail

Part Number: 999.162



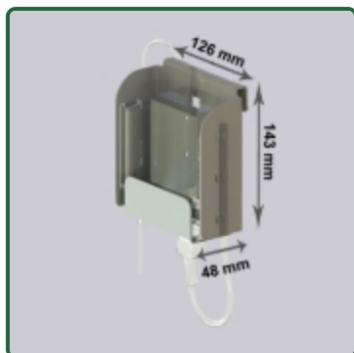
Universal Stand Adjustable
35-57 mm mounting on Wall
Rail

Part Number: 999.163



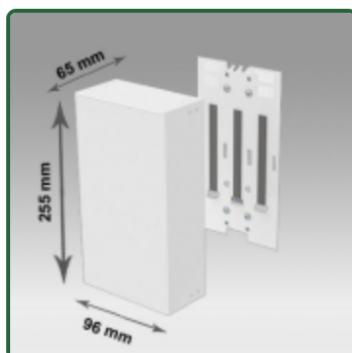
Universal Stand Adjustable
48-63 mm mounting on Wall
Rail

Part Number: 999.164

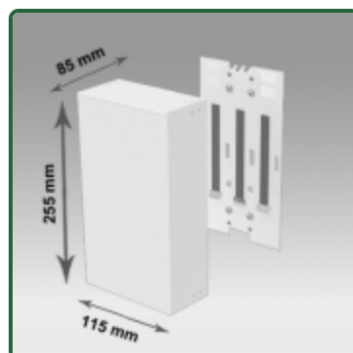


Power supply stand
Mounting on Wall Rail

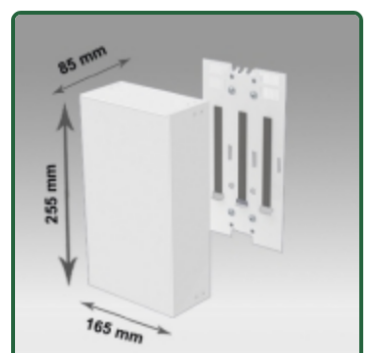
Part Number: 999.165



Electrical power supply box
255 x 96 x 65 mm
Mounting on Wall Rail
Part Number: 999.166

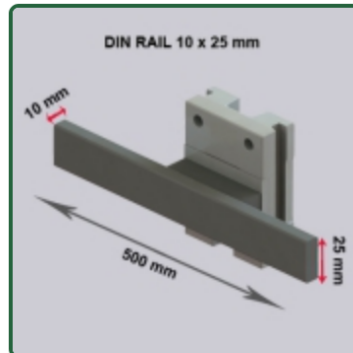
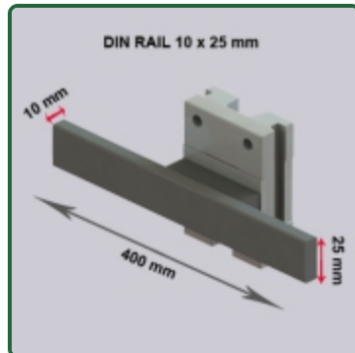
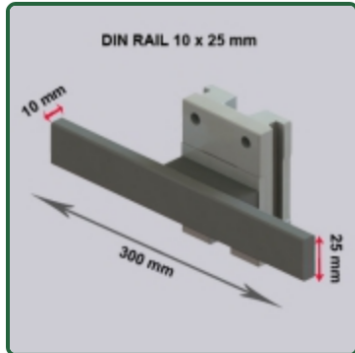


Electrical power supply box
255 x 115 x 85 mm
Mounting on Wall Rail
Part Number: 999.167



Electrical power supply box
255 x 165 x 85 mm
Mounting on Wall Rail
Part Number: 999.168

Medical Monitor Arms Wall Vertical Rail Mount Mandatory and Optional Accessories Overview

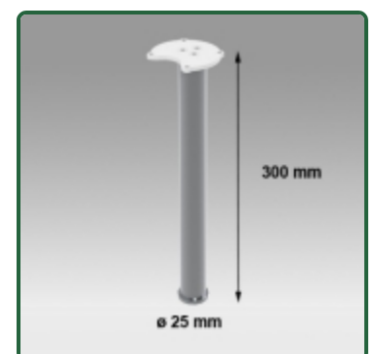
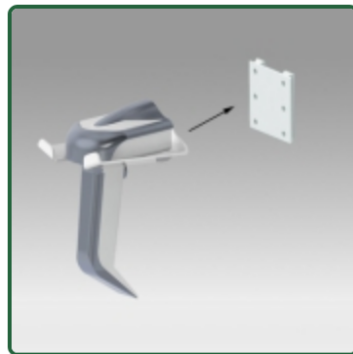


Din Rail 10 x 25 mm.
Length of 300 mm
Mounting on Wall Rail
Référence: 999.169

Din Rail 10 x 25 mm.
Length of 400 mm
Mounting on Wall Rail
Référence: 999.170

Din Rail 10 x 25 mm.
Length of 500 mm
Mounting on Wall Rail
Référence: 999.171

Holder for 1 Bottle of Medical Gas
Mounting on Wall Rail
Référence: 999.172

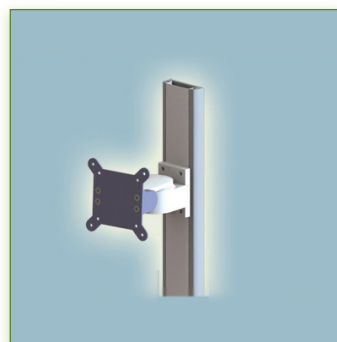
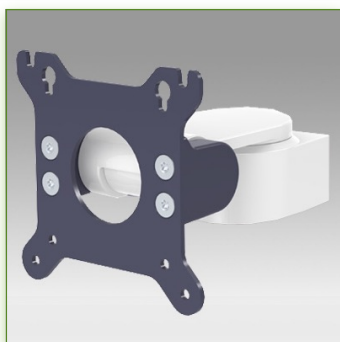
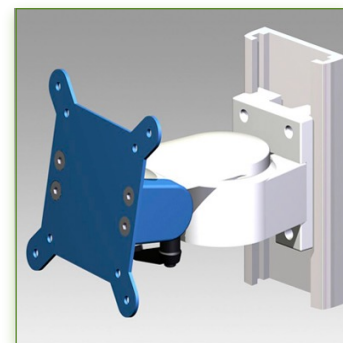
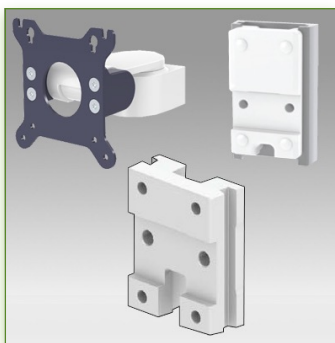
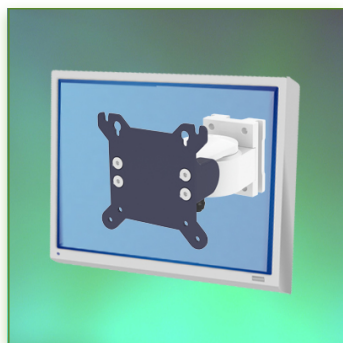


Holder for 2 Medical Gas Bottles
Mounting on Wall Rail
Part Number: 999.173

Holder for barcode hand scanner
Mounting on Wall Rail
Part Number: 999.174

15 cm bottom pole for height adjustable monitor arms
Part Number: 988.102

30 cm bottom pole for height adjustable monitor arms
Part Number: 988.103



Display Compatibility: 26" Wide (Weight)
Supported Weight: 18 Kg
VESA standard: 75 / 100 mm

100 mm Short Pivot Medical Arm for Display, wall mounting on vertical slide rail

This mini medical arm with short pivot of 100 mm makes it possible to fix, direct and adjust perfectly the LCD screen. It is coated with an anti-microbial agent offering hygiene and cleaning down to the last detail. Its modern design has been specially designed for healthcare environments.

Technical specifications:

- * Integrated cable channel
- * Optional Vertical Wall Slide Rail Mounting, including several lengths are available (480 mm - 720 mm - 960 mm - 1200 mm). These wall rails can be easily cut to size you want. All cables also pass through the wall rail. (See Option below)
- * This mini swivel arm simply fits into the wall rail for then adjust to the desired height and fixed. Rotary head.
- * The head of this mini arm complies with the screen mounting standard: VESA MIS-D 75 mm and 100 mm.
- * Compatible with screens whose weight does not exceed 18 Kg.
- * Touch screen stability.
- * Screen tilt: 50° down and 100° up
- * Screen rotation: 105° to the right, 105° to the left.
- * Total length 146 mm
- * Compatible with multimedia terminals (TMM)
- * Colour RAL 7024 (Graphite grey) and White
- * All our medical arms are in conformity: CE, ROHS, Medical Grade, Regulations MDD 93/42 ECC.
- * Warranty: 5 years

Note: This arm can also be installed on one of our medical columns or trolleys.

Up to 26" Wide (Weight)

VESA 75/100 mm

18 Kg



Do not hesitate to contact us if you have any questions about this product.



Warranty: 5 years



000.991.110



Graphite Grey and White



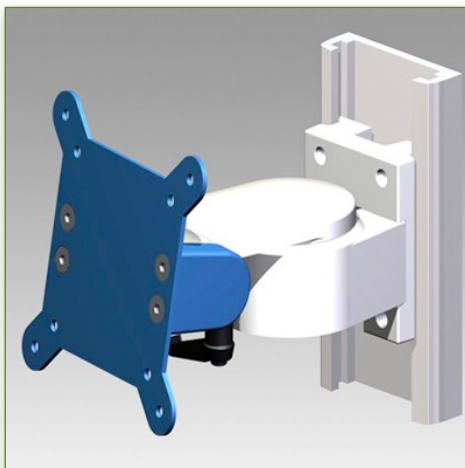
On Measure



= Depending on the elements



991.110



Display Compatibility: 26" Wide (Weight)
Supported Weight: 18 Kg
VESA standard: 75 / 100 mm



Up to 26" Wide (Weight)



75/100 mm



18 Kg



Medical Grade



Do not hesitate to contact us if you have any questions about this product.



Warranty: 5 years



000.991.110



Graphite Grey and White



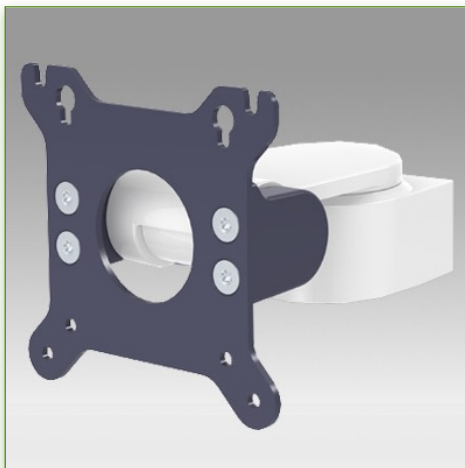
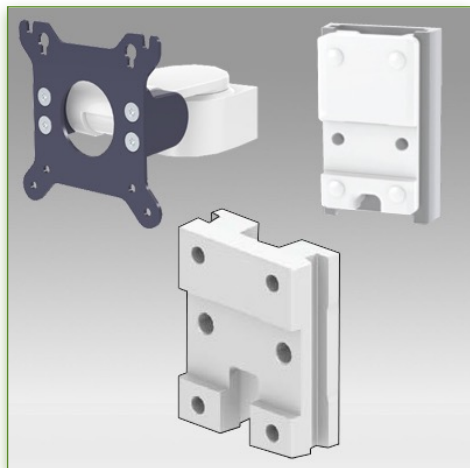
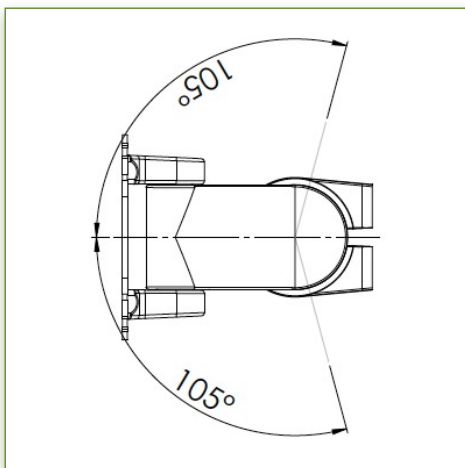
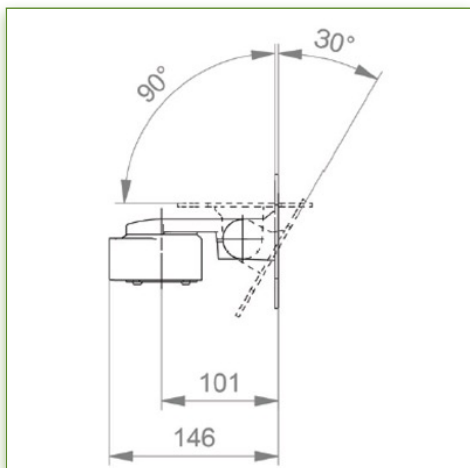
On Measure



= Depending on the elements



991.110

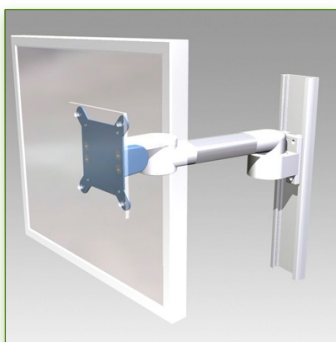
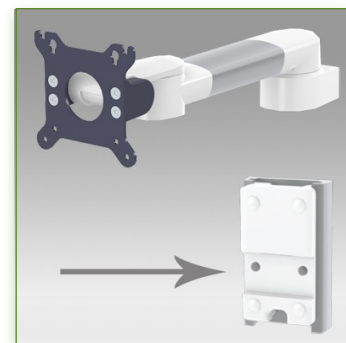
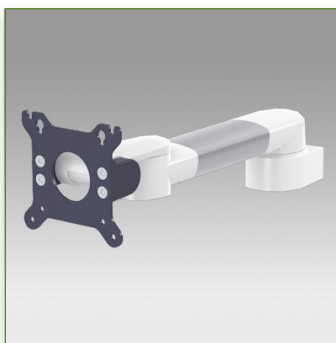
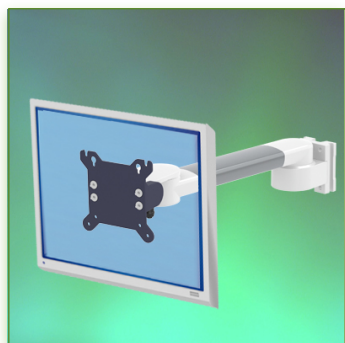


Anti-bacterial properties:

IT medical arms are now designed with Microban antibacterial protection, a revolutionary treatment that guarantees optimal hygiene. IT medical arms integrate Microban and other antibacterial agents into all medical products. It inhibits the growth of bacteria of all types. This is not a surface treatment.

It is 100% in the totality of the product. It does not alter the physico-mechanical properties of the medical arm lift system. Simulations over 30 years show that 100% of the antibacterial properties are maintained.

All medical articulated arms incorporate Microban. Microban is the world's leading provider of anti-bacterial solutions. It has been successfully applied for more than 35 years in a wide range of products used in the hospital, construction and food industries.



Display Compatibility: 26" Wide (Weight)
Supported Weight: 18 Kg
VESA standard: 75 / 100 mm

Up to 26" Wide (Weight)
75/100 mm
18 Kg

Do not hesitate to contact us if you have any questions about this product.

Warranty: 5 years

000.991.504

Graphite Grey and White

On Measure

= Depending on the elements

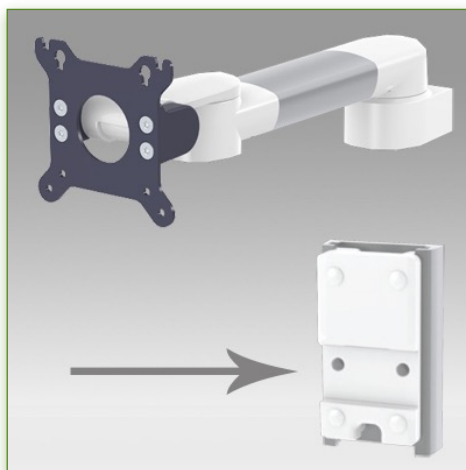
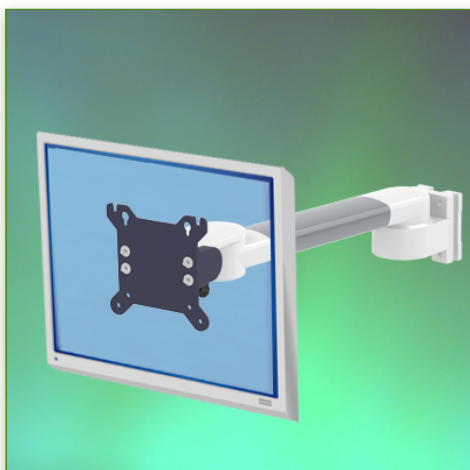
991.504

240 mm Horizontal Medical Monitor Arm, wall mounting on vertical slide rail

This 240 mm Horizontal Arm allows the LCD screen to be perfectly fixed, oriented and adjusted. It is coated with an anti-microbial agent offering hygiene and cleaning down to the last detail. Its modern design has been specially designed for healthcare environments.

Technical specifications:

- * Integrated cable channel
 - * Optional Vertical Wall Slide Rail Mounting, including several lengths are available (480 mm - 720 mm - 960 mm - 1200 mm). These wall rails can be easily cut to size you want. All cables also pass through the wall rail. (See Option below)
 - * This 240 mm Horizontal Arm simply slips into the wall Rail and then adjust to the desired height and fixed. He doesn't own height adjustment.
 - * The head of this arm complies with the screen mounting standard: VESA MIS-D 75 mm and 100 mm. Rotary head.
 - * Compatible with screens whose weight does not exceed 18 Kg.
 - * Touch screen stability.
 - * Screen tilt: 50° down and 100° up
 - * Screen rotation: 110° right, 110° left.
 - * Arm rotation: 105° to the right, 105° to the left.
 - * Total length 311 mm
 - * Compatible with multimedia terminals (TMM)
 - * Colour RAL 7024 (Graphite grey) and White
 - * All our medical arms are in conformity: CE, ROHS, Medical Grade, Regulations MDD 93/42 ECC.
 - * Warranty: 5 years
- Note: This arm can also be installed on one of our medical columns or trolleys.



Display Compatibility: 26" Wide (Weight)
Supported Weight: 18 Kg
VESA standard: 75 / 100 mm



Up to 26" Wide (Weight)



75/100 mm



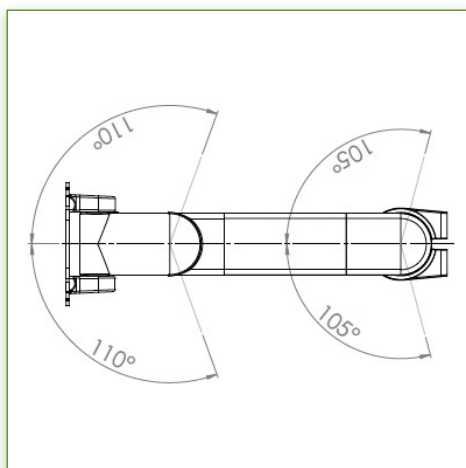
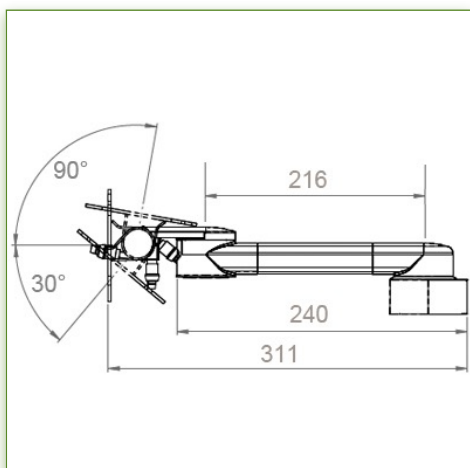
18 Kg



Medical Grade



Do not hesitate to contact us if you have any questions about this product.



Warranty: 5 years



000.991.504



Graphite Grey and White



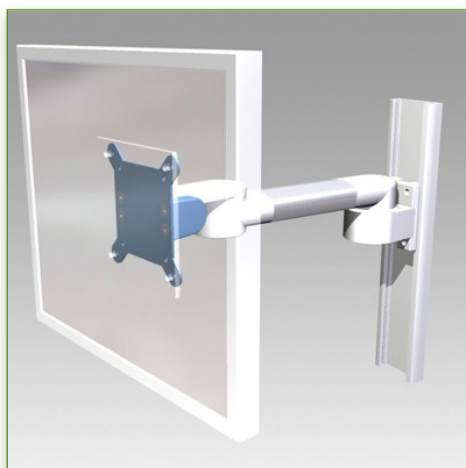
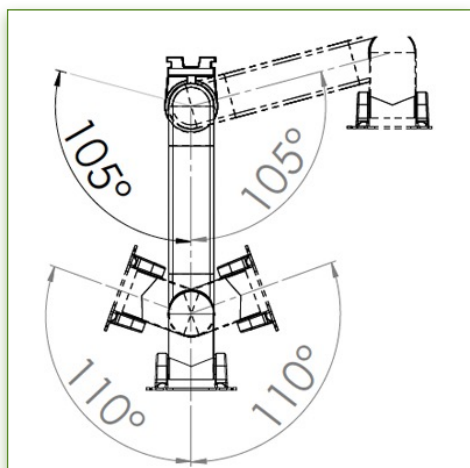
On Measure



= Depending on the elements



991.504

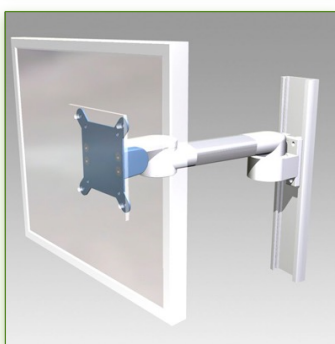
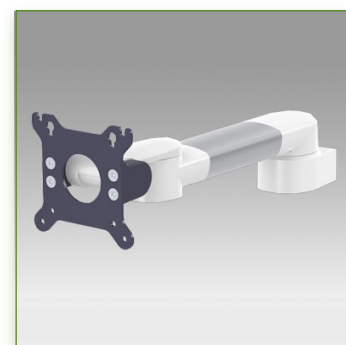
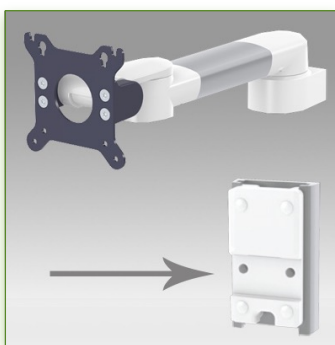
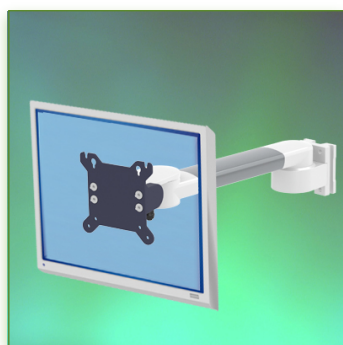


Anti-bacterial properties:

IT medical arms are now designed with Microban antibacterial protection, a revolutionary treatment that guarantees optimal hygiene. IT medical arms integrate Microban and other antibacterial agents into all medical products. It inhibits the growth of bacteria of all types. This is not a surface treatment.

It is 100% in the totality of the product. It does not alter the physico-mechanical properties of the medical arm lift system. Simulations over 30 years show that 100% of the antibacterial properties are maintained.

All medical articulated arms incorporate Microban. Microban is the world's leading provider of anti-bacterial solutions. It has been successfully applied for more than 35 years in a wide range of products used in the hospital, construction and food industries.



Display Compatibility: 26" Wide (Weight)
Supported Weight: 18 Kg
VESA standard: 75 / 100 mm

300 mm Horizontal Medical Monitor Arm, wall mounting on vertical slide rail

This 300 mm Horizontal Arm allows the LCD screen to be perfectly fixed, oriented and adjusted. It is coated with an anti-microbial agent offering hygiene and cleaning down to the last detail. Its modern design has been specially designed for healthcare environments.

Technical specifications:

- * Integrated cable channel
 - * Optional Vertical Wall Slide Rail Mounting, including several lengths are available (480 mm - 720 mm - 960 mm - 1200 mm). These wall rails can be easily cut to size you want. All cables also pass through the wall rail. (See Option below)
 - * This 300 mm Horizontal Arm simply slips into the wall rail and then adjust to the desired height and fixed. He doesn't own height adjustment.
 - * The head of this arm complies with the screen mounting standard: VESA MIS-D 75 mm and 100 mm. Rotary head.
 - * Compatible with screens whose weight does not exceed 18 Kg.
 - * Touch screen stability.
 - * Screen tilt: 50° down and 100° up
 - * Screen rotation: 110° right, 110° left.
 - * Arm rotation: 105° to the right, 105° to the left.
 - * Total length 371 mm
 - * Compatible with multimedia terminals (TMM)
 - * Colour RAL 7024 (Graphite grey) and White
 - * All our medical arms are in conformity: CE, ROHS, Medical Grade, Regulations MDD 93/42 ECC.
 - * Warranty: 5 years
- Note: This arm can also be installed on one of our medical columns or trolleys.

Up to 26" Wide (Weight)

VESA 75/100 mm

18 Kg



Do not hesitate to contact us if you have any questions about this product.

Warranty: 5 years

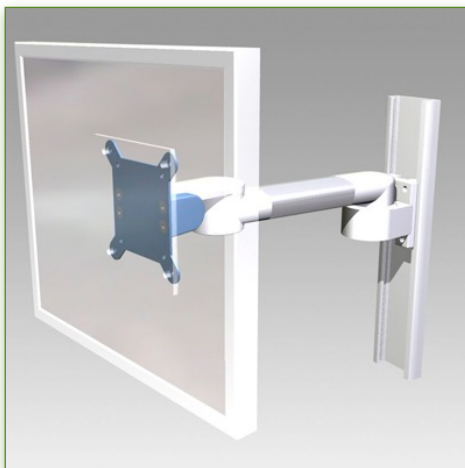
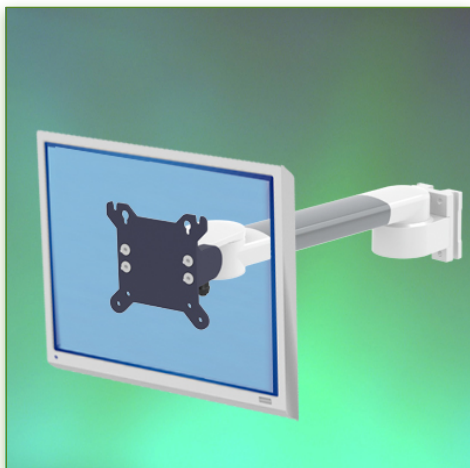
000.991.111

Graphite Grey and White

On Measure

= Depending on the elements

991.111



Display Compatibility: 26" Wide (Weight)
Supported Weight: 18 Kg
VESA standard: 75 / 100 mm



Up to 26" Wide (Weight)



75/100 mm



18 Kg



Medical Grade



Do not hesitate to contact us if you have any questions about this product.



Warranty: 5 years



000.991.111



Graphite Grey and White



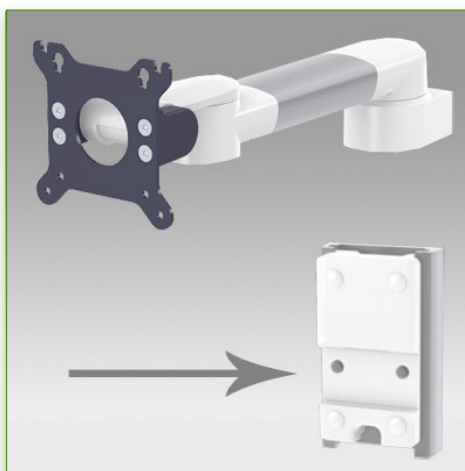
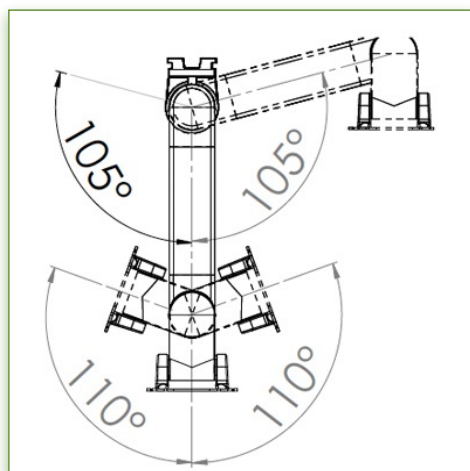
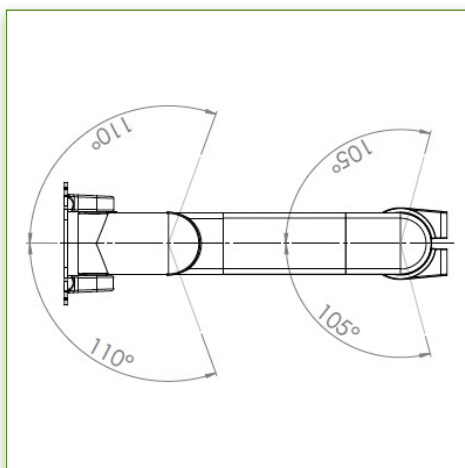
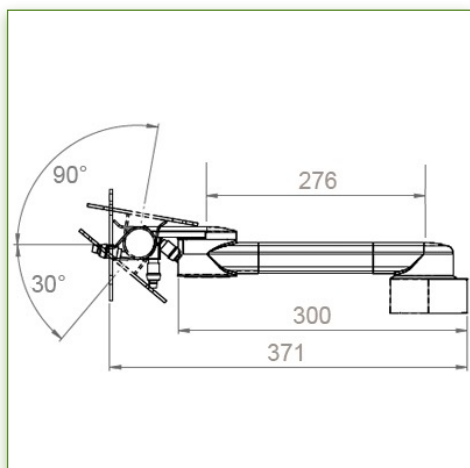
On Measure



= Depending on the elements



991.111

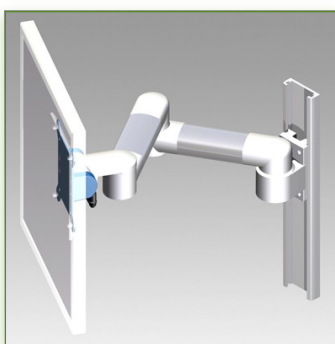
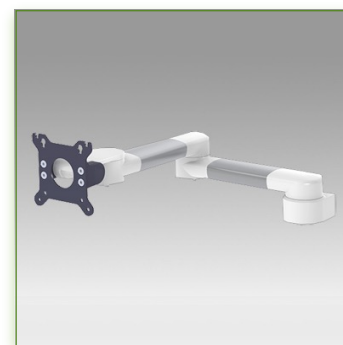
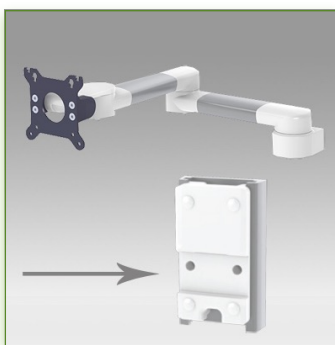
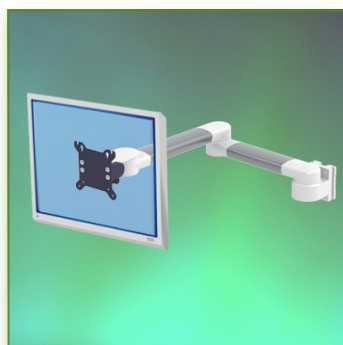


Anti-bacterial properties:

IT medical arms are now designed with Microban antibacterial protection, a revolutionary treatment that guarantees optimal hygiene. IT medical arms integrate Microban and other antibacterial agents into all medical products. It inhibits the growth of bacteria of all types. This is not a surface treatment.

It is 100% in the totality of the product. It does not alter the physico-mechanical properties of the medical arm lift system. Simulations over 30 years show that 100% of the antibacterial properties are maintained.

All medical articulated arms incorporate Microban. Microban is the world's leading provider of anti-bacterial solutions. It has been successfully applied for more than 35 years in a wide range of products used in the hospital, construction and food industries.



Display Compatibility: 26" Wide (Weight)
Supported Weight: 12,5 Kg
VESA standard: 75 / 100 mm

Up to 26" Wide (Weight)
75/100 mm
12,5 Kg

Do not hesitate to contact us if you have any questions about this product.

Warranty: 5 years

000.991.112

Graphite Grey and White

On Measure

= Depending on the elements

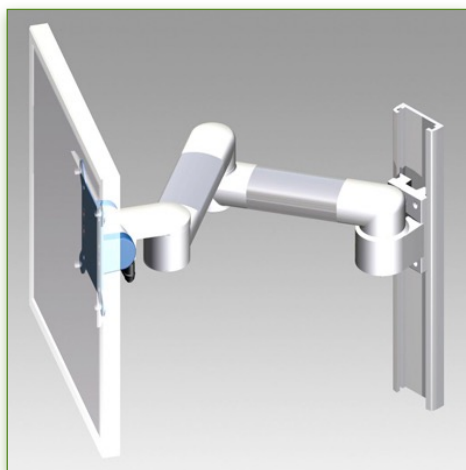
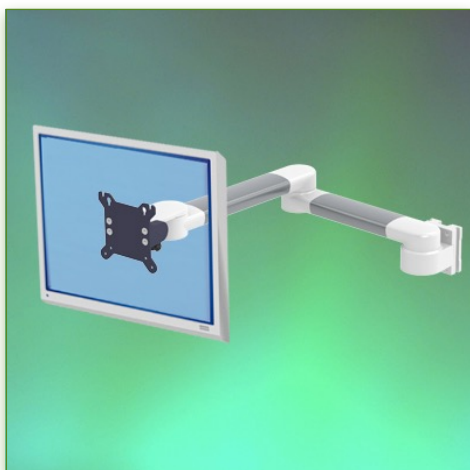
991.112

2 x 300 mm Horizontal Medical Monitor Arm, wall mounting on vertical slide rail

This 2 x 300 mm Horizontal Arm allows the LCD screen to be perfectly fixed, oriented and adjusted. It is coated with an anti-microbial agent offering hygiene and cleaning down to the last detail. Its modern design has been specially designed for healthcare environments.

Technical specifications:

- * Integrated cable channel
 - * Optional Vertical Wall Slide Rail Mounting, including several lengths are available (480 mm - 720 mm - 960 mm - 1200 mm). These wall rails can be easily cut to size you want. All cables also pass through the wall rail. (See Option below)
 - * This 2 x 300 mm Horizontal Arm simply slips into the wall rail and then adjust to the desired height and fixed. He doesn't own height adjustment.
 - * The head of this arm complies with the screen mounting standard: VESA MIS-D 75 mm and 100 mm. Rotary head.
 - * Compatible with screens whose weight does not exceed 12,5 Kg.
 - * Touch screen stability.
 - * Screen tilt: 50° down and 100° up
 - * Screen rotation: 110° right, 110° left.
 - * Arm rotation: 105° to the right, 105° to the left.
 - * Total length 604 mm
 - * Compatible with multimedia terminals (TMM)
 - * Colour RAL 7024 (Graphite grey) and White
 - * All our medical arms are in conformity: CE, ROHS, Medical Grade, Regulations MDD 93/42 ECC.
 - * Warranty: 5 years
- Note: This arm can also be installed on one of our medical columns or trolleys.



Display Compatibility: 26" Wide (Weight)
Supported Weight: 12,5 Kg
VESA standard: 75 / 100 mm



Up to 26" Wide (Weight)



75/100 mm



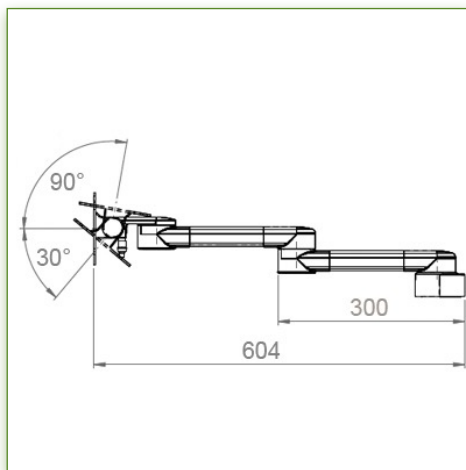
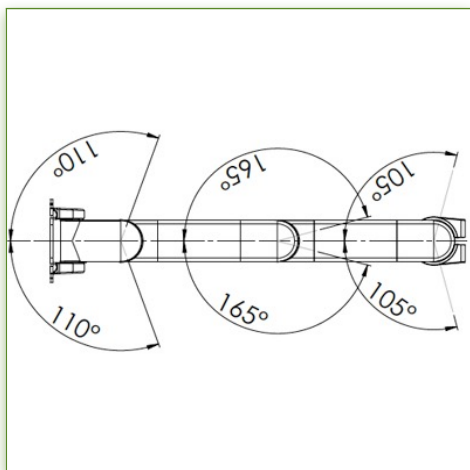
12,5 Kg



Medical Grade



Do not hesitate to contact us if you have any questions about this product.



Warranty: 5 years



000.991.112



Graphite Grey and White



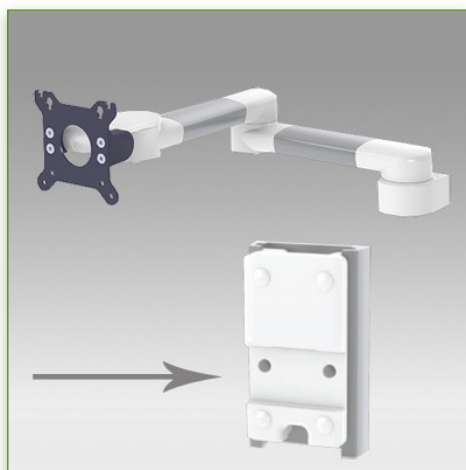
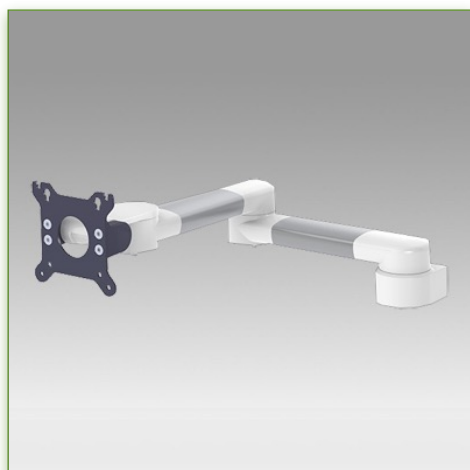
On Measure



= Depending on the elements



991.112



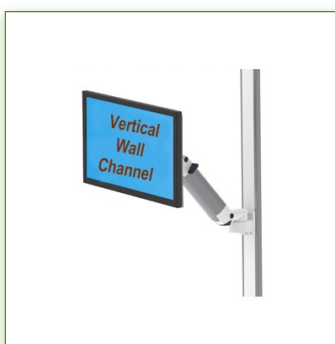
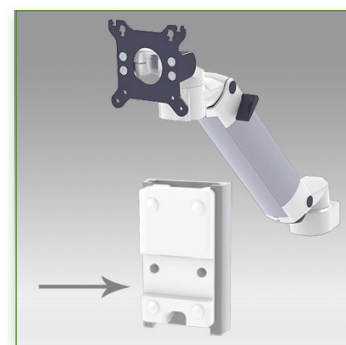
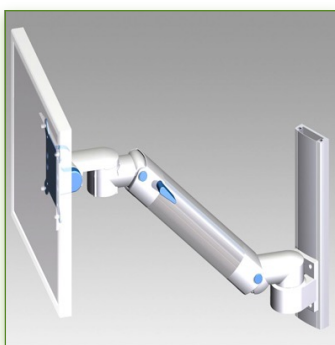
Anti-bacterial properties:

IT medical arms are now designed with Microban antibacterial protection, a revolutionary treatment that guarantees optimal hygiene. IT medical arms integrate Microban and other antibacterial agents into all medical products. It inhibits the growth of bacteria of all types. This is not a surface treatment.

It is 100% in the totality of the product.

It does not alter the physico-mechanical properties of the medical arm lift system. Simulations over 30 years show that 100% of the antibacterial properties are maintained.

All medical articulated arms incorporate Microban. Microban is the world's leading provider of anti-bacterial solutions. It has been successfully applied for more than 35 years in a wide range of products used in the hospital, construction and food industries.



300 mm height adjustable medical monitor arm, wall mounting on vertical slide rail

This 300 mm Horizontal Medical Arm with gas spring height adjustment allows the LCD screen to be perfectly fixed, oriented and adjusted. It is coated with an anti-microbial agent offering hygiene and cleaning down to the last detail. Its modern design has been specially designed for healthcare environments.

Technical specifications:

- * Integrated cable channel
 - * Equipotential bonding
 - * Optional Vertical Wall Slide Rail Mounting, including several lengths are available (480 mm - 720 mm - 960 mm - 1200 mm). These wall rails can be easily cut to size you want. All cables also pass through the wall rail. (See Option below)
 - * This 300 mm Horizontal arm with gas spring simply slips into the Wall Rail and then adjust to the desired height and fixed. It has a safety stop button for the height adjustment, which allows the arm to remain in the chosen position.
 - * The head of this arm complies with the screen mounting standard: VESA MIS-D 75 mm and 100 mm.
 - * Compatible with screens whose weight does not exceed 3-8 Kg.
 - * Touch screen stability.
 - * Screen tilt: 50° down and 100° up * Screen rotation: 110° right, 110° left.
 - * Arm rotation: 105° to the right, 105° to the left.
 - * Height adjustment: 45° down, 45° up * Total length 576 mm
 - * Compatible with multimedia terminals (TMM)
 - * Colour RAL 7024 (Graphite grey) and White * Warranty: 5 years
 - * All our medical arms are in conformity: CE, ROHS, Medical Grade, Regulations MDD 93/42 ECC
- Note: This arm can also be installed on one of our medical columns or trolleys.

Display Compatibility: 26" Wide (Weight)
Supported Weight: 3-8 Kg
VESA standard: 75 / 100 mm

Up to 26" Wide (Weight)
75/100 mm
3-8 Kg
MEDICAL GRADE

Do not hesitate to contact us if you have any questions about this product.

Warranty: 5 years

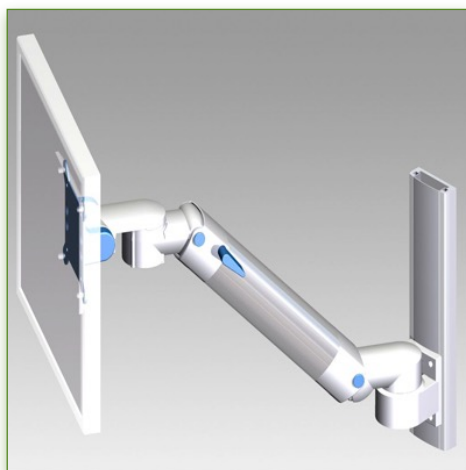
000.991.113-1

Graphite Grey and White

On Measure

= Depending on the elements

991.113-1



Display Compatibility: 26" Wide (Weight)
Supported Weight: 3-8 Kg
VESA standard: 75 / 100 mm



Up to 26" Wide (Weight)



75/100 mm



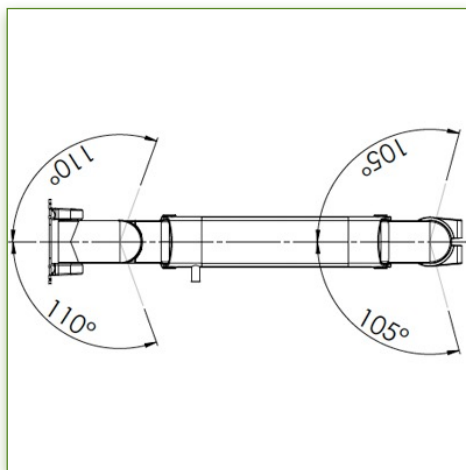
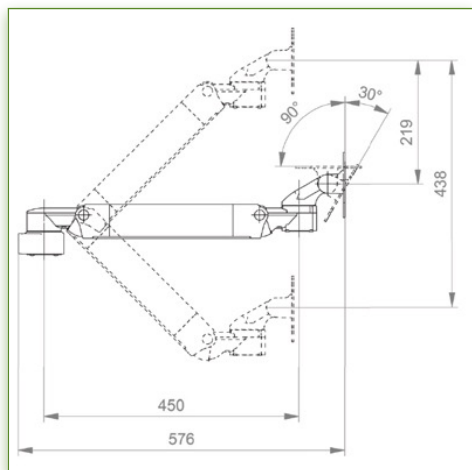
3-8 Kg



Medical Grade



Do not hesitate to contact us if you have any questions about this product.



Warranty: 5 years



000.991.113-1



Graphite Grey and White



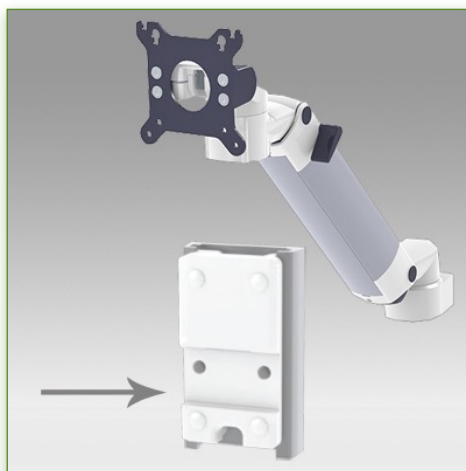
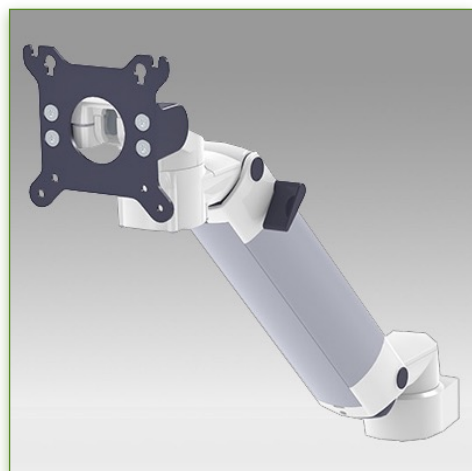
On Measure



= Depending on the elements



991.113-1

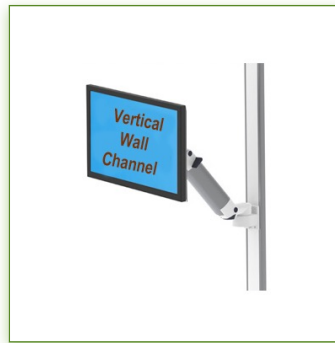
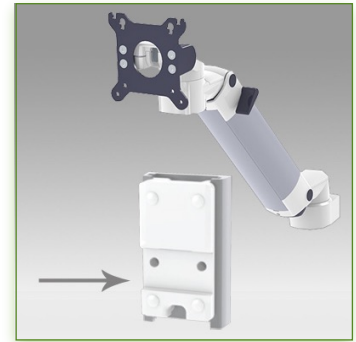
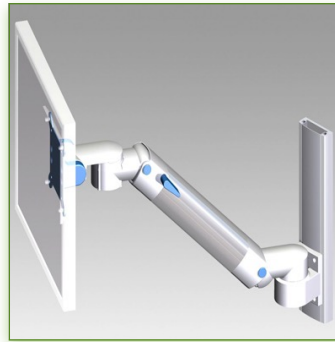


Anti-bacterial properties:

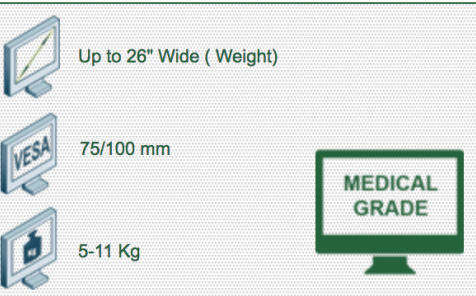
IT medical arms are now designed with Microban antibacterial protection, a revolutionary treatment that guarantees optimal hygiene. IT medical arms integrate Microban and other antibacterial agents into all medical products. It inhibits the growth of bacteria of all types. This is not a surface treatment.

It is 100% in the totality of the product. It does not alter the physico-mechanical properties of the medical arm lift system. Simulations over 30 years show that 100% of the antibacterial properties are maintained.

All medical articulated arms incorporate Microban. Microban is the world's leading provider of anti-bacterial solutions. It has been successfully applied for more than 35 years in a wide range of products used in the hospital, construction and food industries.



Display Compatibility: 26" Wide (Weight)
Supported Weight: 5-11 Kg
VESA standard: 75 / 100 mm



300 mm height adjustable medical monitor arm, wall mounting on vertical slide rail

This 300 mm Horizontal Medical Arm with gas spring height adjustment allows the LCD screen to be perfectly fixed, oriented and adjusted. It is coated with an anti-microbial agent offering hygiene and cleaning down to the last detail. Its modern design has been specially designed for healthcare environments.

Technical specifications:

- * Integrated cable channel
 - * Equipotential bonding
 - * Optional Vertical Wall Slide Rail Mounting, including several lengths are available (480 mm - 720 mm - 960 mm - 1200 mm). These wall rails can be easily cut to size you want. All cables also pass through the wall rail. (See Option below)
 - * This 300 mm Horizontal arm with gas spring simply slips into the Wall Rail and then adjust to the desired height and fixed. It has a safety stop button for the height adjustment, which allows the arm to remain in the chosen position.
 - * The head of this arm complies with the screen mounting standard: VESA MIS-D 75 mm and 100 mm.
 - * Compatible with screens whose weight does not exceed 5-11 Kg.
 - * Touch screen stability.
 - * Screen tilt: 50° down and 100° up * Screen rotation: 110° right, 110° left.
 - * Arm rotation: 105° to the right, 105° to the left.
 - * Height adjustment: 45° down, 45° up * Total length 576 mm
 - * Compatible with multimedia terminals (TMM)
 - * Colour RAL 7024 (Graphite grey) and White * Warranty: 5 years
 - * All our medical arms are in conformity: CE, ROHS, Medical Grade, Regulations MDD 93/42 ECC
- Note: This arm can also be installed on one of our medical columns or trolleys.

Do not hesitate to contact us if you have any questions about this product.

Warranty: 5 years

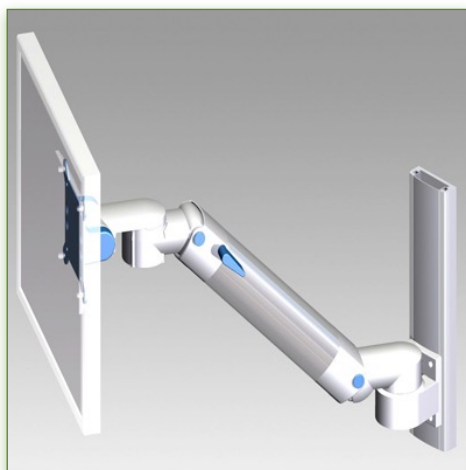
000.991.113-2

Graphite Grey and White

On Measure

= Depending on the elements

991.113-2



Display Compatibility: 26" Wide (Weight)
Supported Weight: 5-11 Kg
VESA standard: 75 / 100 mm



Up to 26" Wide (Weight)



75/100 mm



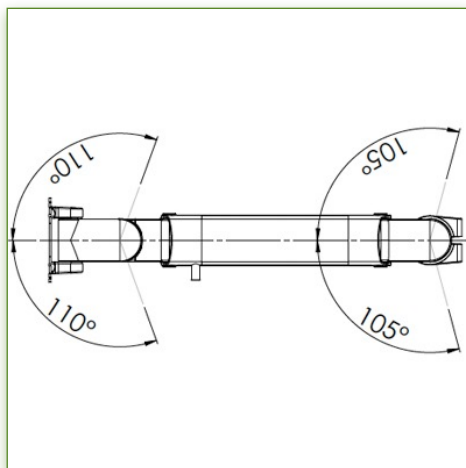
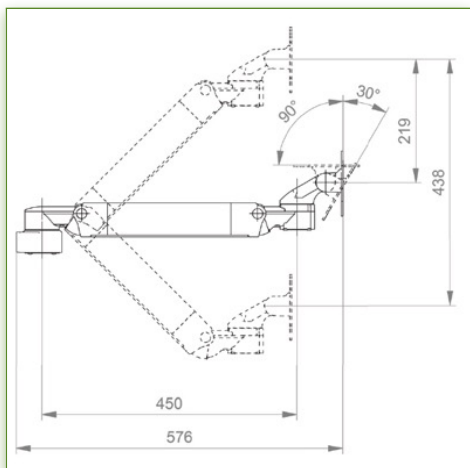
5-11 Kg



Medical Grade



Do not hesitate to contact us if you have any questions about this product.



Warranty: 5 years



000.991.113-2



Graphite Grey and White



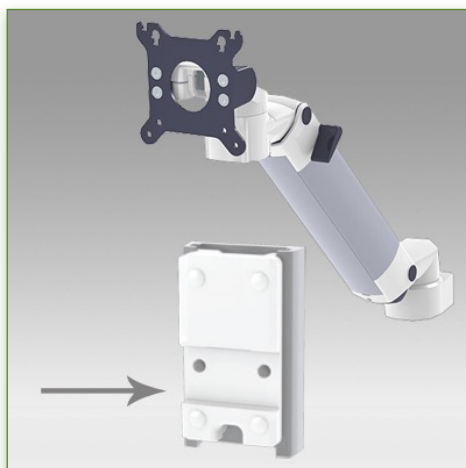
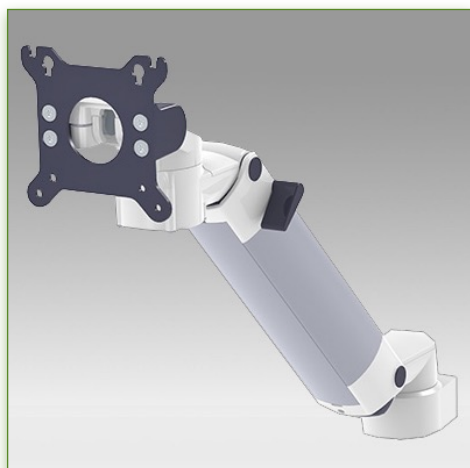
On Measure



= Depending on the elements



991.113-2

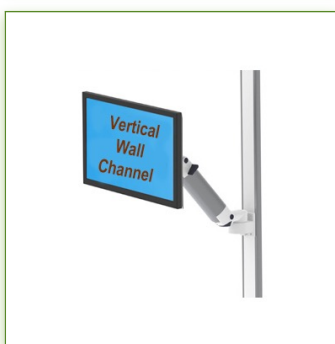
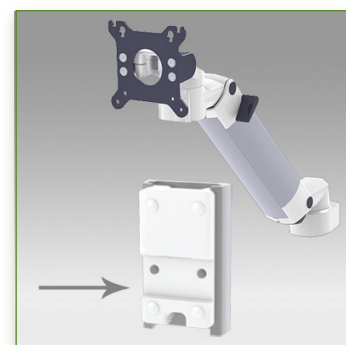
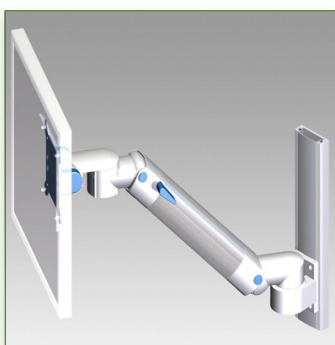


Anti-bacterial properties:

IT medical arms are now designed with Microban antibacterial protection, a revolutionary treatment that guarantees optimal hygiene. IT medical arms integrate Microban and other antibacterial agents into all medical products. It inhibits the growth of bacteria of all types. This is not a surface treatment.

It is 100% in the totality of the product. It does not alter the physico-mechanical properties of the medical arm lift system. Simulations over 30 years show that 100% of the antibacterial properties are maintained.

All medical articulated arms incorporate Microban. Microban is the world's leading provider of anti-bacterial solutions. It has been successfully applied for more than 35 years in a wide range of products used in the hospital, construction and food industries.



Display Compatibility: 26" Wide (Weight)
Supported Weight: 9-14 Kg
VESA standard: 75 / 100 mm

Up to 26" Wide (Weight)
75/100 mm
9-14 Kg

Do not hesitate to contact us if you have any questions about this product.

Warranty: 5 years

000.991.113-3

Graphite Grey and White

On Measure

= Depending on the elements

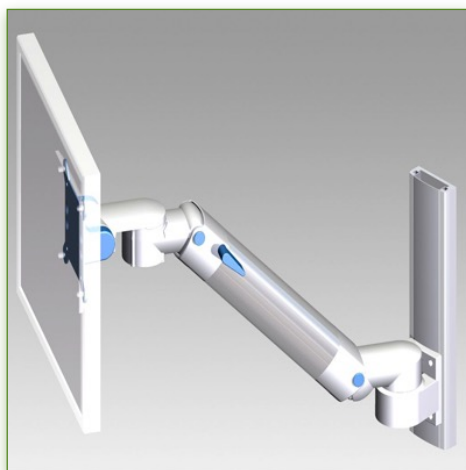
991.113-3

300 mm height adjustable medical monitor arm, wall mounting on vertical slide rail

This 300 mm Horizontal Medical Arm with gas spring height adjustment allows the LCD screen to be perfectly fixed, oriented and adjusted. It is coated with an anti-microbial agent offering hygiene and cleaning down to the last detail. Its modern design has been specially designed for healthcare environments.

Technical specifications:

- * Integrated cable channel
 - * Equipotential bonding
 - * Optional Vertical Wall Slide Rail Mounting, including several lengths are available (480 mm - 720 mm - 960 mm - 1200 mm). These wall rails can be easily cut to size you want. All cables also pass through the wall rail. (See Option below)
 - * This 300 mm Horizontal arm with gas spring simply slips into the Wall Rail and then adjust to the desired height and fixed. It has a safety stop button for the height adjustment, which allows the arm to remain in the chosen position.
 - * The head of this arm complies with the screen mounting standard: VESA MIS-D 75 mm and 100 mm.
 - * Compatible with screens whose weight does not exceed 9-14 Kg.
 - * Touch screen stability.
 - * Screen tilt: 50° down and 100° up * Screen rotation: 110° right, 110° left.
 - * Arm rotation: 105° to the right, 105° to the left.
 - * Height adjustment: 45° down, 45° up * Total length 576 mm
 - * Compatible with multimedia terminals (TMM)
 - * Colour RAL 7024 (Graphite grey) and White * Warranty: 5 years
 - * All our medical arms are in conformity: CE, ROHS, Medical Grade, Regulations MDD 93/42 ECC
- Note: This arm can also be installed on one of our medical columns or trolleys.



Display Compatibility: 26" Wide (Weight)
Supported Weight: 9-14 Kg
VESA standard: 75 / 100 mm



Up to 26" Wide (Weight)



75/100 mm



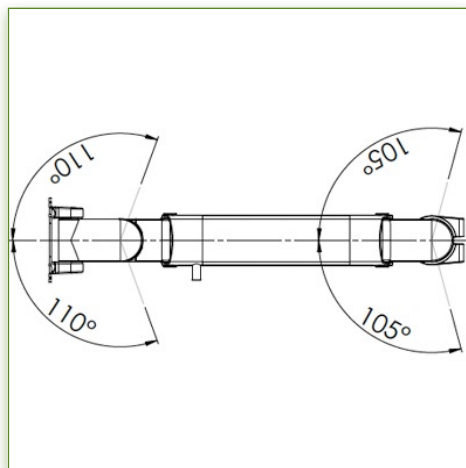
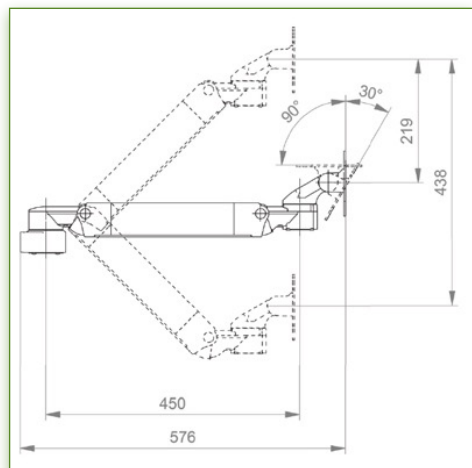
9-14 Kg



Medical Grade



Do not hesitate to contact us if you have any questions about this product.



Warranty: 5 years



000.991.113-3



Graphite Grey and White



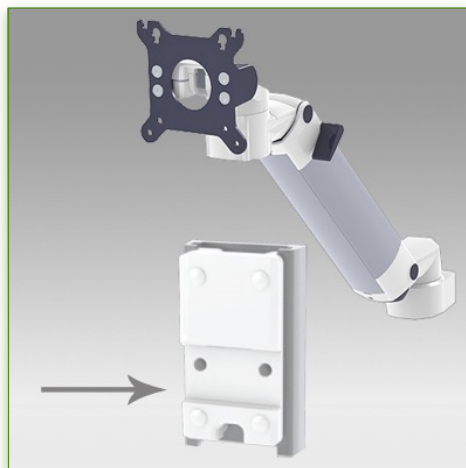
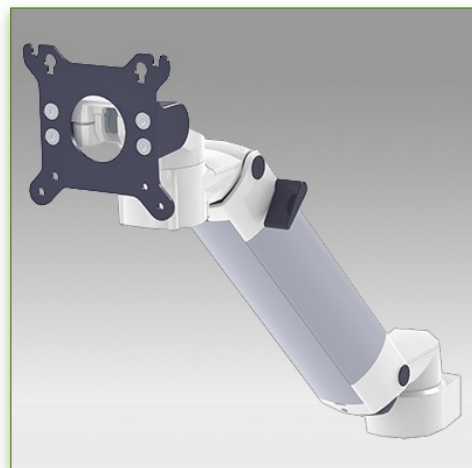
On Measure



= Depending on the elements



991.113-3

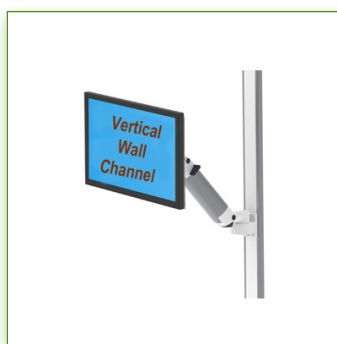
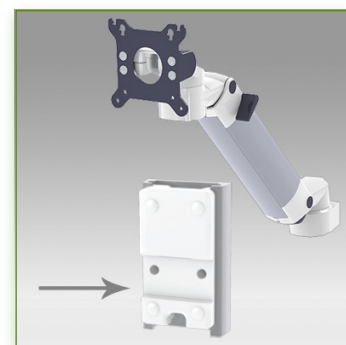
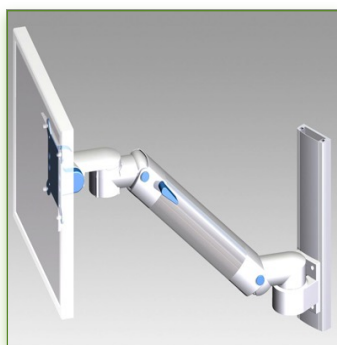


Anti-bacterial properties:

IT medical arms are now designed with Microban antibacterial protection, a revolutionary treatment that guarantees optimal hygiene. IT medical arms integrate Microban and other antibacterial agents into all medical products. It inhibits the growth of bacteria of all types. This is not a surface treatment.

It is 100% in the totality of the product. It does not alter the physico-mechanical properties of the medical arm lift system. Simulations over 30 years show that 100% of the antibacterial properties are maintained.

All medical articulated arms incorporate Microban. Microban is the world's leading provider of anti-bacterial solutions. It has been successfully applied for more than 35 years in a wide range of products used in the hospital, construction and food industries.



Display Compatibility: 26" Wide (Weight)
Supported Weight: 13-18 Kg
VESA standard: 75 / 100 mm

Up to 26" Wide (Weight)
75/100 mm
13-18 Kg

MEDICAL GRADE

Do not hesitate to contact us if you have any questions about this product.

Warranty: 5 years

000.991.113-4

Graphite Grey and White

On Measure

= Depending on the elements

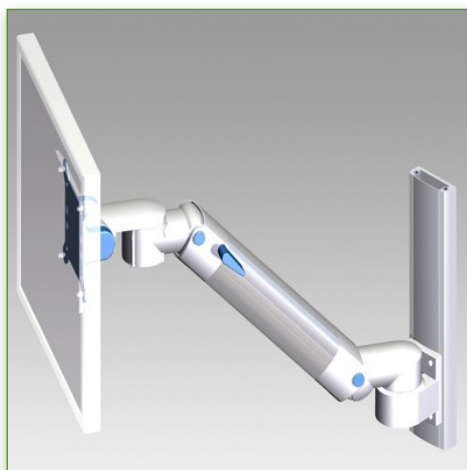
991.113-4

300 mm height adjustable medical monitor arm, wall mounting on vertical slide rail

This 300 mm Horizontal Medical Arm with gas spring height adjustment allows the LCD screen to be perfectly fixed, oriented and adjusted. It is coated with an anti-microbial agent offering hygiene and cleaning down to the last detail. Its modern design has been specially designed for healthcare environments.

Technical specifications:

- * Integrated cable channel
 - * Equipotential bonding
 - * Optional Vertical Wall Slide Rail Mounting, including several lengths are available (480 mm - 720 mm - 960 mm - 1200 mm). These wall rails can be easily cut to size you want. All cables also pass through the wall rail. (See Option below)
 - * This 300 mm Horizontal arm with gas spring simply slips into the Wall Rail and then adjust to the desired height and fixed. It has a safety stop button for the height adjustment, which allows the arm to remain in the chosen position.
 - * The head of this arm complies with the screen mounting standard: VESA MIS-D 75 mm and 100 mm.
 - * Compatible with screens whose weight does not exceed 13-18 Kg.
 - * Touch screen stability.
 - * Screen tilt: 50° down and 100° up * Screen rotation: 110° right, 110° left.
 - * Arm rotation: 105° to the right, 105° to the left.
 - * Height adjustment: 45° down, 45° up * Total length 576 mm
 - * Compatible with multimedia terminals (TMM)
 - * Colour RAL 7024 (Graphite grey) and White * Warranty: 5 years
 - * All our medical arms are in conformity: CE, ROHS, Medical Grade, Regulations MDD 93/42 ECC
- Note: This arm can also be installed on one of our medical columns or trolleys.



Display Compatibility: 26" Wide (Weight)
Supported Weight: 13-18 Kg
VESA standard: 75 / 100 mm



Up to 26" Wide (Weight)



75/100 mm



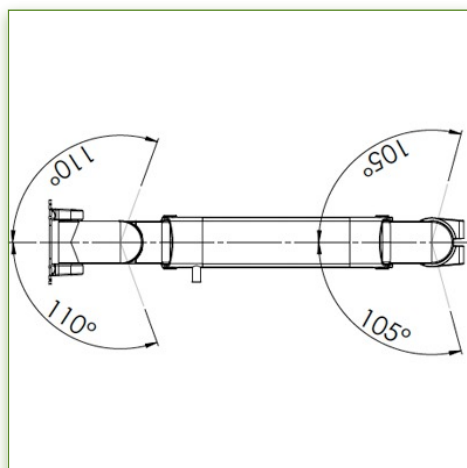
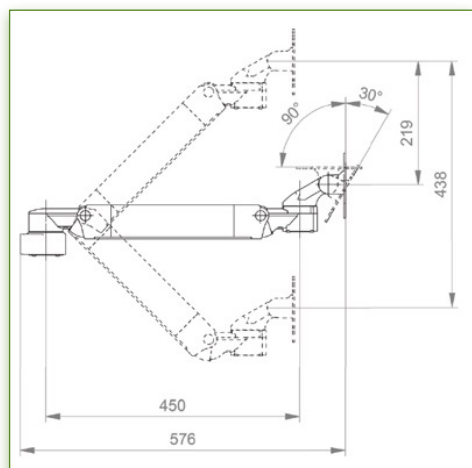
13-18 Kg



Medical Grade



Do not hesitate to contact us if you have any questions about this product.



Warranty: 5 years



000.991.113-4



Graphite Grey and White



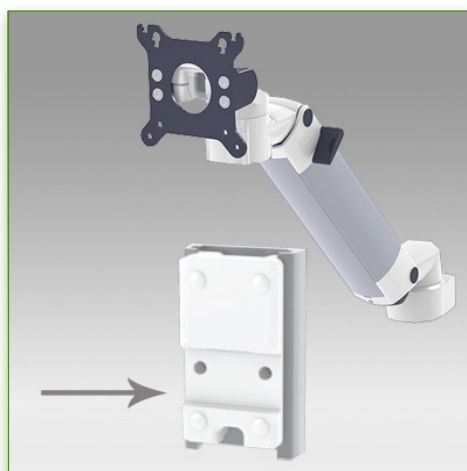
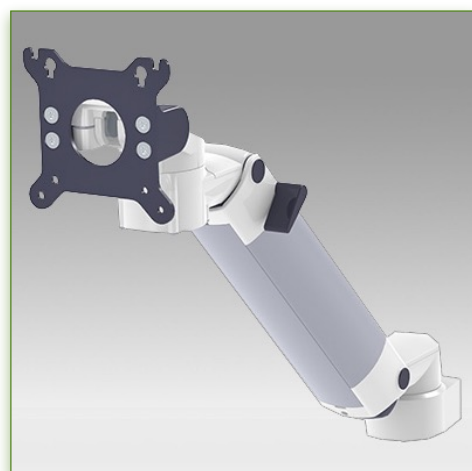
On Measure



= Depending on the elements



991.113-4



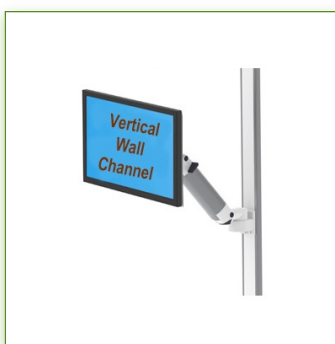
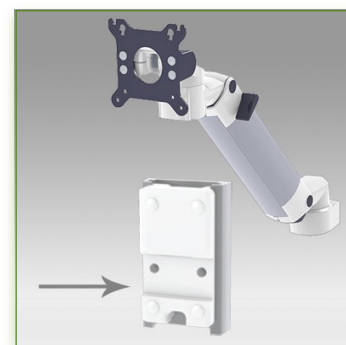
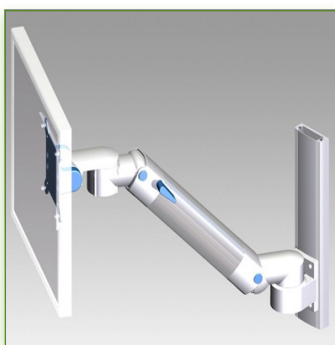
Anti-bacterial properties:

IT medical arms are now designed with Microban antibacterial protection, a revolutionary treatment that guarantees optimal hygiene. IT medical arms integrate Microban and other antibacterial agents into all medical products. It inhibits the growth of bacteria of all types. This is not a surface treatment.

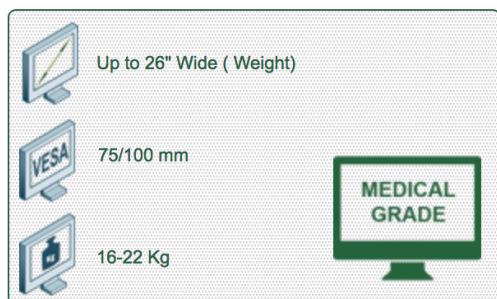
It is 100% in the totality of the product.

It does not alter the physico-mechanical properties of the medical arm lift system. Simulations over 30 years show that 100% of the antibacterial properties are maintained.

All medical articulated arms incorporate Microban. Microban is the world's leading provider of anti-bacterial solutions. It has been successfully applied for more than 35 years in a wide range of products used in the hospital, construction and food industries.



Display Compatibility: 26" Wide (Weight)
Supported Weight: 16-22 Kg
VESA standard: 75 / 100 mm



Do not hesitate to contact us if you have any questions about this product.

Warranty: 5 years

000.991.113-5

Graphite Grey and White

On Measure

= Depending on the elements

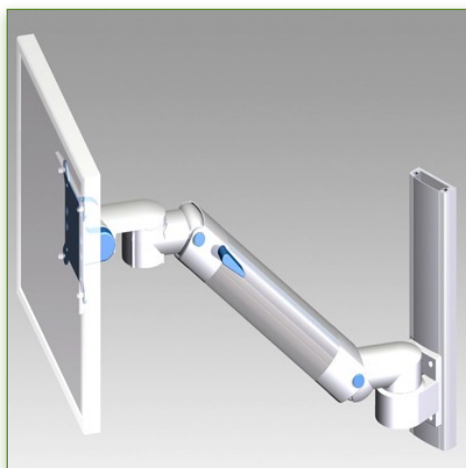
991.113-5

300 mm height adjustable medical monitor arm, wall mounting on vertical slide rail

This 300 mm Horizontal Medical Arm with gas spring height adjustment allows the LCD screen to be perfectly fixed, oriented and adjusted. It is coated with an anti-microbial agent offering hygiene and cleaning down to the last detail. Its modern design has been specially designed for healthcare environments.

Technical specifications:

- * Integrated cable channel
 - * Equipotential bonding
 - * Optional Vertical Wall Slide Rail Mounting, including several lengths are available (480 mm - 720 mm - 960 mm - 1200 mm). These wall rails can be easily cut to size you want. All cables also pass through the wall rail. (See Option below)
 - * This 300 mm Horizontal arm with gas spring simply slips into the Wall Rail and then adjust to the desired height and fixed. It has a safety stop button for the height adjustment, which allows the arm to remain in the chosen position.
 - * The head of this arm complies with the screen mounting standard: VESA MIS-D 75 mm and 100 mm.
 - * Compatible with screens whose weight does not exceed 16-22 Kg.
 - * Touch screen stability.
 - * Screen tilt: 50° down and 100° up * Screen rotation: 110° right, 110° left.
 - * Arm rotation: 105° to the right, 105° to the left.
 - * Height adjustment: 45° down, 45° up * Total length 576 mm
 - * Compatible with multimedia terminals (TMM)
 - * Colour RAL 7024 (Graphite grey) and White * Warranty: 5 years
 - * All our medical arms are in conformity: CE, ROHS, Medical Grade, Regulations MDD 93/42 ECC
- Note: This arm can also be installed on one of our medical columns or trolleys.



Display Compatibility: 26" Wide (Weight)
Supported Weight: 16-22 Kg
VESA standard: 75 / 100 mm



Up to 26" Wide (Weight)



75/100 mm



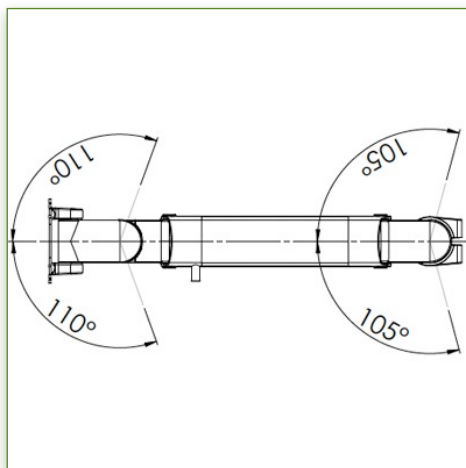
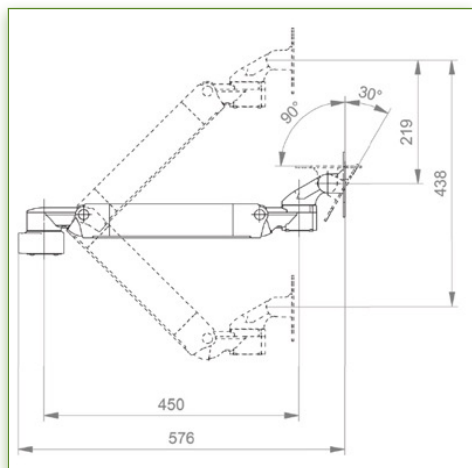
16-22 Kg



Medical Grade



Do not hesitate to contact us if you have any questions about this product.



Warranty: 5 years



000.991.113-5



Graphite Grey and White



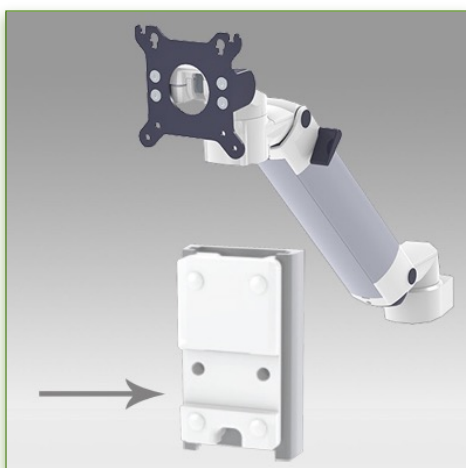
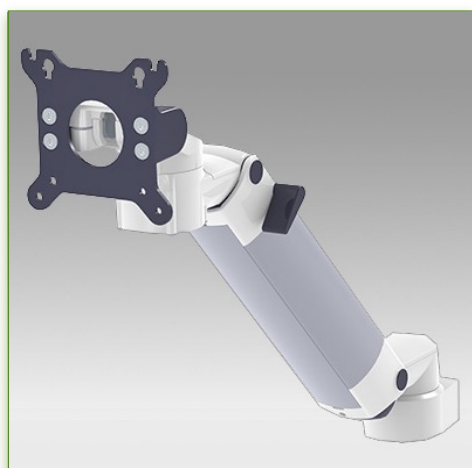
On Measure



= Depending on the elements



991.113-5

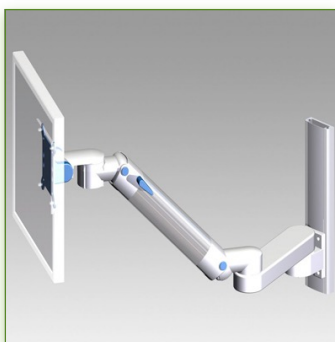
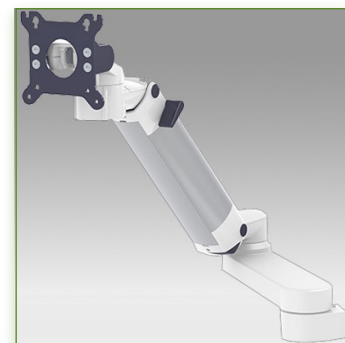
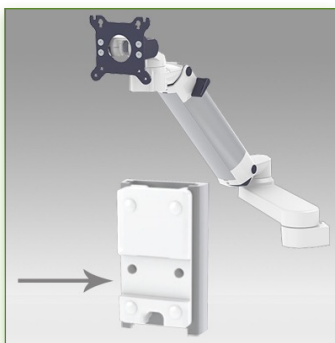
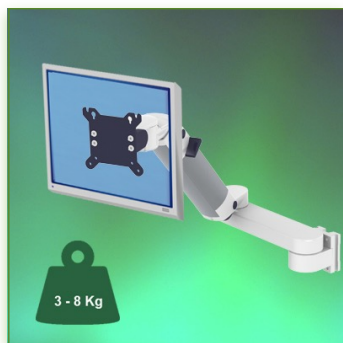


Anti-bacterial properties:

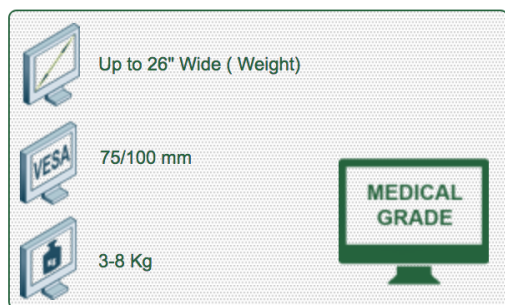
IT medical arms are now designed with Microban antibacterial protection, a revolutionary treatment that guarantees optimal hygiene. IT medical arms integrate Microban and other antibacterial agents into all medical products. It inhibits the growth of bacteria of all types. This is not a surface treatment.

It is 100% in the totality of the product. It does not alter the physico-mechanical properties of the medical arm lift system. Simulations over 30 years show that 100% of the antibacterial properties are maintained.

All medical articulated arms incorporate Microban. Microban is the world's leading provider of anti-bacterial solutions. It has been successfully applied for more than 35 years in a wide range of products used in the hospital, construction and food industries.



Display Compatibility: 26" Wide (Weight)
Weight Supported: 3-8 Kg
VESA standard: 75 / 100 mm



Do not hesitate to contact us if you have any questions about this product.

Warranty: 5 years

000.991.540-1

Graphite Grey and White

On Measure

= Depending on the elements

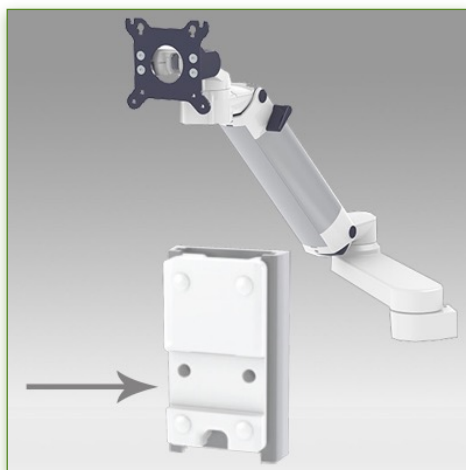
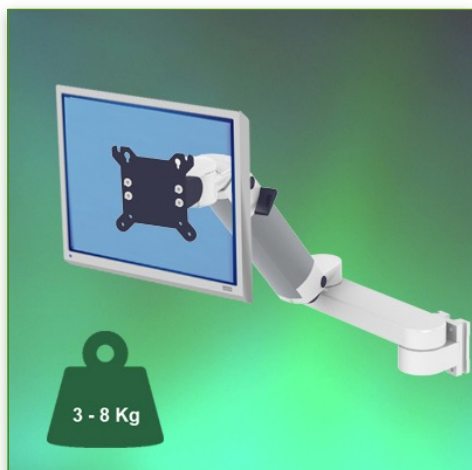
991.540-1

300 + 240 mm height adjustable medical monitor arm, wall mounting on vertical slide rail

This 300 + 240 mm Horizontal Medical Arm with gas spring height adjustment allows the LCD screen to be perfectly fixed, oriented and adjusted. It is coated with an anti-microbial agent offering hygiene and cleaning down to the last detail. Its modern design has been specially designed for healthcare environments.

Technical specifications:

- * Integrated cable channel
 - * Equipotential bonding
 - * Optional Vertical Wall Slide Rail Mounting, including several lengths are available (480 mm - 720 mm - 960 mm - 1200 mm). These wall rails can be easily cut to size you want. All cables also pass through the wall rail. (See Option below)
 - * This 300 + 240 mm Horizontal arm with gas spring simply slips into the wall rail and then adjust to the desired height and fixed. It has a safety stop button for the height adjustment, which allows the arm to remain in the chosen position.
 - * The head of this arm complies with the screen mounting standard: VESA MIS-D 75 mm and 100 mm.
 - * Compatible with screens whose weight does not exceed 3-8 Kg.
 - * Touch screen stability. * Screen tilt: 50° down and 100° up
 - * Screen rotation: 110° right, 110° left.
 - * Arm rotation: 105° to the right, 105° to the left.
 - * Height adjustment: 45° down, 45° up * Total length 806 mm
 - * Compatible with multimedia terminals (TMM)
 - * Colour RAL 7024 (Graphite grey) and White * Warranty: 5 years
 - * All our medical arms are in conformity: CE, ROHS, Medical Grade, Regulations MDD 93/42 ECC.
- Note: This arm can also be installed on one of our medical columns or trolleys.

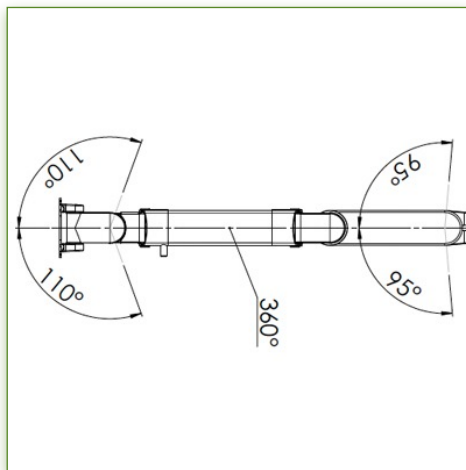
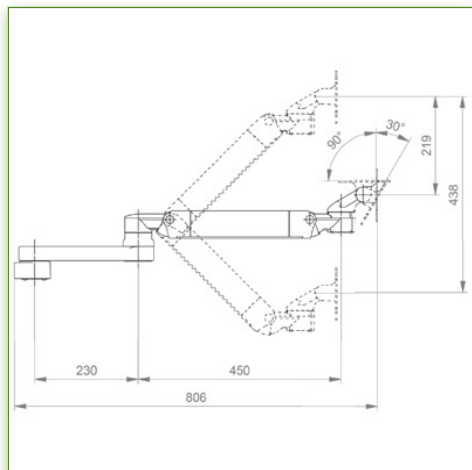


Display Compatibility: 26" Wide (Weight)
 Weight Supported: 3-8 Kg
 VESA standard: 75 / 100 mm

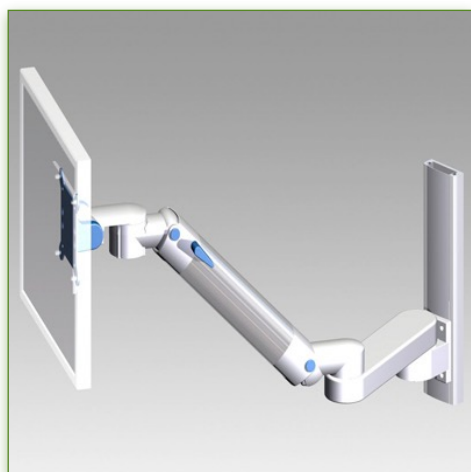
Up to 26" Wide (Weight)
 75/100 mm
 3-8 Kg
MEDICAL GRADE



Do not hesitate to contact us if you have any questions about this product.

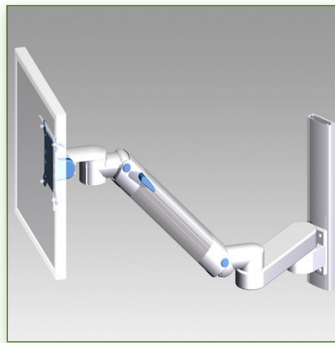
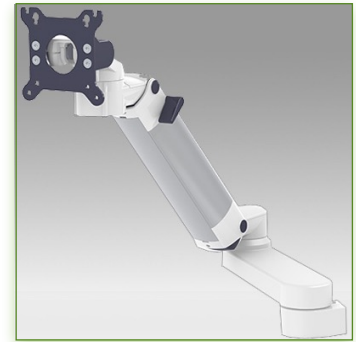
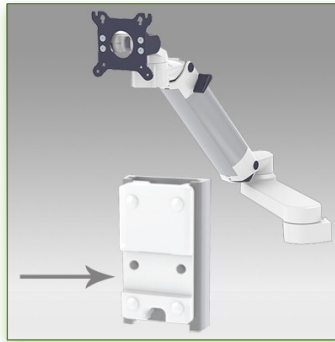


- Warranty: 5 years**
- 000.991.540-1
- Graphite Grey and White
- On Measure
- = Depending on the elements
- 991.540-1



Anti-bacterial properties:

IT medical arms are now designed with Microban antibacterial protection, a revolutionary treatment that guarantees optimal hygiene. IT medical arms integrate Microban and other antibacterial agents into all medical products. It inhibits the growth of bacteria of all types. This is not a surface treatment. It is 100% in the totality of the product. It does not alter the physico-mechanical properties of the medical arm lift system. Simulations over 30 years show that 100% of the antibacterial properties are maintained. All medical articulated arms incorporate Microban. Microban is the world's leading provider of anti-bacterial solutions. It has been successfully applied for more than 35 years in a wide range of products used in the hospital, construction and food industries.



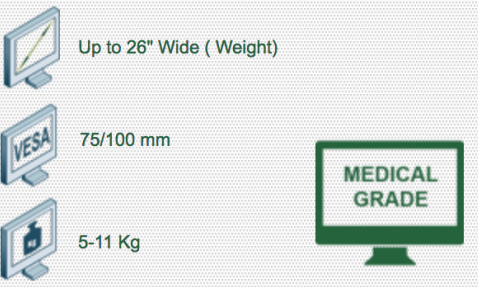
Display Compatibility: 26" Wide (Weight)
 Supported Weight: 5-11 Kg
 VESA standard: 75 / 100 mm

300 + 240 mm height adjustable medical monitor arm, wall mounting on vertical slide rail

This 300 + 240 mm Horizontal Medical Arm with gas spring height adjustment allows the LCD screen to be perfectly fixed, oriented and adjusted. It is coated with an anti-microbial agent offering hygiene and cleaning down to the last detail. Its modern design has been specially designed for healthcare environments.

Technical specifications:

- * Integrated cable channel
 - * Equipotential bonding
 - * Optional Vertical Wall Slide Rail Mounting, including several lengths are available (480 mm - 720 mm - 960 mm - 1200 mm). These wall rails can be easily cut to size you want. All cables also pass through the wall rail. (See Option below)
 - * This 300 + 240 mm Horizontal arm with gas spring simply slips into the wall rail and then adjust to the desired height and fixed. It has a safety stop button for the height adjustment, which allows the arm to remain in the chosen position.
 - * The head of this arm complies with the screen mounting standard: VESA MIS-D 75 mm and 100 mm.
 - * Compatible with screens whose weight does not exceed 5-11 Kg.
 - * Touch screen stability. * Screen tilt: 50° down and 100° up
 - * Screen rotation: 110° right, 110° left.
 - * Arm rotation: 105° to the right, 105° to the left.
 - * Height adjustment: 45° down, 45° up * Total length 806 mm
 - * Compatible with multimedia terminals (TMM)
 - * Colour RAL 7024 (Graphite grey) and White * Warranty: 5 years
 - * All our medical arms are in conformity: CE, ROHS, Medical Grade, Regulations MDD 93/42 ECC.
- Note: This arm can also be installed on one of our medical columns or trolleys.



Do not hesitate to contact us if you have any questions about this product.

Warranty: 5 years

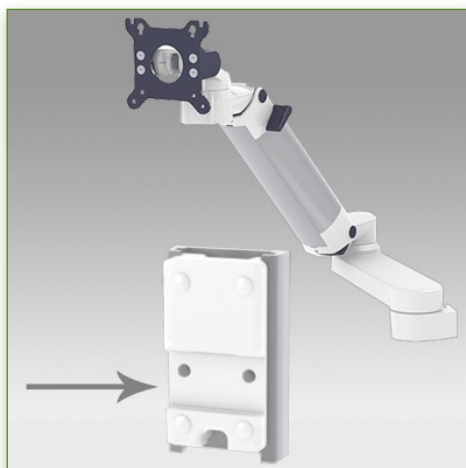
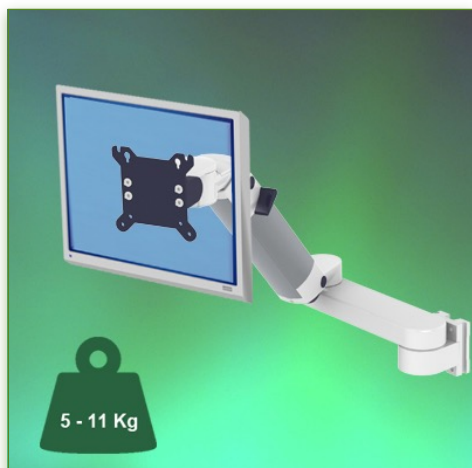
000.991.540-2

Graphite Grey and White

On Measure

= Depending on the elements

991.540-2



Display Compatibility: 26" Wide (Weight)
 Supported Weight: 5-11 Kg
 VESA standard: 75 / 100 mm

Up to 26" Wide (Weight)
 75/100 mm
 5-11 Kg



Do not hesitate to contact us if you have any questions about this product.

Warranty: 5 years

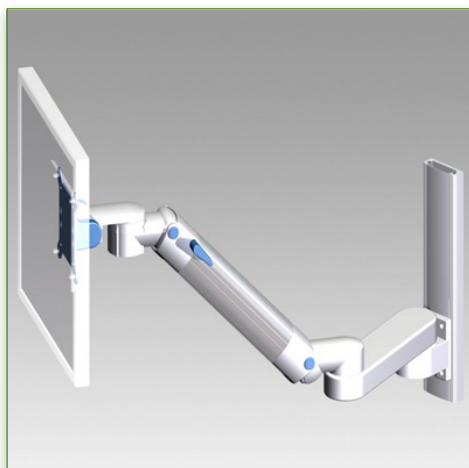
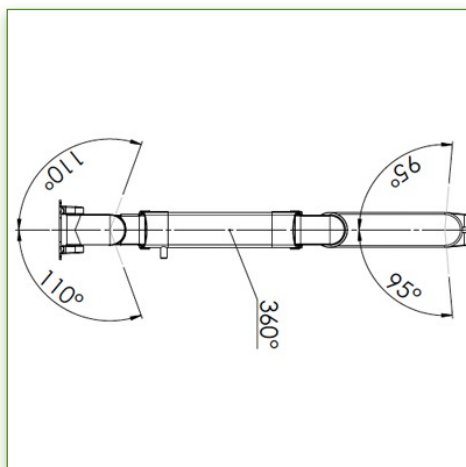
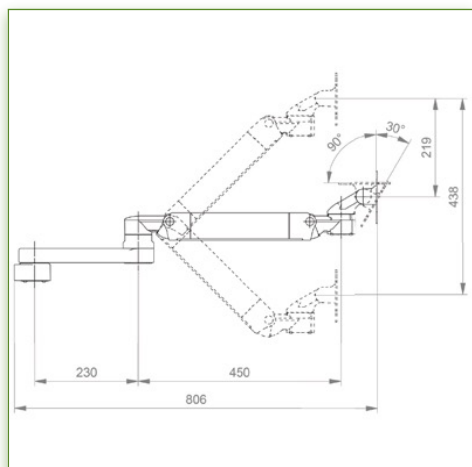
000.991.540-2

Graphite Grey and White

On Measure

= Depending on the elements

991.540-2

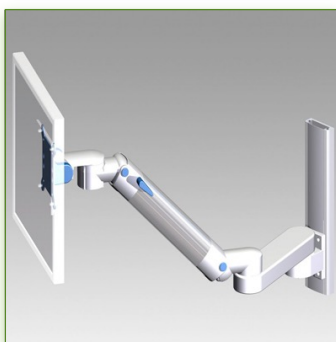
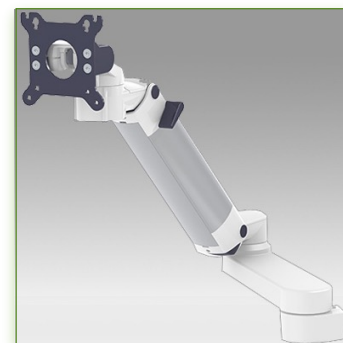
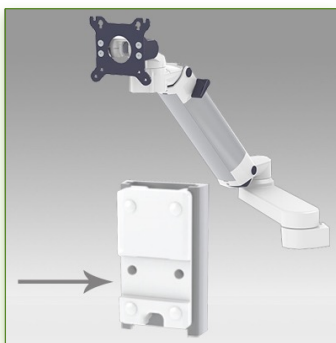
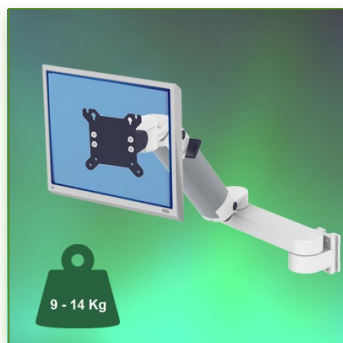


Anti-bacterial properties:

IT medical arms are now designed with Microban antibacterial protection, a revolutionary treatment that guarantees optimal hygiene. IT medical arms integrate Microban and other antibacterial agents into all medical products. It inhibits the growth of bacteria of all types. This is not a surface treatment.

It is 100% in the totality of the product. It does not alter the physico-mechanical properties of the medical arm lift system. Simulations over 30 years show that 100% of the antibacterial properties are maintained.

All medical articulated arms incorporate Microban. Microban is the world's leading provider of anti-bacterial solutions. It has been successfully applied for more than 35 years in a wide range of products used in the hospital, construction and food industries.



Display Compatibility: 26" Wide (Weight)
 Supported Weight: 9-14 Kg
 VESA standard: 75 / 100 mm

300 + 240 mm height adjustable medical monitor arm, wall mounting on vertical slide rail

This 300 + 240 mm Horizontal Medical Arm with gas spring height adjustment allows the LCD screen to be perfectly fixed, oriented and adjusted. It is coated with an anti-microbial agent offering hygiene and cleaning down to the last detail. Its modern design has been specially designed for healthcare environments.

Technical specifications:

- * Integrated cable channel
 - * Equipotential bonding
 - * Optional Vertical Wall Slide Rail Mounting, including several lengths are available (480 mm - 720 mm - 960 mm - 1200 mm). These wall rails can be easily cut to size you want. All cables also pass through the wall rail. (See Option below)
 - * This 300 + 240 mm Horizontal arm with gas spring simply slips into the wall rail and then adjust to the desired height and fixed. It has a safety stop button for the height adjustment, which allows the arm to remain in the chosen position.
 - * The head of this arm complies with the screen mounting standard: VESA MIS-D 75 mm and 100 mm.
 - * Compatible with screens whose weight does not exceed 9-14 Kg.
 - * Touch screen stability. * Screen tilt: 50° down and 100° up
 - * Screen rotation: 110° right, 110° left.
 - * Arm rotation: 105° to the right, 105° to the left.
 - * Height adjustment: 45° down, 45° up * Total length 806 mm
 - * Compatible with multimedia terminals (TMM)
 - * Colour RAL 7024 (Graphite grey) and White * Warranty: 5 years
 - * All our medical arms are in conformity: CE, ROHS, Medical Grade, Regulations MDD 93/42 ECC.
- Note: This arm can also be installed on one of our medical columns or trolleys.

Up to 26" Wide (Weight)
 75/100 mm
 9-14 Kg
MEDICAL GRADE

Do not hesitate to contact us if you have any questions about this product.

Warranty: 5 years

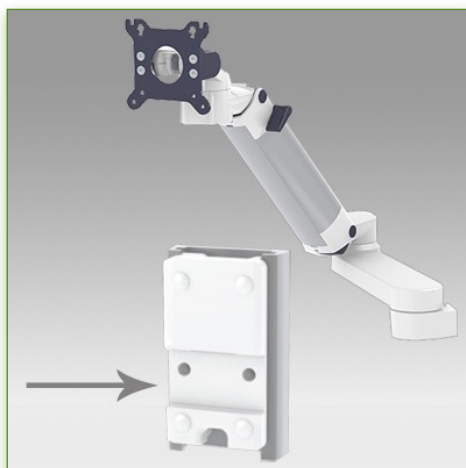
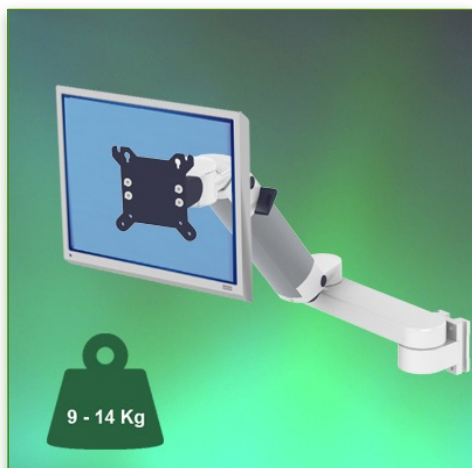
000.991.540-3

Graphite Grey and White

On Measure

= Depending on the elements

991.540-3

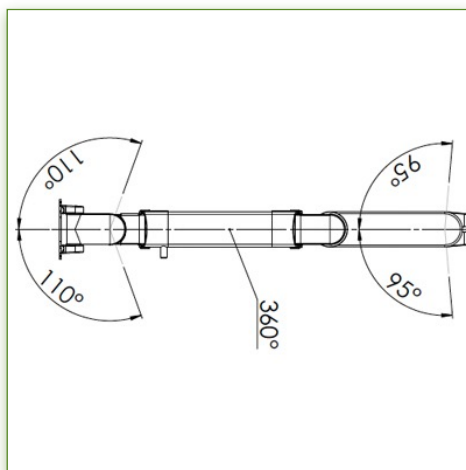
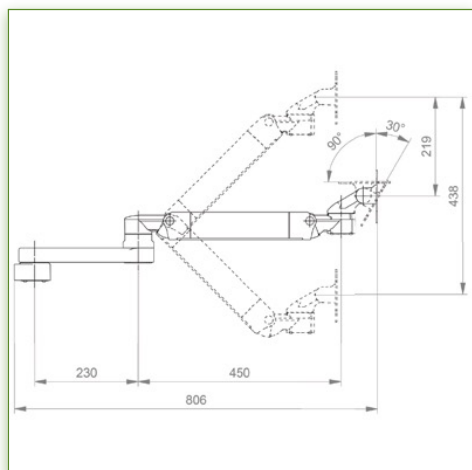


Display Compatibility: 26" Wide (Weight)
 Supported Weight: 9-14 Kg
 VESA standard: 75 / 100 mm

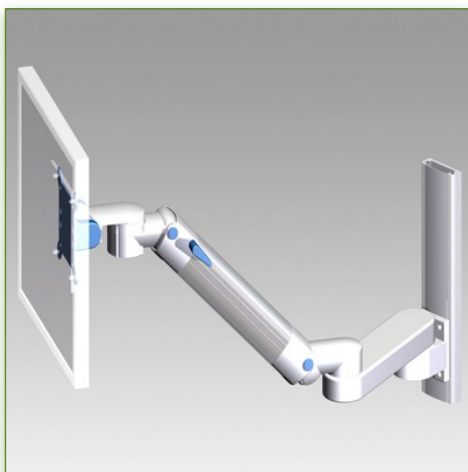
Up to 26" Wide (Weight)
 75/100 mm
 9-14 Kg
MEDICAL GRADE



Do not hesitate to contact us if you have any questions about this product.

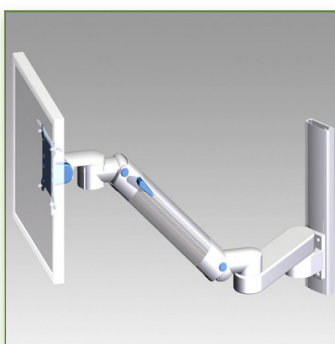
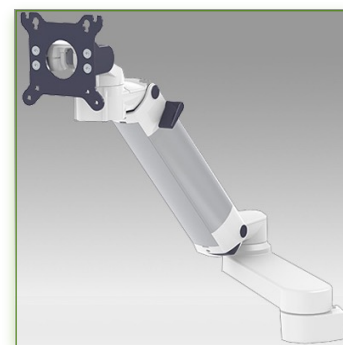
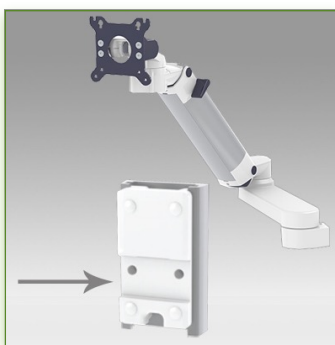
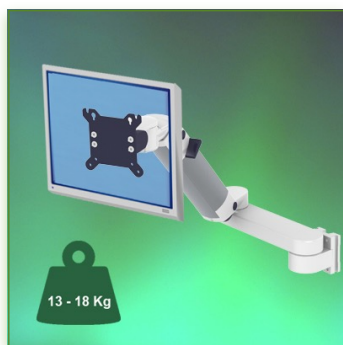


- Warranty: 5 years**
- 000.991.540-3
- Graphite Grey and White
- On Measure
- = Depending on the elements
- 991.540-3



Anti-bacterial properties:

IT medical arms are now designed with Microban antibacterial protection, a revolutionary treatment that guarantees optimal hygiene. IT medical arms integrate Microban and other antibacterial agents into all medical products. It inhibits the growth of bacteria of all types. This is not a surface treatment. It is 100% in the totality of the product. It does not alter the physico-mechanical properties of the medical arm lift system. Simulations over 30 years show that 100% of the antibacterial properties are maintained. All medical articulated arms incorporate Microban. Microban is the world's leading provider of anti-bacterial solutions. It has been successfully applied for more than 35 years in a wide range of products used in the hospital, construction and food industries.



Display Compatibility: 26" Wide (Weight)
 Supported Weight: 13-18 Kg
 VESA standard: 75 / 100 mm

300 + 240 mm height adjustable medical monitor arm, wall mounting on vertical slide rail

This 300 + 240 mm Horizontal Medical Arm with gas spring height adjustment allows the LCD screen to be perfectly fixed, oriented and adjusted. It is coated with an anti-microbial agent offering hygiene and cleaning down to the last detail. Its modern design has been specially designed for healthcare environments.

Technical specifications:

- * Integrated cable channel
 - * Equipotential bonding
 - * Optional Vertical Wall Slide Rail Mounting, including several lengths are available (480 mm - 720 mm - 960 mm - 1200 mm). These wall rails can be easily cut to size you want. All cables also pass through the wall rail. (See Option below)
 - * This 300 + 240 mm Horizontal arm with gas spring simply slips into the wall rail and then adjust to the desired height and fixed. It has a safety stop button for the height adjustment, which allows the arm to remain in the chosen position.
 - * The head of this arm complies with the screen mounting standard: VESA MIS-D 75 mm and 100 mm.
 - * Compatible with screens whose weight does not exceed 13-18 Kg.
 - * Touch screen stability. * Screen tilt: 50° down and 100° up
 - * Screen rotation: 110° right, 110° left.
 - * Arm rotation: 105° to the right, 105° to the left.
 - * Height adjustment: 45° down, 45° up * Total length 806 mm
 - * Compatible with multimedia terminals (TMM)
 - * Colour RAL 7024 (Graphite grey) and White * Warranty: 5 years
 - * All our medical arms are in conformity: CE, ROHS, Medical Grade, Regulations MDD 93/42 ECC.
- Note: This arm can also be installed on one of our medical columns or trolleys.

Up to 26" Wide (Weight)

VESA 75/100 mm

13-18 Kg



Do not hesitate to contact us if you have any questions about this product.



Warranty: 5 years



000.991.540-4



Graphite Grey and White



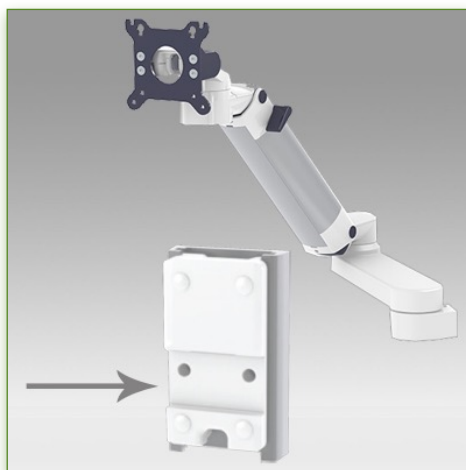
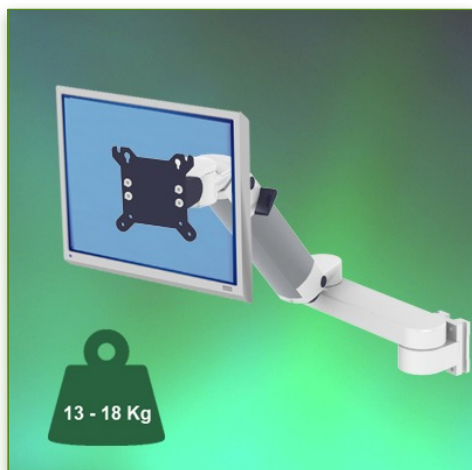
On Measure



= Depending on the elements



991.540-4

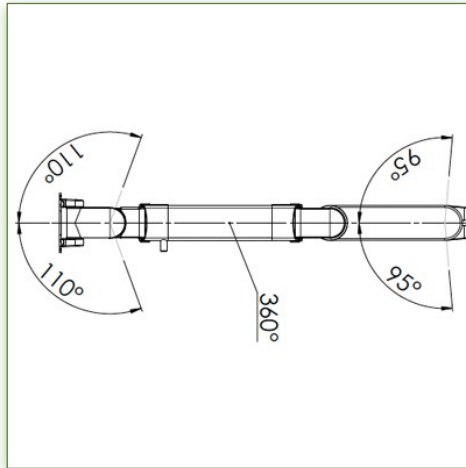
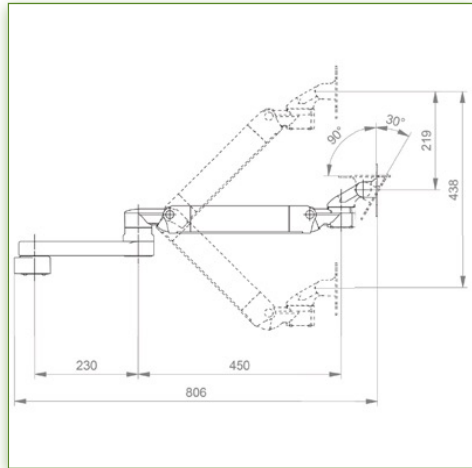


Display Compatibility: 26" Wide (Weight)
 Supported Weight: 13-18 Kg
 VESA standard: 75 / 100 mm

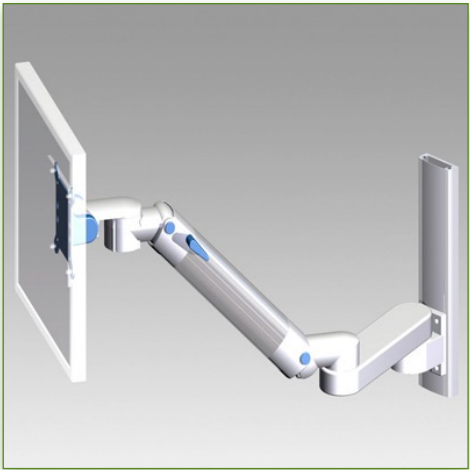
Up to 26" Wide (Weight)
 75/100 mm
 13-18 Kg



Do not hesitate to contact us if you have any questions about this product.

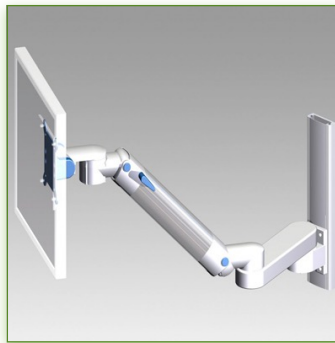
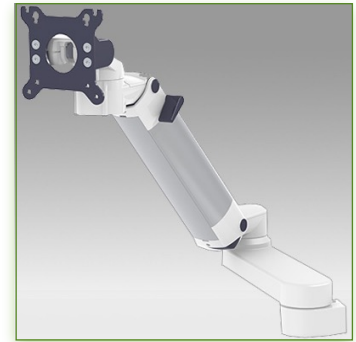
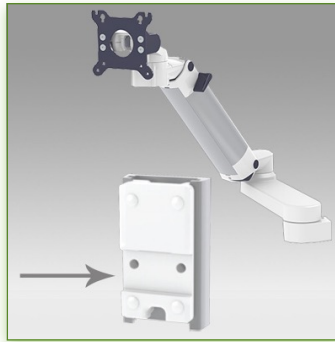
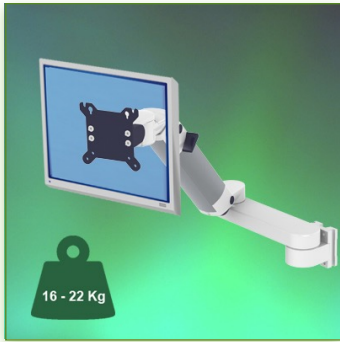


- Warranty: 5 years**
- 000.991.540-4
- Graphite Grey and White
- On Measure
- = Depending on the elements
- 991.540-4



Anti-bacterial properties:

IT medical arms are now designed with Microban antibacterial protection, a revolutionary treatment that guarantees optimal hygiene. IT medical arms integrate Microban and other antibacterial agents into all medical products. It inhibits the growth of bacteria of all types. This is not a surface treatment. It is 100% in the totality of the product. It does not alter the physico-mechanical properties of the medical arm lift system. Simulations over 30 years show that 100% of the antibacterial properties are maintained. All medical articulated arms incorporate Microban. Microban is the world's leading provider of anti-bacterial solutions. It has been successfully applied for more than 35 years in a wide range of products used in the hospital, construction and food industries.



Display Compatibility: 26" Wide (Weight)
Supported Weight: 16-22 Kg
VESA standard: 75 / 100 mm

300 + 240 mm height adjustable medical monitor arm, wall mounting on vertical slide rail

This 300 + 240 mm Horizontal Medical Arm with gas spring height adjustment allows the LCD screen to be perfectly fixed, oriented and adjusted. It is coated with an anti-microbial agent offering hygiene and cleaning down to the last detail. Its modern design has been specially designed for healthcare environments.

Technical specifications:

- * Integrated cable channel
 - * Equipotential bonding
 - * Optional Vertical Wall Slide Rail Mounting, including several lengths are available (480 mm - 720 mm - 960 mm - 1200 mm). These wall rails can be easily cut to size you want. All cables also pass through the wall rail. (See Option below)
 - * This 300 + 240 mm Horizontal arm with gas spring simply slips into the wall rail and then adjust to the desired height and fixed. It has a safety stop button for the height adjustment, which allows the arm to remain in the chosen position.
 - * The head of this arm complies with the screen mounting standard: VESA MIS-D 75 mm and 100 mm.
 - * Compatible with screens whose weight does not exceed 16-22 Kg.
 - * Touch screen stability. * Screen tilt: 50° down and 100° up
 - * Screen rotation: 110° right, 110° left.
 - * Arm rotation: 105° to the right, 105° to the left.
 - * Height adjustment: 45° down, 45° up * Total length 806 mm
 - * Compatible with multimedia terminals (TMM)
 - * Colour RAL 7024 (Graphite grey) and White * Warranty: 5 years
 - * All our medical arms are in conformity: CE, ROHS, Medical Grade, Regulations MDD 93/42 ECC.
- Note: This arm can also be installed on one of our medical columns or trolleys.

Up to 26" Wide (Weight)
75/100 mm
16-22 Kg
MEDICAL GRADE

Do not hesitate to contact us if you have any questions about this product.

Warranty: 5 years

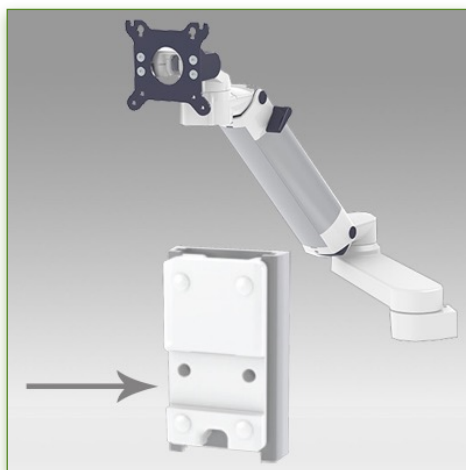
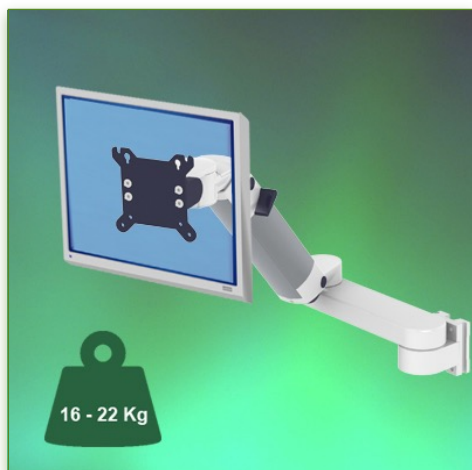
000.991.540-5

Graphite Grey and White

On Measure

= Depending on the elements

991.540-5



Display Compatibility: 26" Wide (Weight)
 Supported Weight: 16-22 Kg
 VESA standard: 75 / 100 mm



Up to 26" Wide (Weight)



75/100 mm



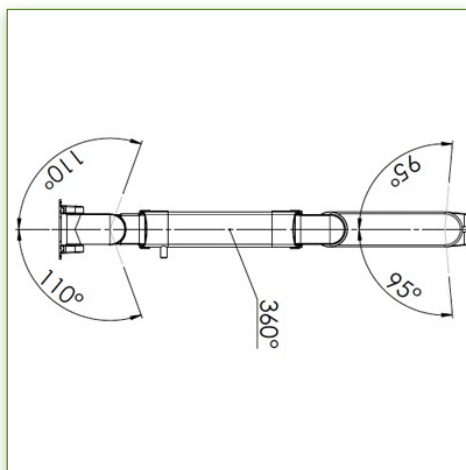
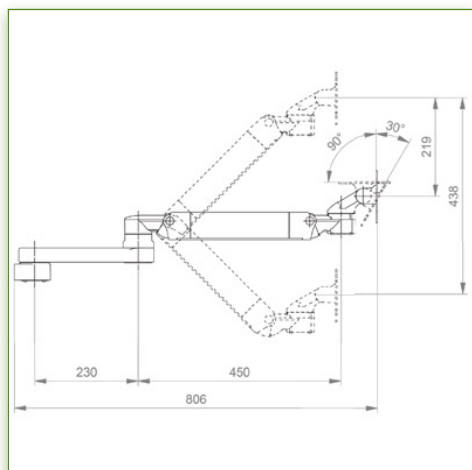
16-22 Kg



Medical Grade



Do not hesitate to contact us if you have any questions about this product.



Warranty: 5 years



000.991.540-5



Graphite Grey and White



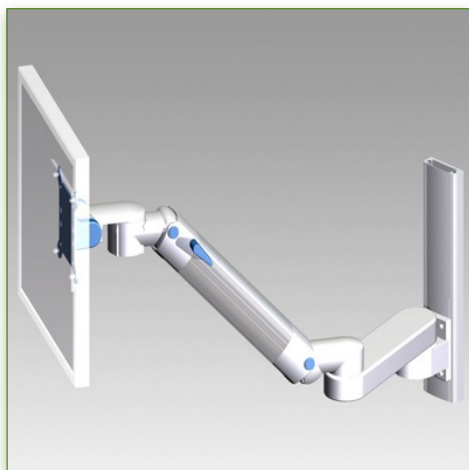
On Measure



= Depending on the elements



991.540-5



Anti-bacterial properties:

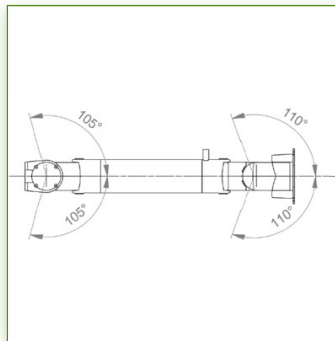
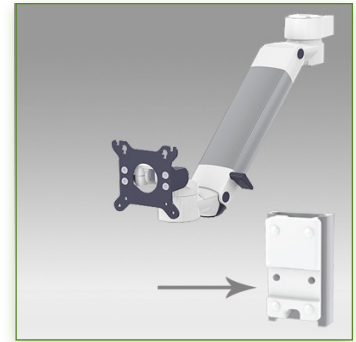
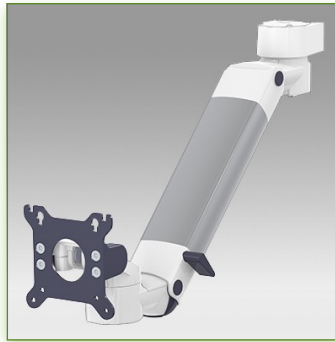
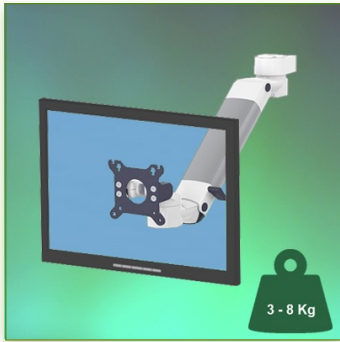
IT medical arms are now designed with Microban antibacterial protection, a revolutionary treatment that guarantees optimal hygiene. IT medical arms integrate Microban and other antibacterial agents into all medical products. It inhibits the growth of bacteria of all types. This is not a surface treatment.

It is 100% in the totality of the product.

It does not alter the physico-mechanical properties of the medical arm lift system. Simulations over 30 years show that 100% of the antibacterial properties are maintained.

All medical articulated arms incorporate Microban.

Microban is the world's leading provider of anti-bacterial solutions. It has been successfully applied for more than 35 years in a wide range of products used in the hospital, construction and food industries.



Display Compatibility: 26" Wide (Weight)
 Supported Weight: 3-8 Kg
 VESA standard: 75 / 100 mm

Up to 26" Wide (Weight)
 75/100 mm
 3-8 Kg
MEDICAL GRADE

Do not hesitate to contact us if you have any questions about this product.

Warranty: 5 years

000.991.530-1

Graphite Grey and White

On Measure

= Depending on the elements

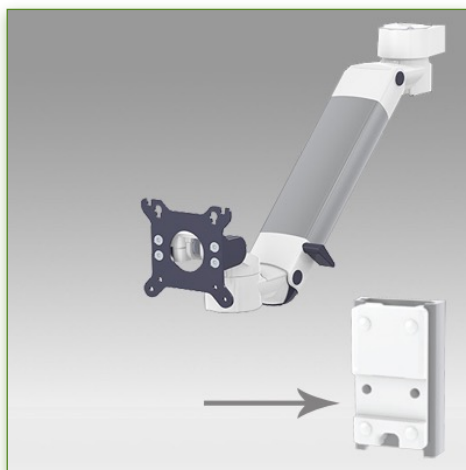
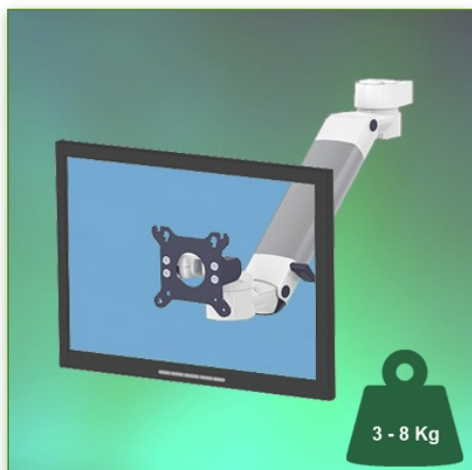
991.530-1

PH Medical Monitor Arm (High Position) height adjustable 300 mm, wall mounting on vertical slide rail

This PH (High Position) Horizontal Medical Arm 300 mm with gas spring height adjustment allows the LCD screen to be perfectly fixed, oriented and adjusted. It is coated with an anti-microbial agent offering hygiene and cleaning down to the last detail. Its modern design has been specially designed for healthcare environments.

Technical specifications:

- * Integrated cable channel
 - * Equipotential bonding
 - * Optional Vertical Wall Slide Rail Mounting, including several lengths are available (480 mm - 720 mm - 960 mm - 1200 mm). These wall rails can be easily cut to size you want. All cables also pass through the wall rail. (See Option below)
 - * This PH Horizontal 300 mm gas spring arm simply slips into the wall rail and then adjusts to the desired height and fixed. It has a safety height adjustment stop button, which allows the arm to remain in the chosen position.
 - * Installation specific to the high position (PH)
 - * The head of this arm complies with the screen mounting standard: VESA MIS-D 75 mm and 100 mm.
 - * Compatible with screens whose weight does not exceed 3-8 Kg.
 - * Touch screen stability.
 - * Screen tilt: 50° down and 100° up
 - * Screen rotation: 110° right, 110° left.
 - * Arm rotation: 105° to the right, 105° to the left.
 - * Height adjustment: 45° down, 45° up
 - * Total length 576 mm
 - * Compatible with multimedia terminals (TMM)
 - * Colour RAL 7024 (Graphite grey) and White
 - * Warranty: 5 years
 - * All our medical arms are in conformity: CE, ROHS, Medical Grade, Regulations MDD 93/42 ECC.
- Note: This arm can also be installed on one of our medical columns or trolleys.



Display Compatibility: 26" Wide (Weight)
 Supported Weight: 3-8 Kg
 VESA standard: 75 / 100 mm



Up to 26" Wide (Weight)



75/100 mm



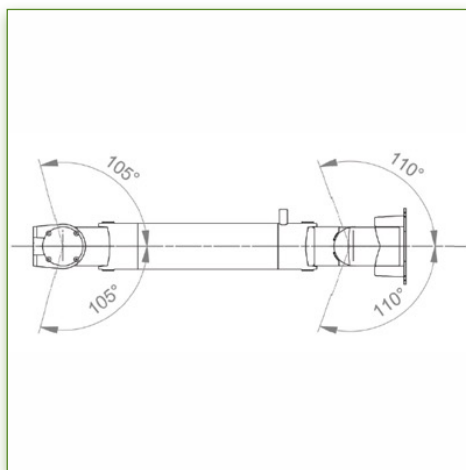
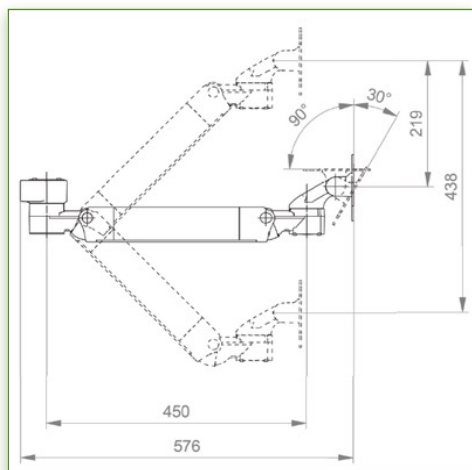
3-8 Kg



Medical Grade



Do not hesitate to contact us if you have any questions about this product.



Warranty: 5 years



000.991.530-1



Graphite Grey and White



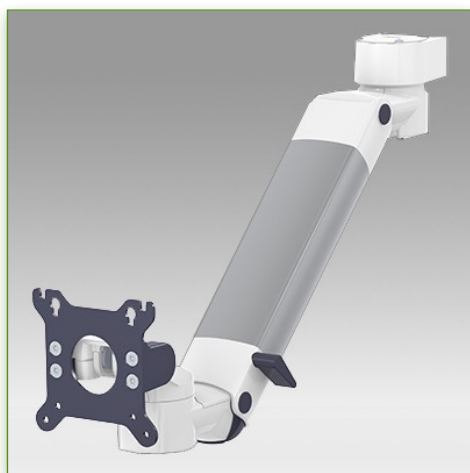
On Measure



= Depending on the elements



991.530-1

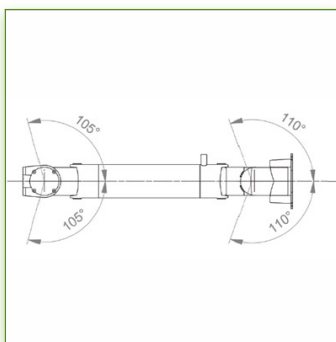
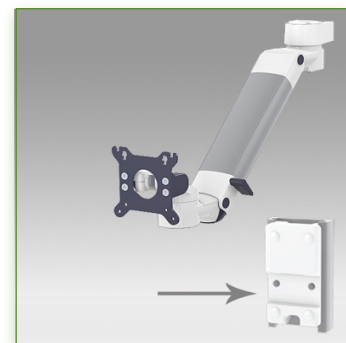
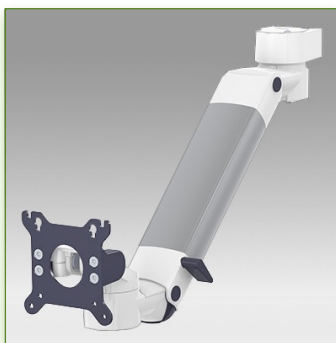
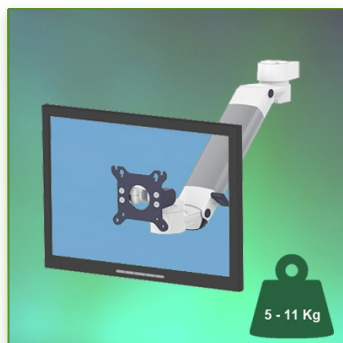


Anti-bacterial properties:

IT medical arms are now designed with Microban antibacterial protection, a revolutionary treatment that guarantees optimal hygiene. IT medical arms integrate Microban and other antibacterial agents into all medical products. It inhibits the growth of bacteria of all types. This is not a surface treatment.

It is 100% in the totality of the product. It does not alter the physico-mechanical properties of the medical arm lift system. Simulations over 30 years show that 100% of the antibacterial properties are maintained.

All medical articulated arms incorporate Microban. Microban is the world's leading provider of anti-bacterial solutions. It has been successfully applied for more than 35 years in a wide range of products used in the hospital, construction and food industries.



Display Compatibility: 26" Wide (Weight)
 Weight Supported: 5-11 Kg
 VESA standard: 75 / 100 mm

Up to 26" Wide (Weight)
 75/100 mm
 5-11 Kg
MEDICAL GRADE

Do not hesitate to contact us if you have any questions about this product.

Warranty: 5 years

000.991.530-2

Graphite Grey and White

On Measure

= Depending on the elements

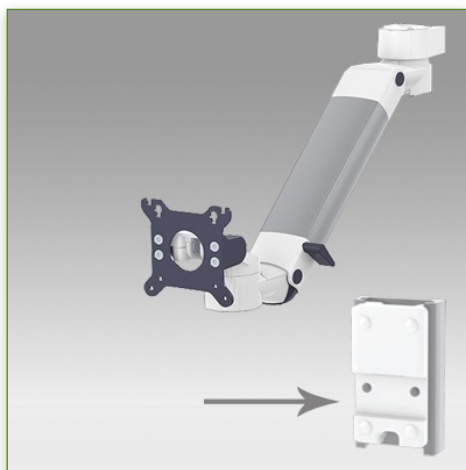
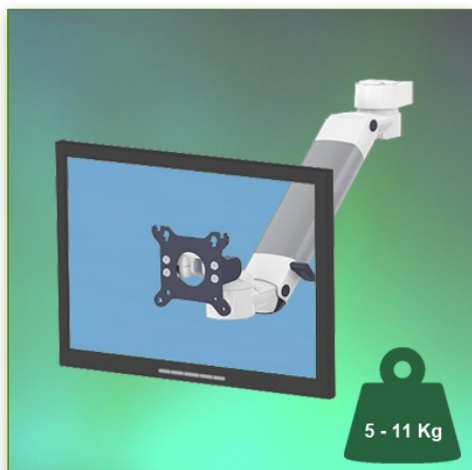
991.530-2

PH Medical Monitor Arm (High Position) height adjustable 300 mm, wall mounting on vertical slide rail

This PH (High Position) Horizontal Medical Arm 300 mm with gas spring height adjustment allows the LCD screen to be perfectly fixed, oriented and adjusted. It is coated with an anti-microbial agent offering hygiene and cleaning down to the last detail. Its modern design has been specially designed for healthcare environments.

Technical specifications:

- * Integrated cable channel
 - * Equipotential bonding
 - * Optional Vertical Wall Slide Rail Mounting, including several lengths are available (480 mm - 720 mm - 960 mm - 1200 mm). These wall rails can be easily cut to size you want. All cables also pass through the wall rail. (See Option below)
 - * This PH Horizontal 300 mm gas spring arm simply slips into the wall rail and then adjusts to the desired height and fixed. It has a safety height adjustment stop button, which allows the arm to remain in the chosen position.
 - * Installation specific to the high position (PH)
 - * The head of this arm complies with the screen mounting standard: VESA MIS-D 75 mm and 100 mm.
 - * Compatible with screens whose weight does not exceed 5-11 Kg.
 - * Touch screen stability.
 - * Screen tilt: 50° down and 100° up
 - * Screen rotation: 110° right, 110° left.
 - * Arm rotation: 105° to the right, 105° to the left.
 - * Height adjustment: 45° down, 45° up
 - * Total length 576 mm
 - * Compatible with multimedia terminals (TMM)
 - * Colour RAL 7024 (Graphite grey) and White
 - * Warranty: 5 years
 - * All our medical arms are in conformity: CE, ROHS, Medical Grade, Regulations MDD 93/42 ECC.
- Note: This arm can also be installed on one of our medical columns or trolleys.



Display Compatibility: 26" Wide (Weight)
 Weight Supported: 5-11 Kg
 VESA standard: 75 / 100 mm



Up to 26" Wide (Weight)



75/100 mm



5-11 Kg



Medical Grade



Do not hesitate to contact us if you have any questions about this product.



Warranty: 5 years



000.991.530-2



Graphite Grey and White



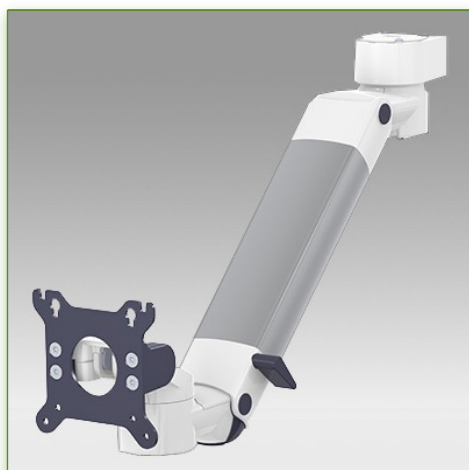
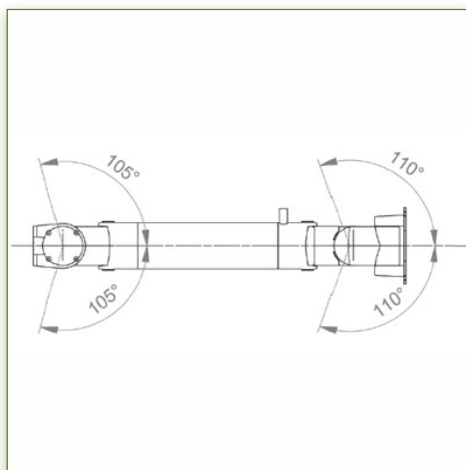
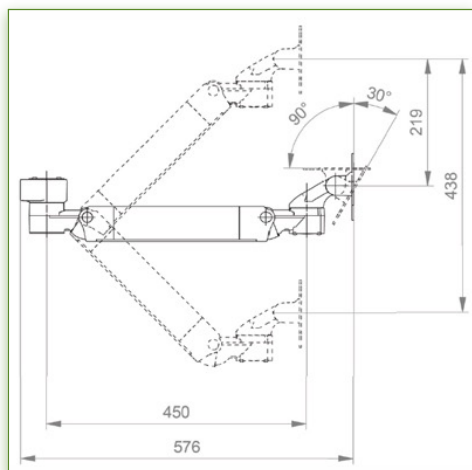
On Measure



= Depending on the elements



991.530-2



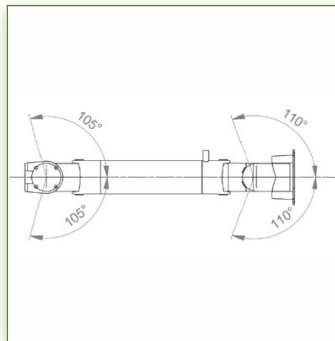
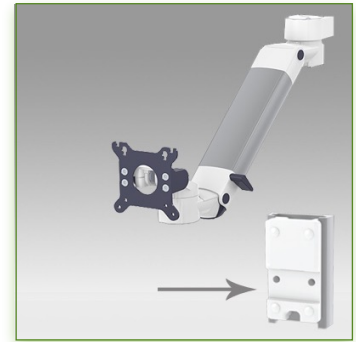
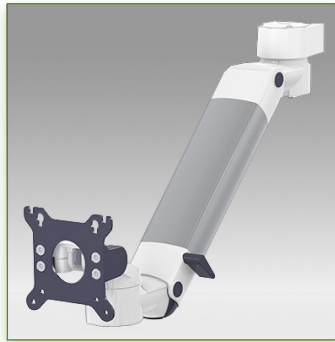
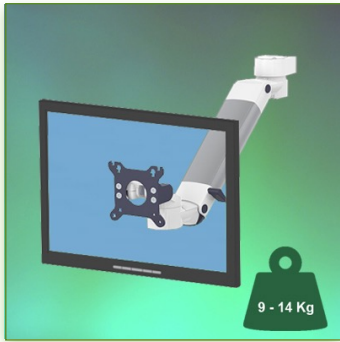
Anti-bacterial properties:

IT medical arms are now designed with Microban antibacterial protection, a revolutionary treatment that guarantees optimal hygiene. IT medical arms integrate Microban and other antibacterial agents into all medical products. It inhibits the growth of bacteria of all types. This is not a surface treatment.

It is 100% in the totality of the product.

It does not alter the physico-mechanical properties of the medical arm lift system. Simulations over 30 years show that 100% of the antibacterial properties are maintained.

All medical articulated arms incorporate Microban. Microban is the world's leading provider of anti-bacterial solutions. It has been successfully applied for more than 35 years in a wide range of products used in the hospital, construction and food industries.



Display Compatibility: 26" Wide (Weight)
 Weight Supported: 9-14 Kg
 VESA standard: 75 / 100 mm

Up to 26" Wide (Weight)
 75/100 mm
 9-14 Kg

PH Medical Monitor Arm (High Position) height adjustable 300 mm, wall mounting on vertical slide rail

This PH (High Position) Horizontal Medical Arm 300 mm with gas spring height adjustment allows the LCD screen to be perfectly fixed, oriented and adjusted. It is coated with an anti-microbial agent offering hygiene and cleaning down to the last detail. Its modern design has been specially designed for healthcare environments.

Technical specifications:

- * Integrated cable channel
 - * Equipotential bonding
 - * Optional Vertical Wall Slide Rail Mounting, including several lengths are available (480 mm - 720 mm - 960 mm - 1200 mm). These wall rails can be easily cut to size you want. All cables also pass through the wall rail. (See Option below)
 - * This PH Horizontal 300 mm gas spring arm simply slips into the wall rail and then adjusts to the desired height and fixed. It has a safety height adjustment stop button, which allows the arm to remain in the chosen position.
 - * Installation specific to the high position (PH)
 - * The head of this arm complies with the screen mounting standard: VESA MIS-D 75 mm and 100 mm.
 - * Compatible with screens whose weight does not exceed 9-14 Kg.
 - * Touch screen stability.
 - * Screen tilt: 50° down and 100° up
 - * Screen rotation: 110° right, 110° left.
 - * Arm rotation: 105° to the right, 105° to the left.
 - * Height adjustment: 45° down, 45° up
 - * Total length 576 mm
 - * Compatible with multimedia terminals (TMM)
 - * Colour RAL 7024 (Graphite grey) and White
 - * Warranty: 5 years
 - * All our medical arms are in conformity: CE, ROHS, Medical Grade, Regulations MDD 93/42 ECC.
- Note: This arm can also be installed on one of our medical columns or trolleys.

Do not hesitate to contact us if you have any questions about this product.

Warranty: 5 years

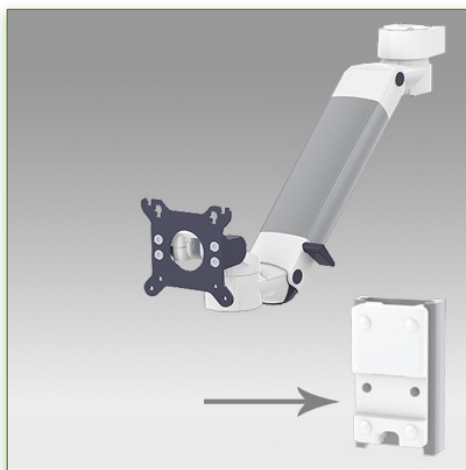
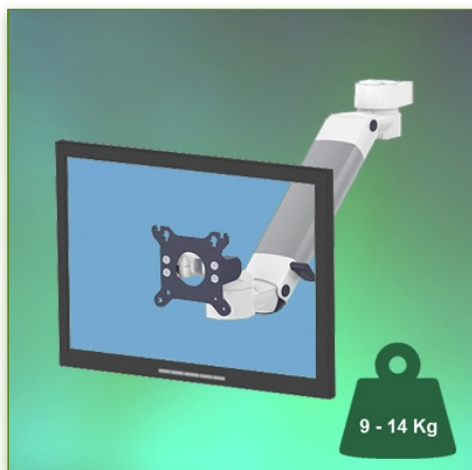
000.991.530-3

Graphite Grey and White

On Measure

= Depending on the elements

991.530-3



Display Compatibility: 26" Wide (Weight)
 Weight Supported: 9-14 Kg
 VESA standard: 75 / 100 mm



Up to 26" Wide (Weight)



75/100 mm



9-14 Kg



Medical Grade



Do not hesitate to contact us if you have any questions about this product.



Warranty: 5 years



000.991.530-3



Graphite Grey and White



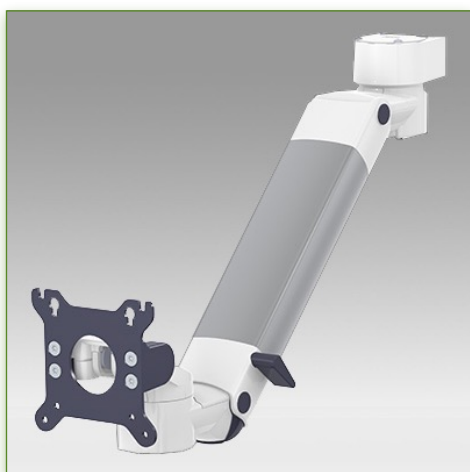
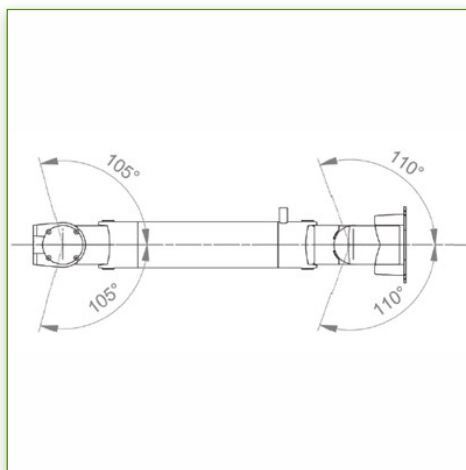
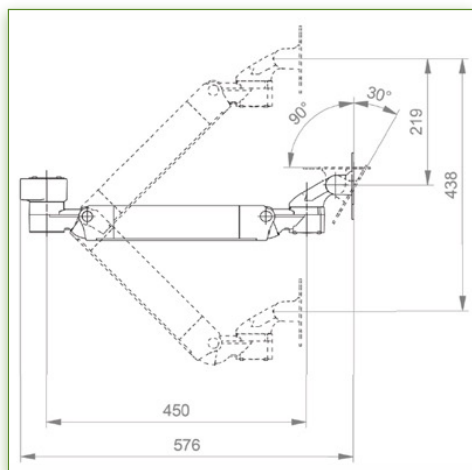
On Measure



= Depending on the elements



991.530-3

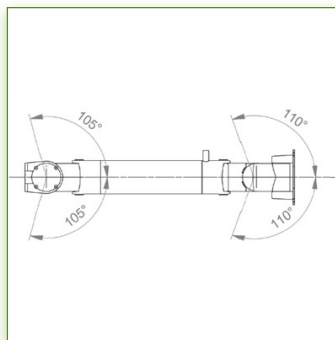
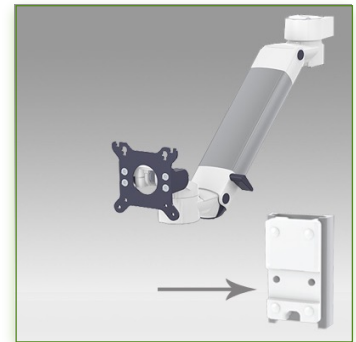
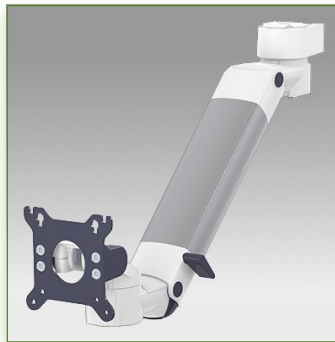
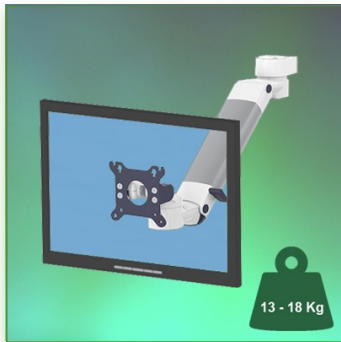


Anti-bacterial properties:

IT medical arms are now designed with Microban antibacterial protection, a revolutionary treatment that guarantees optimal hygiene. IT medical arms integrate Microban and other antibacterial agents into all medical products. It inhibits the growth of bacteria of all types. This is not a surface treatment.

It is 100% in the totality of the product. It does not alter the physico-mechanical properties of the medical arm lift system. Simulations over 30 years show that 100% of the antibacterial properties are maintained.

All medical articulated arms incorporate Microban. Microban is the world's leading provider of anti-bacterial solutions. It has been successfully applied for more than 35 years in a wide range of products used in the hospital, construction and food industries.



Display Compatibility: 26" Wide (Weight)
 Weight Supported: 13-18 Kg
 VESA standard: 75 / 100 mm

Jusque 26" Wide (Poids)
 75/100 mm
 13-18 Kg

Do not hesitate to contact us if you have any questions about this product.

Warranty: 5 years

000.991.530-4

Graphite Grey and White

On Measure

= Depending on the elements

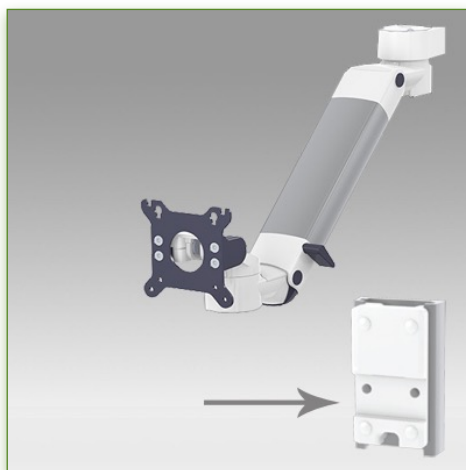
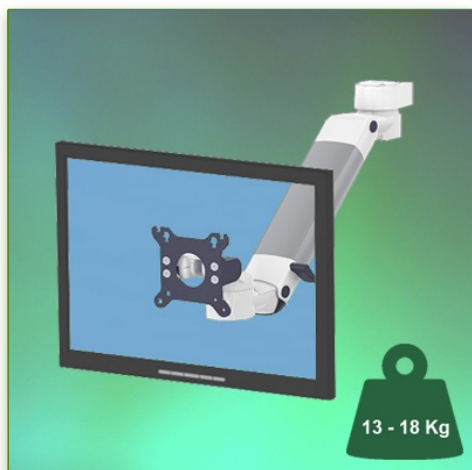
991.530-4

PH Medical Monitor Arm (High Position) height adjustable 300 mm, wall mounting on vertical slide rail

This PH (High Position) Horizontal Medical Arm 300 mm with gas spring height adjustment allows the LCD screen to be perfectly fixed, oriented and adjusted. It is coated with an anti-microbial agent offering hygiene and cleaning down to the last detail. Its modern design has been specially designed for healthcare environments.

Technical specifications:

- * Integrated cable channel
 - * Equipotential bonding
 - * Optional Vertical Wall Slide Rail Mounting, including several lengths are available (480 mm - 720 mm - 960 mm - 1200 mm). These wall rails can be easily cut to size you want. All cables also pass through the wall rail. (See Option below)
 - * This PH Horizontal 300 mm gas spring arm simply slips into the wall rail and then adjusts to the desired height and fixed. It has a safety height adjustment stop button, which allows the arm to remain in the chosen position.
 - * Installation specific to the high position (PH)
 - * The head of this arm complies with the screen mounting standard: VESA MIS-D 75 mm and 100 mm.
 - * Compatible with screens whose weight does not exceed 13-18 Kg.
 - * Touch screen stability.
 - * Screen tilt: 50° down and 100° up
 - * Screen rotation: 110° right, 110° left.
 - * Arm rotation: 105° to the right, 105° to the left.
 - * Height adjustment: 45° down, 45° up
 - * Total length 576 mm
 - * Compatible with multimedia terminals (TMM)
 - * Colour RAL 7024 (Graphite grey) and White
 - * Warranty: 5 years
 - * All our medical arms are in conformity: CE, ROHS, Medical Grade, Regulations MDD 93/42 ECC.
- Note: This arm can also be installed on one of our medical columns or trolleys.



Display Compatibility: 26" Wide (Weight)
 Weight Supported: 13-18 Kg
 VESA standard: 75 / 100 mm



Jusque 26" Wide (Poids)



75/100 mm



13-18 Kg



Medical Grade



Do not hesitate to contact us if you have any questions about this product.



Warranty: 5 years



000.991.530-4



Graphite Grey and White



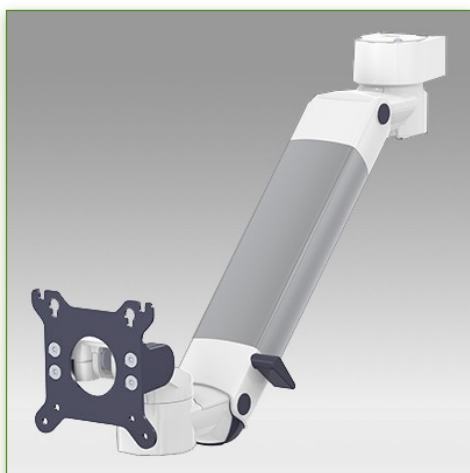
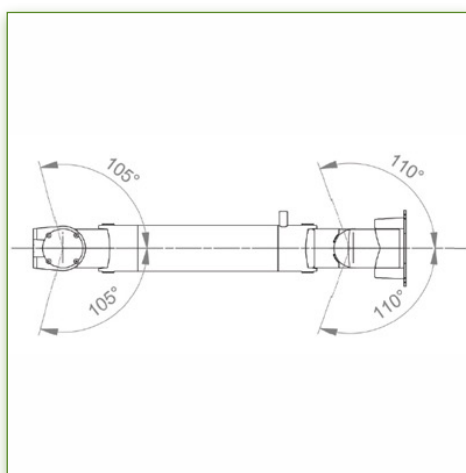
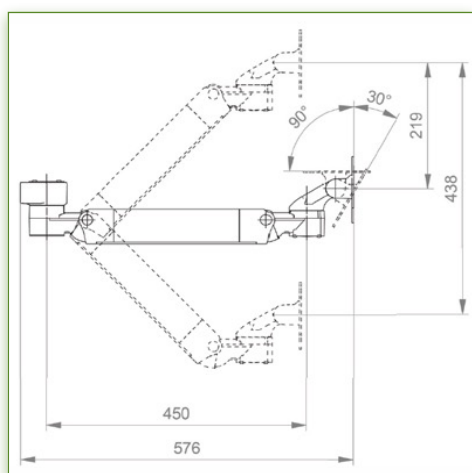
On Measure



= Depending on the elements



991.530-4

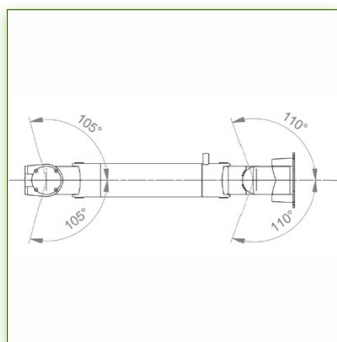
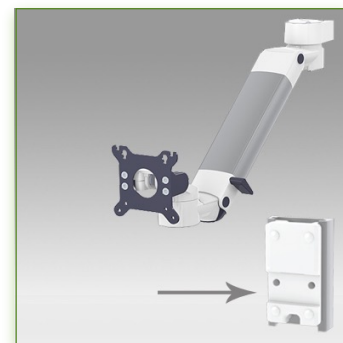
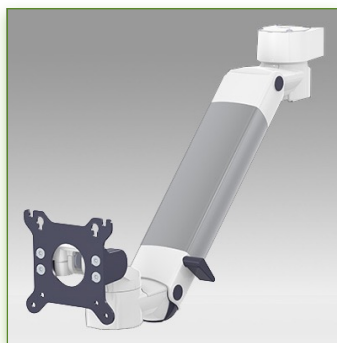
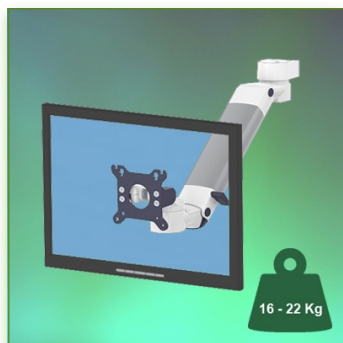


Anti-bacterial properties:

IT medical arms are now designed with Microban antibacterial protection, a revolutionary treatment that guarantees optimal hygiene. IT medical arms integrate Microban and other antibacterial agents into all medical products. It inhibits the growth of bacteria of all types. This is not a surface treatment.

It is 100% in the totality of the product. It does not alter the physico-mechanical properties of the medical arm lift system. Simulations over 30 years show that 100% of the antibacterial properties are maintained.

All medical articulated arms incorporate Microban. Microban is the world's leading provider of anti-bacterial solutions. It has been successfully applied for more than 35 years in a wide range of products used in the hospital, construction and food industries.



Display Compatibility: 26" Wide (Weight)
 Weight Supported: 16-22 Kg
 VESA standard: 75 / 100 mm

Up to 26" Wide (Weight)
 75/100 mm
 16-22 Kg
MEDICAL GRADE

Do not hesitate to contact us if you have any questions about this product.

Warranty: 5 years

000.991.530-5

Graphite Grey and White

On Measure

= Depending on the elements

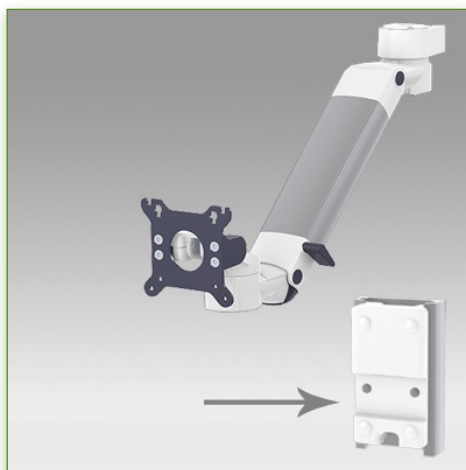
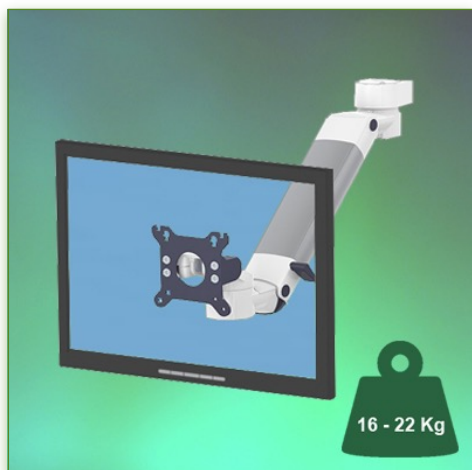
991.530-5

PH Medical Monitor Arm (High Position) height adjustable 300 mm, wall mounting on vertical slide rail

This PH (High Position) Horizontal Medical Arm 300 mm with gas spring height adjustment allows the LCD screen to be perfectly fixed, oriented and adjusted. It is coated with an anti-microbial agent offering hygiene and cleaning down to the last detail. Its modern design has been specially designed for healthcare environments.

Technical specifications:

- * Integrated cable channel
 - * Equipotential bonding
 - * Optional Vertical Wall Slide Rail Mounting, including several lengths are available (480 mm - 720 mm - 960 mm - 1200 mm). These wall rails can be easily cut to size you want. All cables also pass through the wall rail. (See Option below)
 - * This PH Horizontal 300 mm gas spring arm simply slips into the wall rail and then adjusts to the desired height and fixed. It has a safety height adjustment stop button, which allows the arm to remain in the chosen position.
 - * Installation specific to the high position (PH)
 - * The head of this arm complies with the screen mounting standard: VESA MIS-D 75 mm and 100 mm.
 - * Compatible with screens whose weight does not exceed 16-22 Kg.
 - * Touch screen stability.
 - * Screen tilt: 50° down and 100° up
 - * Screen rotation: 110° right, 110° left.
 - * Arm rotation: 105° to the right, 105° to the left.
 - * Height adjustment: 45° down, 45° up
 - * Total length 576 mm
 - * Compatible with multimedia terminals (TMM)
 - * Colour RAL 7024 (Graphite grey) and White
 - * Warranty: 5 years
 - * All our medical arms are in conformity: CE, ROHS, Medical Grade, Regulations MDD 93/42 ECC.
- Note: This arm can also be installed on one of our medical columns or trolleys.

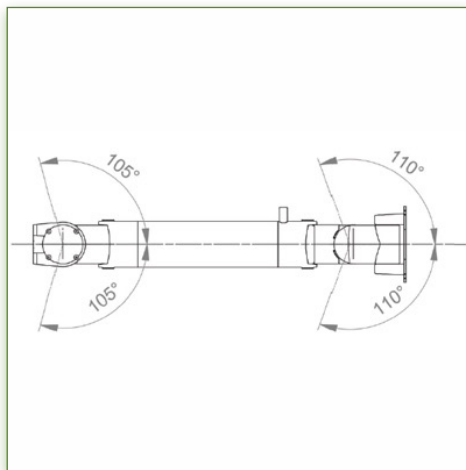
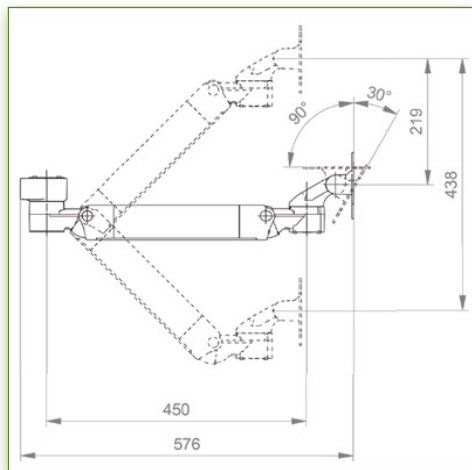


Display Compatibility: 26" Wide (Weight)
 Weight Supported: 16-22 Kg
 VESA standard: 75 / 100 mm

Up to 26" Wide (Weight)
 75/100 mm
 16-22 Kg



Do not hesitate to contact us if you have any questions about this product.

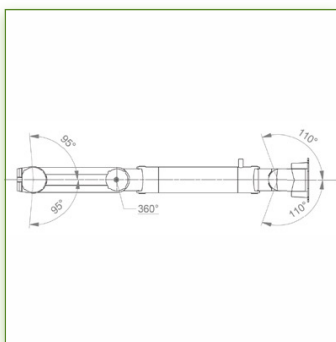
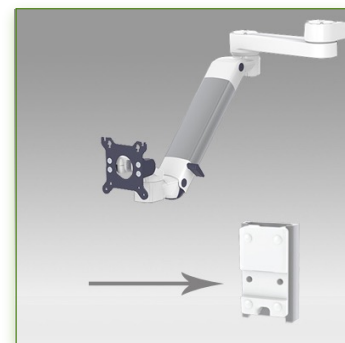
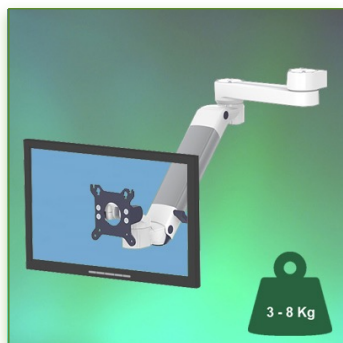


- Warranty: 5 years**
- 000.991.530-5
- Graphite Grey and White
- On Measure
- = Depending on the elements
- 991.530-5



Anti-bacterial properties:

IT medical arms are now designed with Microban antibacterial protection, a revolutionary treatment that guarantees optimal hygiene. IT medical arms integrate Microban and other antibacterial agents into all medical products. It inhibits the growth of bacteria of all types. This is not a surface treatment. It is 100% in the totality of the product. It does not alter the physico-mechanical properties of the medical arm lift system. Simulations over 30 years show that 100% of the antibacterial properties are maintained. All medical articulated arms incorporate Microban. Microban is the world's leading provider of anti-bacterial solutions. It has been successfully applied for more than 35 years in a wide range of products used in the hospital, construction and food industries.



Display Compatibility: 26" Wide (Weight)
 Supported Weight: 3-8 Kg
 VESA standard: 75 / 100 mm

PH Medical Monitor Arm (High Position) height adjustable
300 + 240 mm, wall mounting on vertical slide rail

This PH (High Position) Horizontal Medical Arm 300 + 240 mm with gas spring height adjustment allows the LCD screen to be perfectly fixed, oriented and adjusted. It is coated with an anti-microbial agent offering hygiene and cleaning down to the last detail. Its modern design has been specially designed for healthcare environments.

Technical specifications:

- * Integrated cable channel
- * Equipotential bonding
- * Optional Vertical Wall Slide Rail Mounting, including several lengths are available (480 mm - 720 mm - 960 mm - 1200 mm).

These wall rails can be easily cut to size you want.

All cables also pass through the wall rail.

(See Option below)

- * This PH Horizontal 300 +240 mm gas spring arm simply slips into the wall rail and then adjusts to the desired height and fixed. It has a safety height adjustment stop button, which allows the arm to remain in the chosen position.
- * Installation specific to the high position (PH)
- * The head of this arm complies with the screen mounting standard: VESA MIS-D 75 mm and 100 mm.
- * Compatible with screens whose weight does not exceed 3-8 Kg.
- * Touch screen stability. * Screen tilt: 50° down and 100° up
- * Screen rotation: 110° right, 110° left.
- * Arm rotation: 105° to the right, 105° to the left.
- * Height adjustment: 45° down, 45° up * Total length 806 mm
- * Compatible with multimedia terminals (TMM)
- * Colour RAL 7024 (Graphite grey) and White * Warranty: 5 years
- * All our medical arms are in conformity:

CE, ROHS, Medical Grade, Regulations MDD 93/42 ECC

Note: This arm can also be installed on one of our medical columns or trolleys.

Up to 26" Wide (Weight)
 75/100 mm
 3-8 Kg
MEDICAL GRADE

Do not hesitate to contact us if you have any questions about this product.

Warranty: 5 years

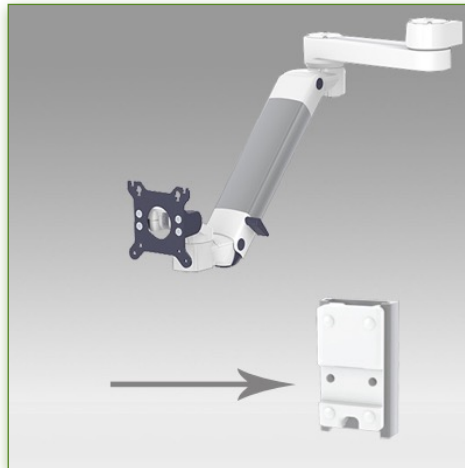
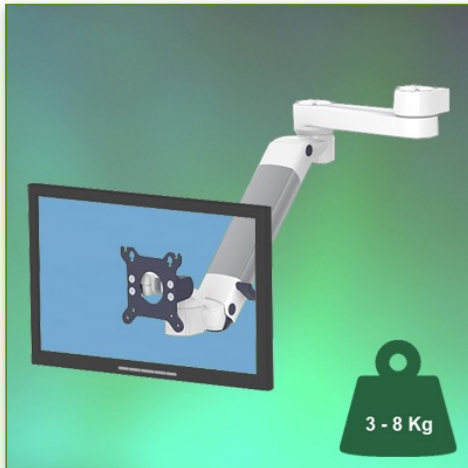
000.991.114-1

Graphite Grey and White

On Measure

= Depending on the elements

991.114-1

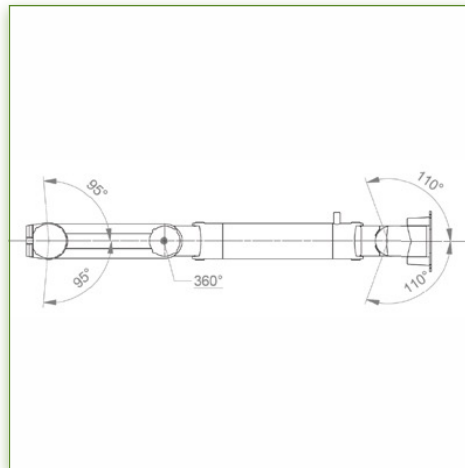
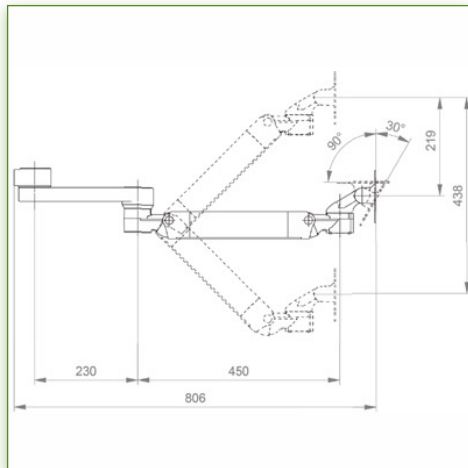


Display Compatibility: 26" Wide (Weight)
 Supported Weight: 3-8 Kg
 VESA standard: 75 / 100 mm

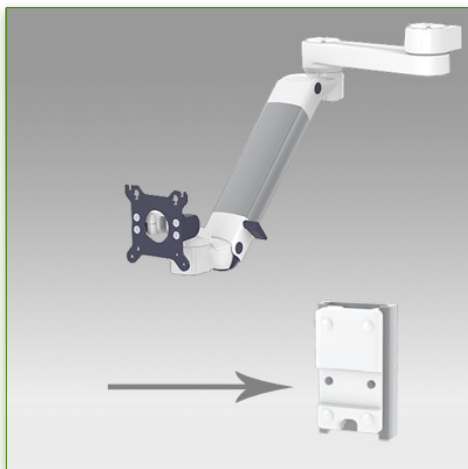
Up to 26" Wide (Weight)
 75/100 mm
 3-8 Kg



Do not hesitate to contact us if you have any questions about this product.

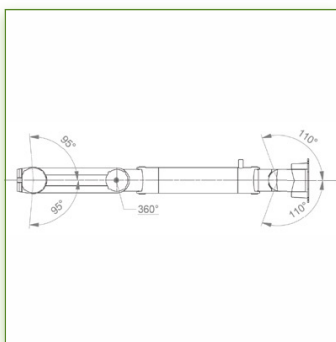
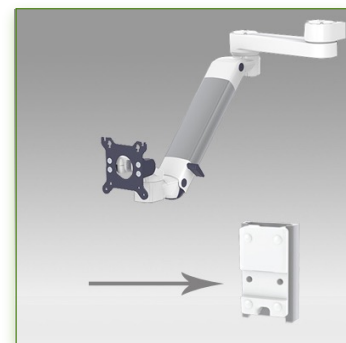
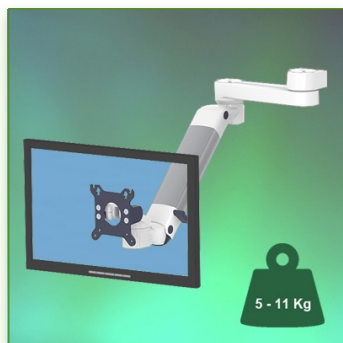


- Warranty: 5 years**
- 000.991.114-1
- Graphite Grey and White
- On Measure
- = Depending on the elements
- 991.114-1



Anti-bacterial properties:

IT medical arms are now designed with Microban antibacterial protection, a revolutionary treatment that guarantees optimal hygiene. IT medical arms integrate Microban and other antibacterial agents into all medical products. It inhibits the growth of bacteria of all types. This is not a surface treatment. It is 100% in the totality of the product. It does not alter the physico-mechanical properties of the medical arm lift system. Simulations over 30 years show that 100% of the antibacterial properties are maintained. All medical articulated arms incorporate Microban. Microban is the world's leading provider of anti-bacterial solutions. It has been successfully applied for more than 35 years in a wide range of products used in the hospital, construction and food industries.



Display Compatibility: 26" Wide (Weight)
 Supported Weight: 5-11 Kg
 VESA standard: 75 / 100 mm

PH Medical Monitor Arm (High Position) height adjustable 300 + 240 mm, wall mounting on vertical slide rail

This PH (High Position) Horizontal Medical Arm 300 + 240 mm with gas spring height adjustment allows the LCD screen to be perfectly fixed, oriented and adjusted. It is coated with an anti-microbial agent offering hygiene and cleaning down to the last detail. Its modern design has been specially designed for healthcare environments.

Technical specifications:

- * Integrated cable channel
- * Equipotential bonding
- * Optional Vertical Wall Slide Rail Mounting, including several lengths are available (480 mm - 720 mm - 960 mm - 1200 mm).

These wall rails can be easily cut to size you want.

All cables also pass through the wall rail.

(See Option below)

- * This PH Horizontal 300 +240 mm gas spring arm simply slips into the wall rail and then adjusts to the desired height and fixed. It has a safety height adjustment stop button, which allows the arm to remain in the chosen position.
- * Installation specific to the high position (PH)
- * The head of this arm complies with the screen mounting standard: VESA MIS-D 75 mm and 100 mm.
- * Compatible with screens whose weight does not exceed 5-11 Kg.
- * Touch screen stability. * Screen tilt: 50° down and 100° up
- * Screen rotation: 110° right, 110° left.
- * Arm rotation: 105° to the right, 105° to the left.
- * Height adjustment: 45° down, 45° up * Total length 806 mm
- * Compatible with multimedia terminals (TMM)
- * Colour RAL 7024 (Graphite grey) and White * Warranty: 5 years
- * All our medical arms are in conformity:

CE, ROHS, Medical Grade, Regulations MDD 93/42 ECC

Note: This arm can also be installed on one of our medical columns or trolleys.

Up to 26" Wide (Weight)
 75/100 mm
 5-11 Kg
MEDICAL GRADE

Do not hesitate to contact us if you have any questions about this product.

Warranty: 5 years

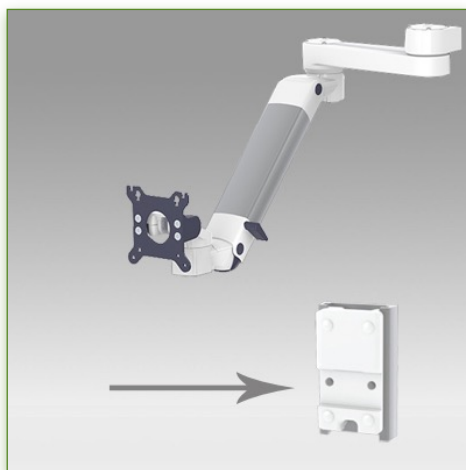
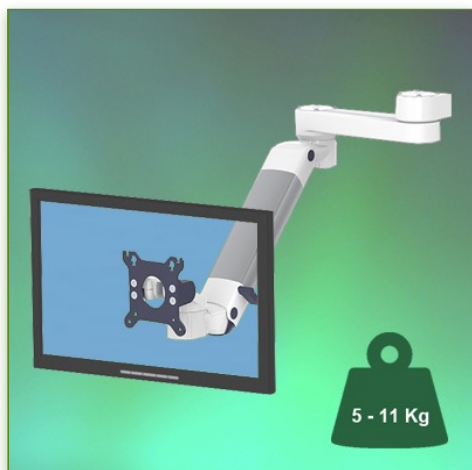
000.991.114-2

Graphite Grey and White

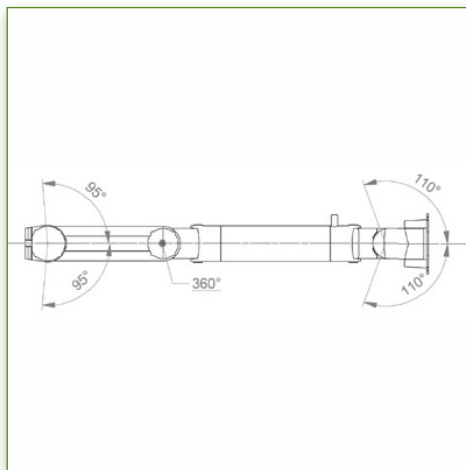
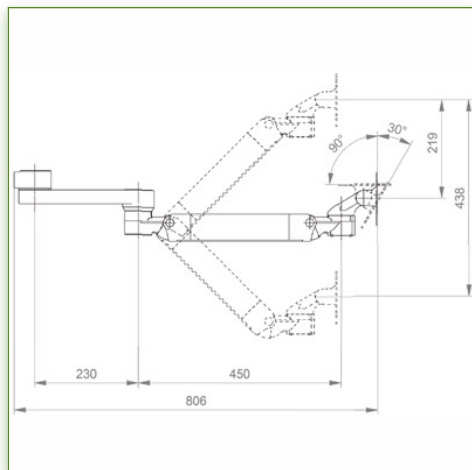
On Measure

= Depending on the elements

991.114-2



Display Compatibility: 26" Wide (Weight)
 Supported Weight: 5-11 Kg
 VESA standard: 75 / 100 mm



Do not hesitate to contact us if you have any questions about this product.

Warranty: 5 years

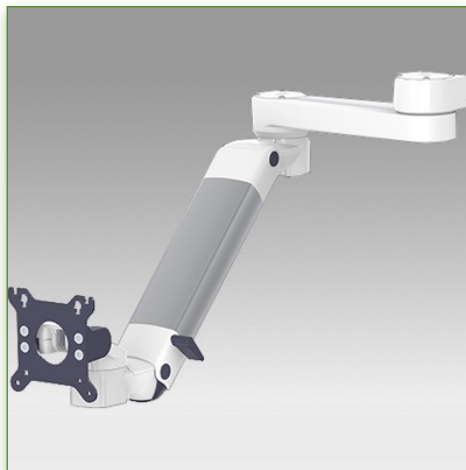
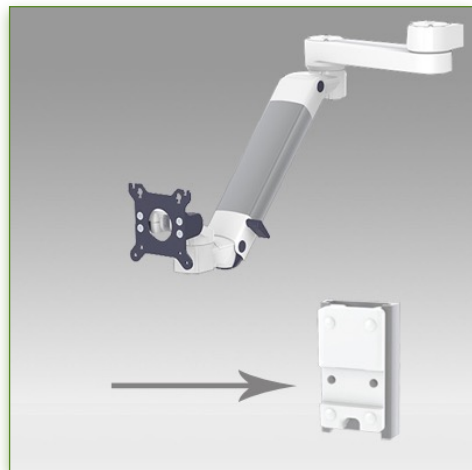
000.991.114-2

Graphite Grey and White

On Measure

= Depending on the elements

991.114-2

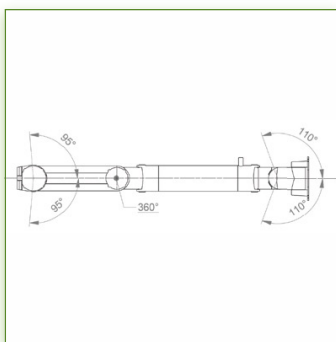
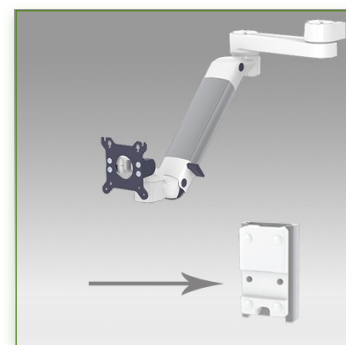
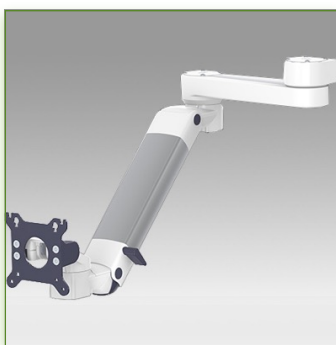
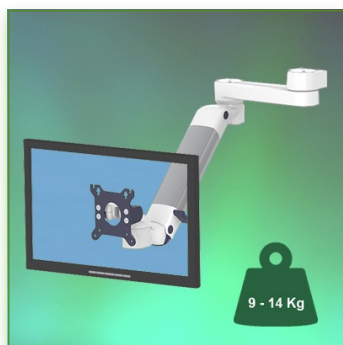


Anti-bacterial properties:

IT medical arms are now designed with Microban antibacterial protection, a revolutionary treatment that guarantees optimal hygiene. IT medical arms integrate Microban and other antibacterial agents into all medical products. It inhibits the growth of bacteria of all types. This is not a surface treatment.

It is 100% in the totality of the product. It does not alter the physico-mechanical properties of the medical arm lift system. Simulations over 30 years show that 100% of the antibacterial properties are maintained.

All medical articulated arms incorporate Microban. Microban is the world's leading provider of anti-bacterial solutions. It has been successfully applied for more than 35 years in a wide range of products used in the hospital, construction and food industries.



Display Compatibility: 26" Wide (Weight)
 Supported Weight: 9-14 Kg
 VESA standard: 75 / 100 mm

PH Medical Monitor Arm (High Position) height adjustable 300 + 240 mm, wall mounting on vertical slide rail

This PH (High Position) Horizontal Medical Arm 300 + 240 mm with gas spring height adjustment allows the LCD screen to be perfectly fixed, oriented and adjusted. It is coated with an anti-microbial agent offering hygiene and cleaning down to the last detail. Its modern design has been specially designed for healthcare environments.

Technical specifications:

- * Integrated cable channel
- * Equipotential bonding
- * Optional Vertical Wall Slide Rail Mounting, including several lengths are available (480 mm - 720 mm - 960 mm - 1200 mm).

These wall rails can be easily cut to size you want.

All cables also pass through the wall rail.

(See Option below)

- * This PH Horizontal 300 +240 mm gas spring arm simply slips into the wall rail and then adjusts to the desired height and fixed. It has a safety height adjustment stop button, which allows the arm to remain in the chosen position.
- * Installation specific to the high position (PH)
- * The head of this arm complies with the screen mounting standard: VESA MIS-D 75 mm and 100 mm.
- * Compatible with screens whose weight does not exceed 9-14 Kg.
- * Touch screen stability. * Screen tilt: 50° down and 100° up
- * Screen rotation: 110° right, 110° left.
- * Arm rotation: 105° to the right, 105° to the left.
- * Height adjustment: 45° down, 45° up * Total length 806 mm
- * Compatible with multimedia terminals (TMM)
- * Colour RAL 7024 (Graphite grey) and White * Warranty: 5 years
- * All our medical arms are in conformity:

CE, ROHS, Medical Grade, Regulations MDD 93/42 ECC

Note: This arm can also be installed on one of our medical columns or trolleys.

Do not hesitate to contact us if you have any questions about this product.

Warranty: 5 years

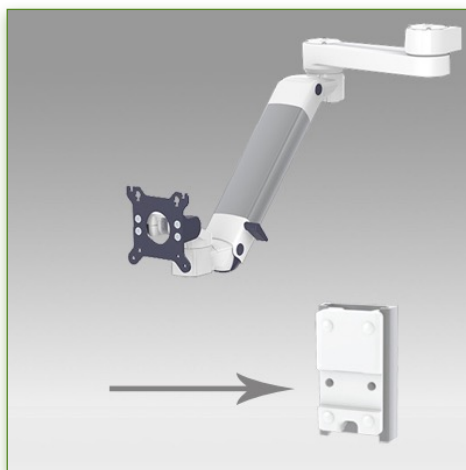
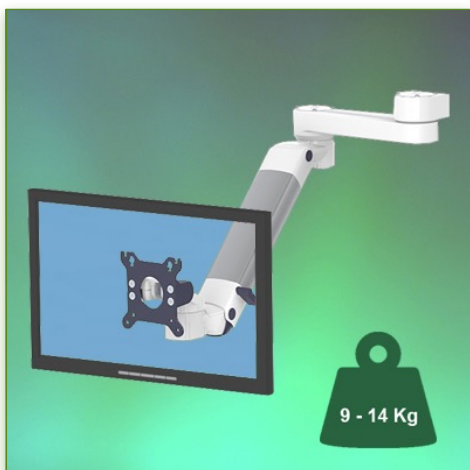
000.991.114-3

Graphite Grey and White

On Measure

= Depending on the elements

991.114-3



Display Compatibility: 26" Wide (Weight)
 Supported Weight: 9-14 Kg
 VESA standard: 75 / 100 mm



Up to 26" Wide (Weight)



75/100 mm



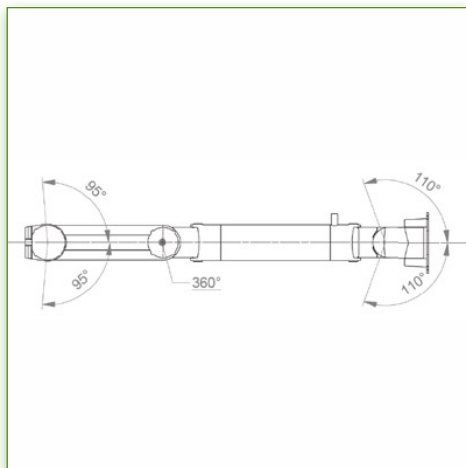
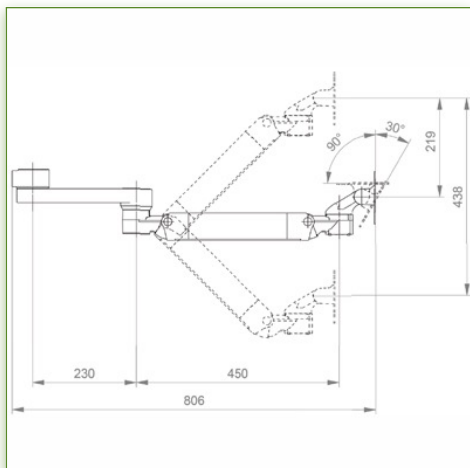
9-14 Kg



Medical Grade



Do not hesitate to contact us if you have any questions about this product.



Warranty: 5 years



000.991.114-3



Graphite Grey and White



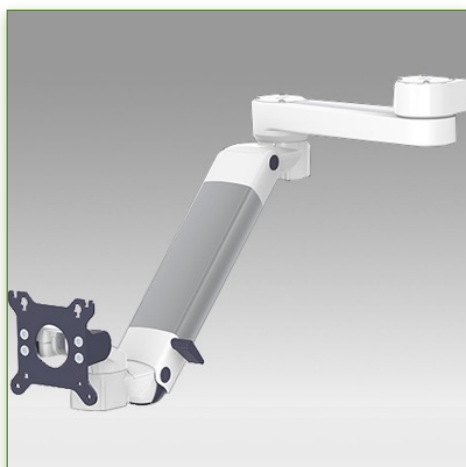
On Measure



= Depending on the elements



991.114-3

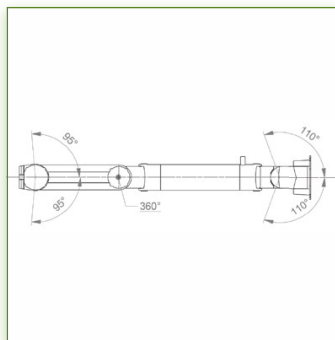
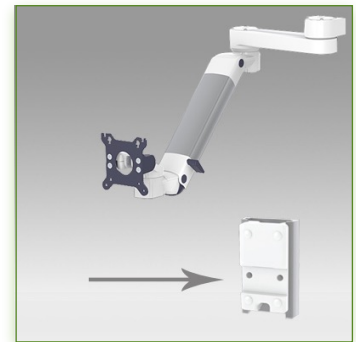
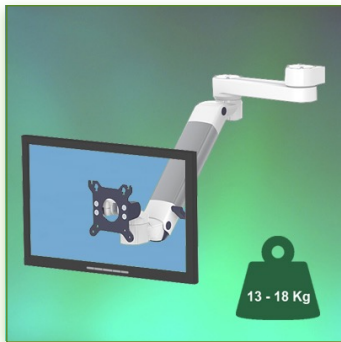


Anti-bacterial properties:

IT medical arms are now designed with Microban antibacterial protection, a revolutionary treatment that guarantees optimal hygiene. IT medical arms integrate Microban and other antibacterial agents into all medical products. It inhibits the growth of bacteria of all types. This is not a surface treatment.

It is 100% in the totality of the product. It does not alter the physico-mechanical properties of the medical arm lift system. Simulations over 30 years show that 100% of the antibacterial properties are maintained.

All medical articulated arms incorporate Microban. Microban is the world's leading provider of anti-bacterial solutions. It has been successfully applied for more than 35 years in a wide range of products used in the hospital, construction and food industries.



Display Compatibility: 26" Wide (Weight)
 Supported Weight: 13-18 Kg
 VESA standard: 75 / 100 mm

Up to 26" Wide (Weight)
 75/100 mm
 13-18 Kg

Do not hesitate to contact us if you have any questions about this product.

Warranty: 5 years

000.991.114-4

Graphite Grey and White

On Measure

= Depending on the elements

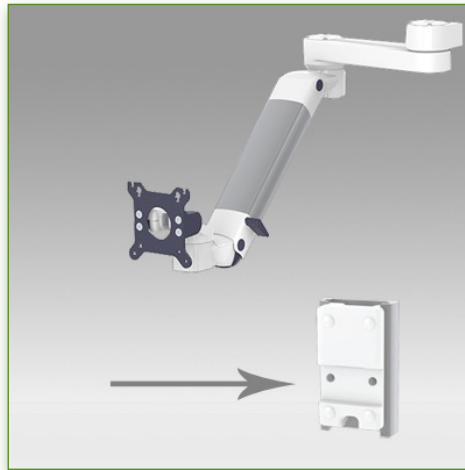
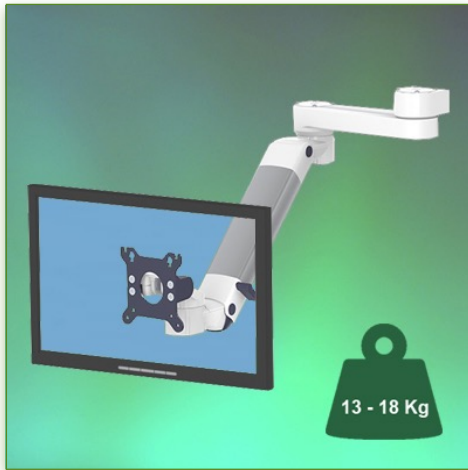
991.114-4

PH Medical Monitor Arm (High Position) height adjustable 300 + 240 mm, wall mounting on vertical slide rail

This PH (High Position) Horizontal Medical Arm 300 + 240 mm with gas spring height adjustment allows the LCD screen to be perfectly fixed, oriented and adjusted. It is coated with an anti-microbial agent offering hygiene and cleaning down to the last detail. Its modern design has been specially designed for healthcare environments.

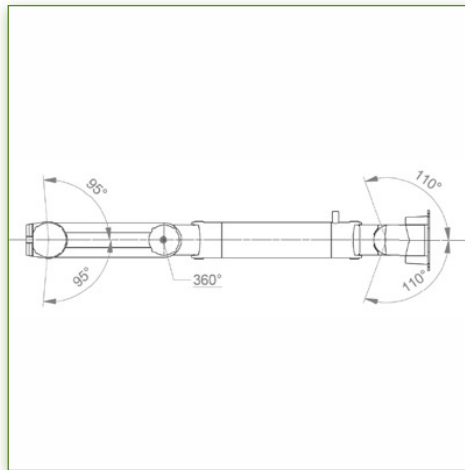
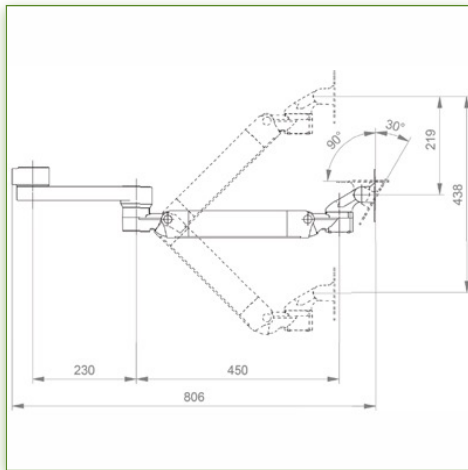
Technical specifications:

- * Integrated cable channel
 - * Equipotential bonding
 - * Optional Vertical Wall Slide Rail Mounting, including several lengths are available (480 mm - 720 mm - 960 mm - 1200 mm). These wall rails can be easily cut to size you want. All cables also pass through the wall rail. (See Option below)
 - * This PH Horizontal 300 +240 mm gas spring arm simply slips into the wall rail and then adjusts to the desired height and fixed. It has a safety height adjustment stop button, which allows the arm to remain in the chosen position.
 - * Installation specific to the high position (PH)
 - * The head of this arm complies with the screen mounting standard: VESA MIS-D 75 mm and 100 mm.
 - * Compatible with screens whose weight does not exceed 13-18 Kg.
 - * Touch screen stability. * Screen tilt: 50° down and 100° up
 - * Screen rotation: 110° right, 110° left.
 - * Arm rotation: 105° to the right, 105° to the left.
 - * Height adjustment: 45° down, 45° up * Total length 806 mm
 - * Compatible with multimedia terminals (TMM)
 - * Colour RAL 7024 (Graphite grey) and White * Warranty: 5 years
 - * All our medical arms are in conformity: CE, ROHS, Medical Grade, Regulations MDD 93/42 ECC
- Note: This arm can also be installed on one of our medical columns or trolleys.



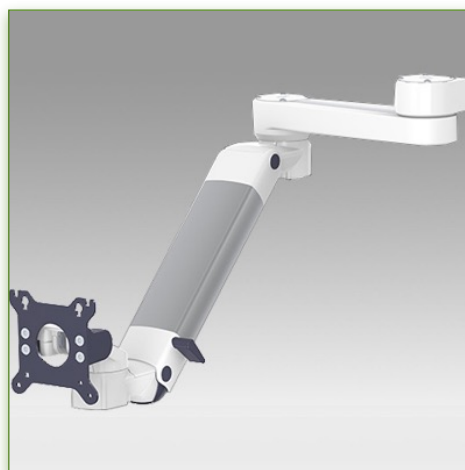
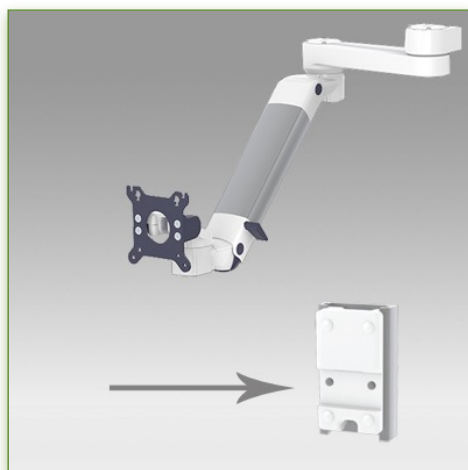
Display Compatibility: 26" Wide (Weight)
 Supported Weight: 13-18 Kg
 VESA standard: 75 / 100 mm

Up to 26" Wide (Weight)
 75/100 mm
 13-18 Kg



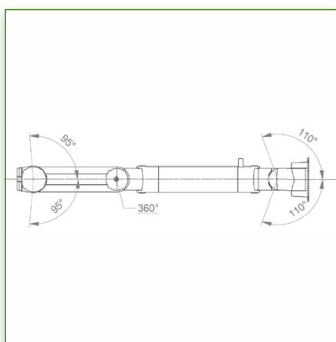
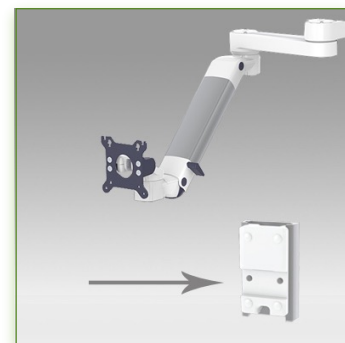
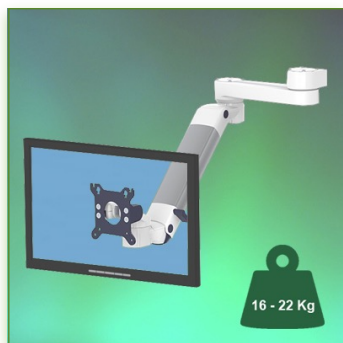
Do not hesitate to contact us if you have any questions about this product.

- Warranty: 5 years**
- 000.991.114-4**
- Graphite Grey and White**
- On Measure**
- = Depending on the elements**
- 991.114-4**

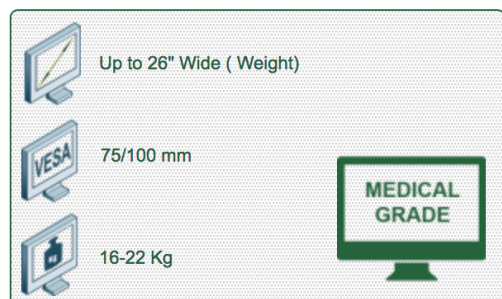


Anti-bacterial properties:

IT medical arms are now designed with Microban antibacterial protection, a revolutionary treatment that guarantees optimal hygiene. IT medical arms integrate Microban and other antibacterial agents into all medical products. It inhibits the growth of bacteria of all types. This is not a surface treatment. It is 100% in the totality of the product. It does not alter the physico-mechanical properties of the medical arm lift system. Simulations over 30 years show that 100% of the antibacterial properties are maintained. All medical articulated arms incorporate Microban. Microban is the world's leading provider of anti-bacterial solutions. It has been successfully applied for more than 35 years in a wide range of products used in the hospital, construction and food industries.



Display Compatibility: 26" Wide (Weight)
 Supported Weight: 13-18 Kg
 VESA standard: 75 / 100 mm



Do not hesitate to contact us if you have any questions about this product.

Warranty: 5 years

000.991.114-5

Graphite Grey and White

On Measure

= Depending on the elements

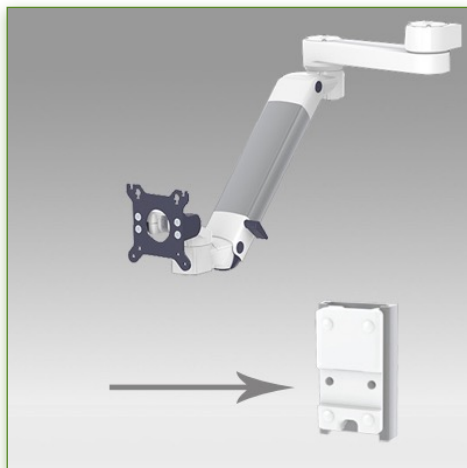
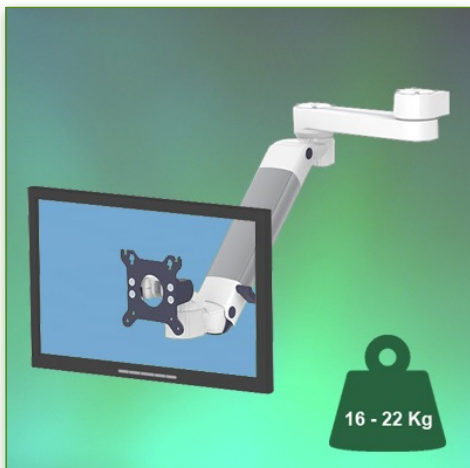
991.114-5

PH Medical Monitor Arm (High Position) height adjustable 300 + 240 mm, wall mounting on vertical slide rail

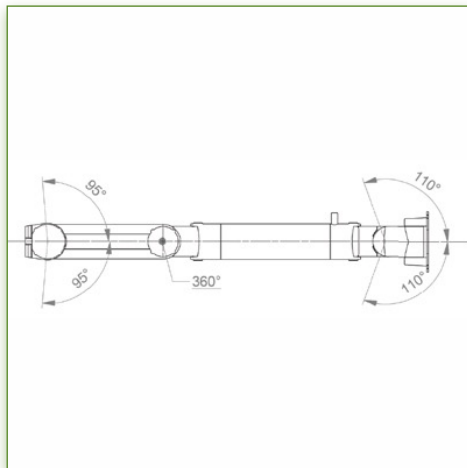
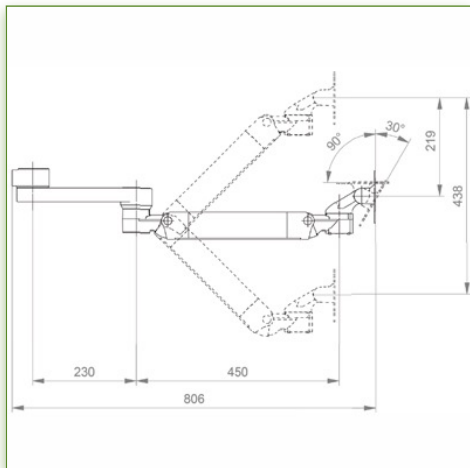
This PH (High Position) Horizontal Medical Arm 300 + 240 mm with gas spring height adjustment allows the LCD screen to be perfectly fixed, oriented and adjusted. It is coated with an anti-microbial agent offering hygiene and cleaning down to the last detail. Its modern design has been specially designed for healthcare environments.

Technical specifications:

- * Integrated cable channel
 - * Equipotential bonding
 - * Optional Vertical Wall Slide Rail Mounting, including several lengths are available (480 mm - 720 mm - 960 mm - 1200 mm). These wall rails can be easily cut to size you want. All cables also pass through the wall rail. (See Option below)
 - * This PH Horizontal 300 +240 mm gas spring arm simply slips into the wall rail and then adjusts to the desired height and fixed. It has a safety height adjustment stop button, which allows the arm to remain in the chosen position.
 - * Installation specific to the high position (PH)
 - * The head of this arm complies with the screen mounting standard: VESA MIS-D 75 mm and 100 mm.
 - * Compatible with screens whose weight does not exceed 16-22 Kg.
 - * Touch screen stability. * Screen tilt: 50° down and 100° up
 - * Screen rotation: 110° right, 110° left.
 - * Arm rotation: 105° to the right, 105° to the left.
 - * Height adjustment: 45° down, 45° up * Total length 806 mm
 - * Compatible with multimedia terminals (TMM)
 - * Colour RAL 7024 (Graphite grey) and White * Warranty: 5 years
 - * All our medical arms are in conformity: CE, ROHS, Medical Grade, Regulations MDD 93/42 ECC
- Note: This arm can also be installed on one of our medical columns or trolleys.

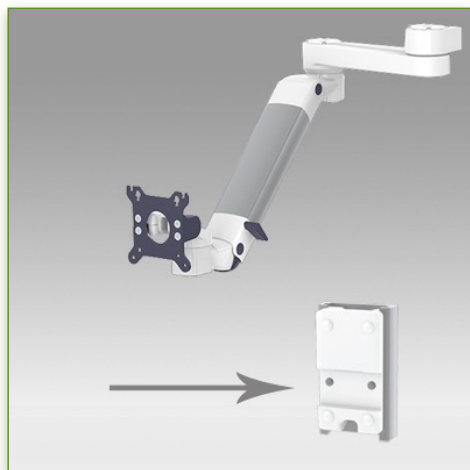


Display Compatibility: 26" Wide (Weight)
 Supported Weight: 13-18 Kg
 VESA standard: 75 / 100 mm



Do not hesitate to contact us if you have any questions about this product.

- Warranty: 5 years**
- 000.991.114-5
- Graphite Grey and White**
- On Measure**
- = Depending on the elements
- 991.114-5**



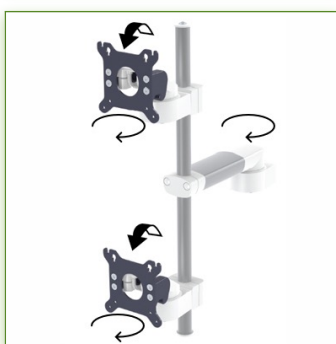
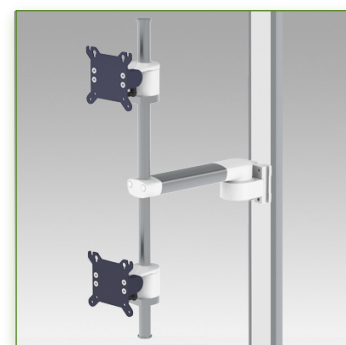
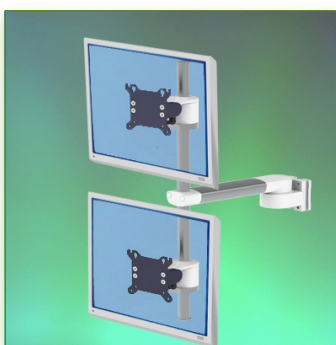
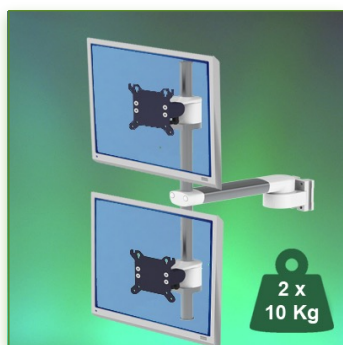
Anti-bacterial properties:

IT medical arms are now designed with Microban antibacterial protection, a revolutionary treatment that guarantees optimal hygiene. IT medical arms integrate Microban and other antibacterial agents into all medical products. It inhibits the growth of bacteria of all types. This is not a surface treatment.

It is 100% in the totality of the product.

It does not alter the physico-mechanical properties of the medical arm lift system. Simulations over 30 years show that 100% of the antibacterial properties are maintained.

All medical articulated arms incorporate Microban. Microban is the world's leading provider of anti-bacterial solutions. It has been successfully applied for more than 35 years in a wide range of products used in the hospital, construction and food industries.



Display Compatibility: 26" Wide (Weight)
Supported Weight: 2 x 10 Kg
VESA standard: 75 / 100 mm

Up to 26" Wide (Weight)
75/100 mm
2 x 10 Kg
MEDICAL GRADE

Do not hesitate to contact us if you have any questions about this product.

Warranty: 5 years

000.991.843

Graphite Grey and White

On Measure

= Depending on the elements

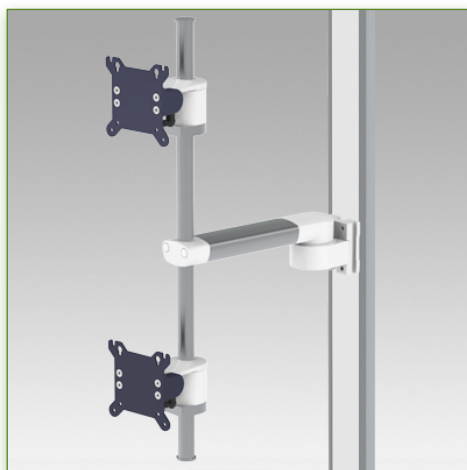
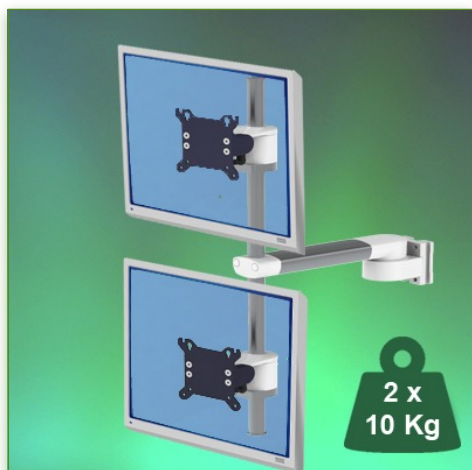
991.843

Horizontal Medical Arm 240 mm equipped with a pole for two screens wall mounting on vertical slide rail

This 240 mm Horizontal Medical Arm equipped with a pole allows two LCD screens to be perfectly fixed, oriented and adjusted. It is coated with an anti-microbial agent offering hygiene and cleaning down to the last detail. Its modern design has been specially designed for healthcare environments.

Technical specifications:

- * Integrated cable channel
 - * Optional Vertical Wall Slide Rail Mounting, including several lengths are available (480 mm - 720 mm - 960 mm - 1200 mm). These wall rails can be easily cut to size you want. All cables also pass through the wall rail. (See Option below)
 - * This 240 mm Horizontal Arm with Pole simply slides into the wall rail and then adjust to the desired height and fixed. Rotary head.
 - * The heads comply with the screen mounting standard: VESA MIS-D 75 mm and 100 mm.
 - * Compatible with screens whose weight does not exceed 10 Kg either 20 Kg total.
 - * Touch screen stability.
 - * Screen tilt: 20° down and 20° up
 - * Screen rotation: 45° to the right, 45° to the left.
 - * Arm rotation: 45° to the right, 45° to the left.
 - * Total length 387 mm
 - * Compatible with multimedia terminals (TMM)
 - * Colour RAL 7024 (Graphite grey) and White * Warranty: 5 years
 - * All our medical arms are in conformity: CE, ROHS, Medical Grade, Regulations MDD 93/42 ECC.
- Note: This arm can also be installed on one of our medical columns or trolleys.



Display Compatibility: 26" Wide (Weight)
Supported Weight: 2 x 10 Kg
VESA standard: 75 / 100 mm



Up to 26" Wide (Weight)



75/100 mm



2 x 10 Kg



Medical Grade



Do not hesitate to contact us if you have any questions about this product.



Warranty: 5 years



000.991.843



Graphite Grey and White



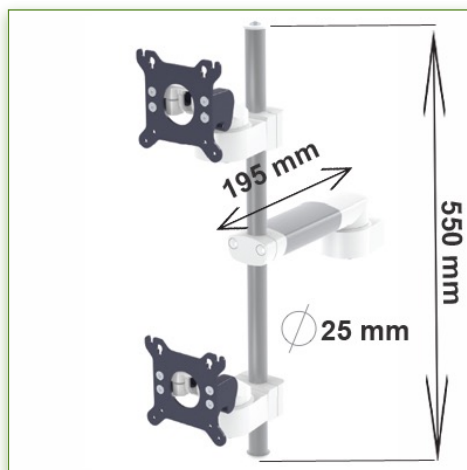
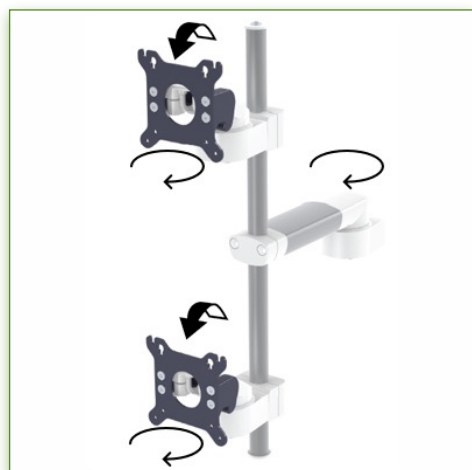
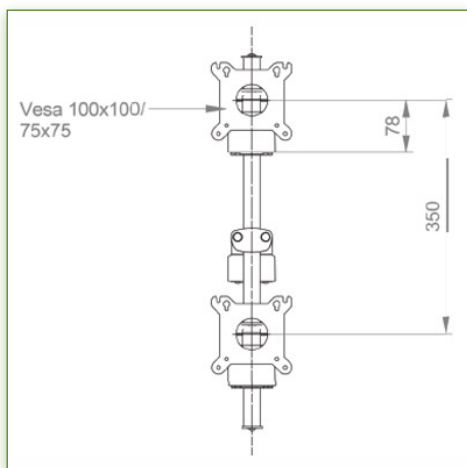
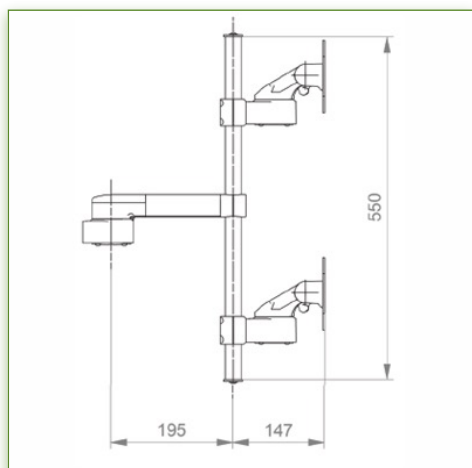
On Measure



= Depending on the elements



991.843



Anti-bacterial properties:

IT medical arms are now designed with Microban antibacterial protection, a revolutionary treatment that guarantees optimal hygiene. IT medical arms integrate Microban and other antibacterial agents into all medical products. It inhibits the growth of bacteria of all types. This is not a surface treatment.

It is 100% in the totality of the product.

It does not alter the physico-mechanical properties of the medical arm lift system. Simulations over 30 years show that 100% of the antibacterial properties are maintained.

All medical articulated arms incorporate Microban. Microban is the world's leading provider of anti-bacterial solutions. It has been successfully applied for more than 35 years in a wide range of products used in the hospital, construction and food industries.



Display Compatibility: 26" Wide (Weight)
 Supported Weight: 25 Kg
 VESA standard: 75 / 100 mm

Up to 26" Wide (Weight)
 75/100 mm
 25 Kg

Do not hesitate to contact us if you have any questions about this product.

Warranty: 5 years

000.991.845

Graphite Grey and White

On Measure

= Depending on the elements

991.845

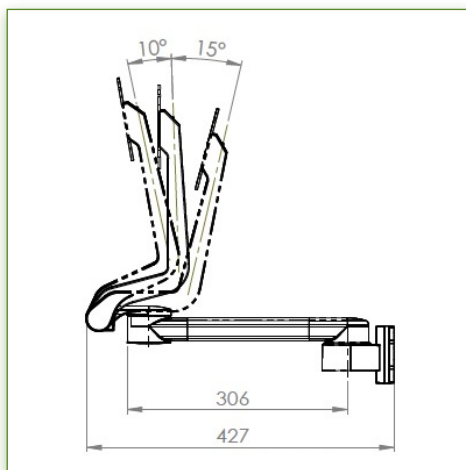
306 mm Horizontal Swivel Stand Medical Arm with 10° to 15° Tilting
Foot wall mounting on vertical slide rail

This 278 mm Horizontal Swivel Stand Arm allows the LCD screen to be perfectly fixed, oriented and adjusted. It is coated with an anti-microbial agent offering hygiene and cleaning down to the last detail. Its modern design has been specially designed for healthcare environments.

Technical specifications:

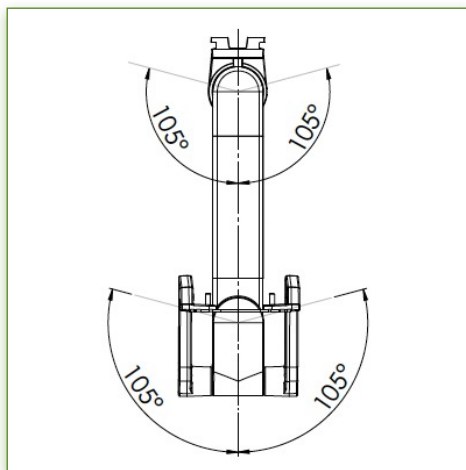
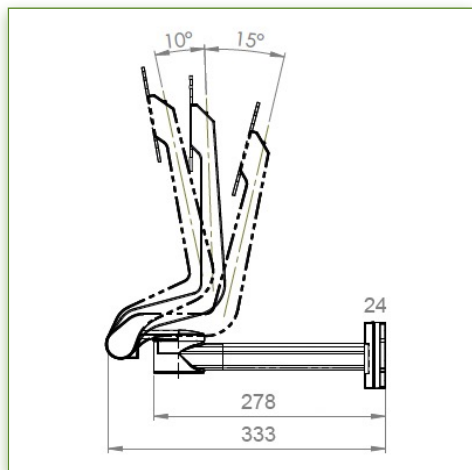
- * Integrated cable channel
- * Optional Vertical Wall Slide Rail Mounting, including several lengths are available (480 mm - 720 mm - 960 mm - 1200 mm). These wall rails can be easily cut to size you want. All cables also pass through the wall rail. (See Option below)
- * This 306 mm Horizontal Swivelling Arm simply slips into the wall rail and then adjust to the desired height and fixed. He doesn't own height adjustment but swivels on itself.
- * The head of this arm complies with the screen mounting standard: VESA MIS-D 75 mm and 100 mm.
- * Compatible with screens whose weight does not exceed 25 Kg.
- * Touch screen stability. * Total length 333 mm
- * Height of the screen stand: 315 mm not inclined, 295 mm inclined
- * Stand rotation: 210°. * Arm rotation: 210°.
- * Compatible with multimedia terminals (TMM)
- * Colour RAL 7024 (Graphite grey) and White
- * All our medical arms are in conformity: CE, ROHS, Medical Grade, Regulations MDD 93/42 ECC.
- * Warranty: 5 years

Note: This arm can also be installed on one of our medical columns or trolleys.



Display Compatibility: 26" Wide (Weight)
 Supported Weight: 25 Kg
 VESA standard: 75 / 100 mm

Up to 26" Wide (Weight)
 75/100 mm
 25 Kg



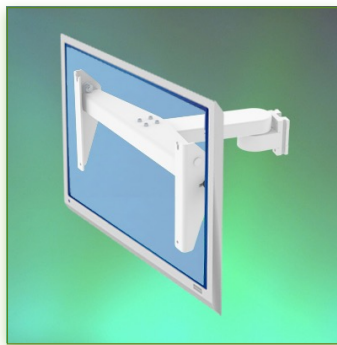
Do not hesitate to contact us if you have any questions about this product.

- Warranty: 5 years
- 000.991.845
- Graphite Grey and White
- On Measure
- = Depending on the elements
- 991.845



Anti-bacterial properties:

IT medical arms are now designed with Microban antibacterial protection, a revolutionary treatment that guarantees optimal hygiene. IT medical arms integrate Microban and other antibacterial agents into all medical products. It inhibits the growth of bacteria of all types. This is not a surface treatment. It is 100% in the totality of the product. It does not alter the physico-mechanical properties of the medical arm lift system. Simulations over 30 years show that 100% of the antibacterial properties are maintained. All medical articulated arms incorporate Microban. Microban is the world's leading provider of anti-bacterial solutions. It has been successfully applied for more than 35 years in a wide range of products used in the hospital, construction and food industries.



Screen Compatibility: Widescreen
Supported Weight: 40 Kg
VESA standard: 200 / 200 mm

Medical Monitor Arm Horizontal 300 mm arm equipped with a VESA 200 x 200 adapter with 12.5° inclination for heavy screen of 40 Kg maximum wall mounting on vertical slide rail

This 300mm Horizontal Widescreen Arm allows the large LCD screen to be perfectly fixed, oriented and adjusted. It is coated with an anti-microbial agent offering hygiene and cleaning down to the last detail. Its modern design has been specially designed for healthcare environments.

Technical specifications:

- * Integrated cable channel
 - * Optional Vertical Wall Slide Rail Mounting, including several lengths are available (480 mm - 720 mm - 960 mm - 1200 mm). These wall rails can be easily cut to size you want. All cables also pass through the wall rail. (See Option below)
 - * This 300mm Horizontal Widescreen Arm simply slides into the wall rail and then adjust to the desired height and fixed. It does not have a height adjustment, but allows the inclination of the screen.
 - * The head of this arm complies with the screen mounting standard: VESA MIS-D 200 mm x 200 mm.
 - * Compatible with screens whose weight does not exceed 40 Kg.
 - * Touch screen stability. * Screen tilt: 12.5° down
 - * Arm rotation: 105° to the right, 105° to the left.
 - * Total length 371 mm
 - * Colour RAL 7024 (Graphite grey) and White
 - * All our medical arms are in conformity: CE, ROHS, Medical Grade, Regulations MDD 93/42 ECC.
 - * Warranty: 5 years
- Note: This arm can also be installed on one of our medical columns or trolleys.

Widescreen (Weight)

VESA 200 / 200 mm

40 Kg



Do not hesitate to contact us if you have any questions about this product.

Warranty: 5 years

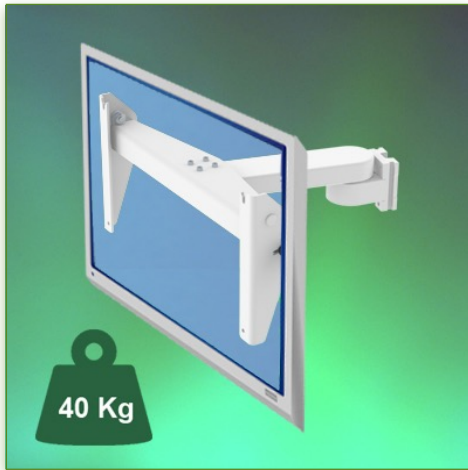
000.991.846

Graphite Grey and White

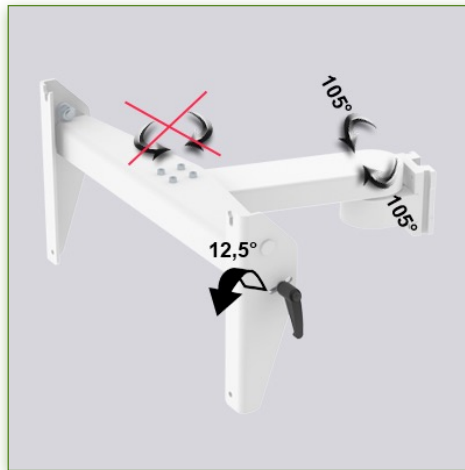
On Measure

= Depending on the elements

991.846

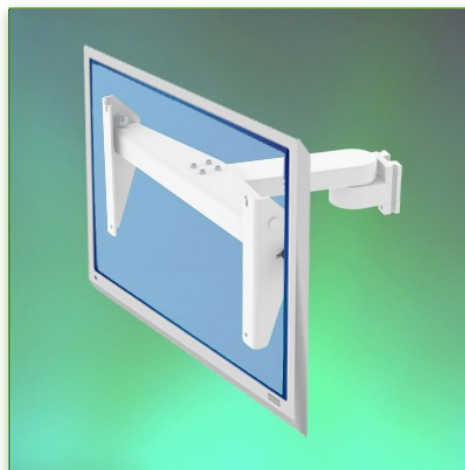
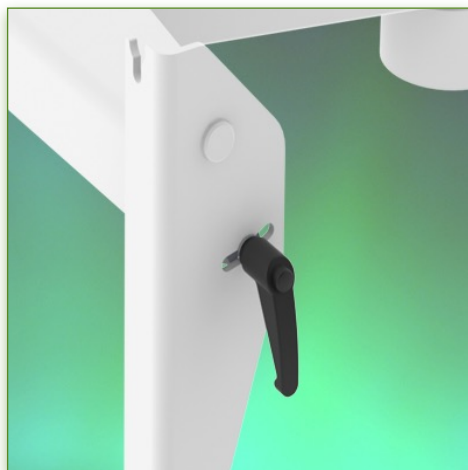


Screen Compatibility: Widescreen
Supported Weight: 40 Kg
VESA standard: 200 / 200 mm



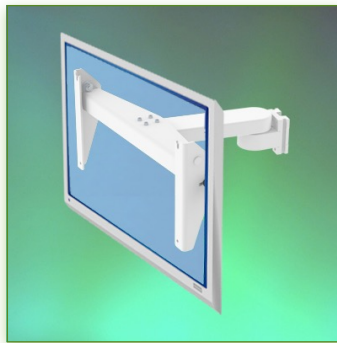
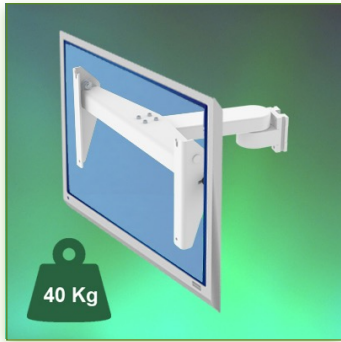
Do not hesitate to contact us if you have any questions about this product.

- Warranty: 5 years
- 000.991.846
- Graphite Grey and White
- On Measure
- = Depending on the elements
- 991.846



Anti-bacterial properties:

IT medical arms are now designed with Microban antibacterial protection, a revolutionary treatment that guarantees optimal hygiene. IT medical arms integrate Microban and other antibacterial agents into all medical products. It inhibits the growth of bacteria of all types. This is not a surface treatment. It is 100% in the totality of the product. It does not alter the physico-mechanical properties of the medical arm lift system. Simulations over 30 years show that 100% of the antibacterial properties are maintained. All medical articulated arms incorporate Microban. Microban is the world's leading provider of anti-bacterial solutions. It has been successfully applied for more than 35 years in a wide range of products used in the hospital, construction and food industries.



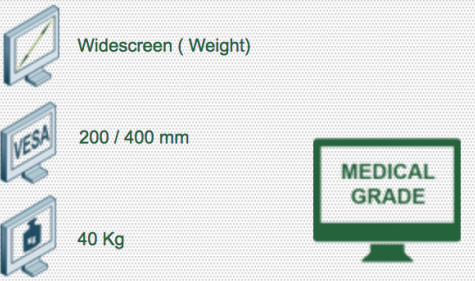
Screen Compatibility: Widescreen
Supported Weight: 40 Kg
VESA standard: 200 / 400 mm

Medical Monitor Arm Horizontal 300 mm arm equipped with a VESA 200 x 400 adapter with 12.5° inclination for heavy screen of 40 Kg maximum wall mounting on vertical slide rail

This 300mm Horizontal Widescreen Arm allows the large LCD screen to be perfectly fixed, oriented and adjusted. It is coated with an anti-microbial agent offering hygiene and cleaning down to the last detail. Its modern design has been specially designed for healthcare environments.

Technical specifications:

- * Integrated cable channel
 - * Optional Vertical Wall Slide Rail Mounting, including several lengths are available (480 mm - 720 mm - 960 mm - 1200 mm). These wall rails can be easily cut to size you want. All cables also pass through the wall rail. (See Option below)
 - * This 300mm Horizontal Widescreen Arm simply slides into the wall rail and then adjust to the desired height and fixed. It does not have a height adjustment, but allows the inclination of the screen.
 - * The head of this arm complies with the screen mounting standard: VESA MIS-D 200 mm x 400 mm.
 - * Compatible with screens whose weight does not exceed 40 Kg.
 - * Touch screen stability. * Screen tilt: 12.5° down
 - * Arm rotation: 105° to the right, 105° to the left.
 - * Total length 371 mm
 - * Colour RAL 7024 (Graphite grey) and White
 - * All our medical arms are in conformity: CE, ROHS, Medical Grade, Regulations MDD 93/42 ECC.
 - * Warranty: 5 years
- Note: This arm can also be installed on one of our medical columns or trolleys.



Do not hesitate to contact us if you have any questions about this product.

Warranty: 5 years

000.991.847

Graphite Grey and White

On Measure

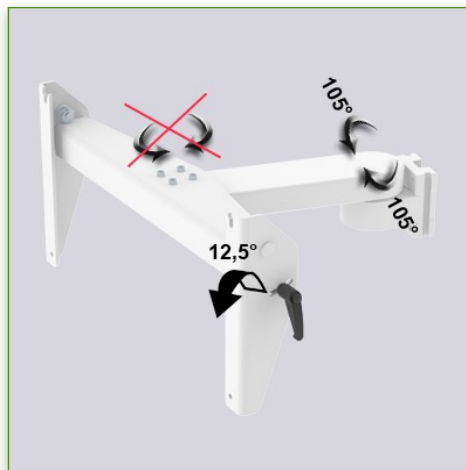
= Depending on the elements

991.847



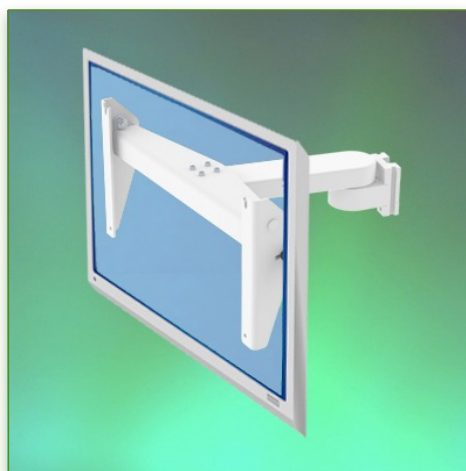
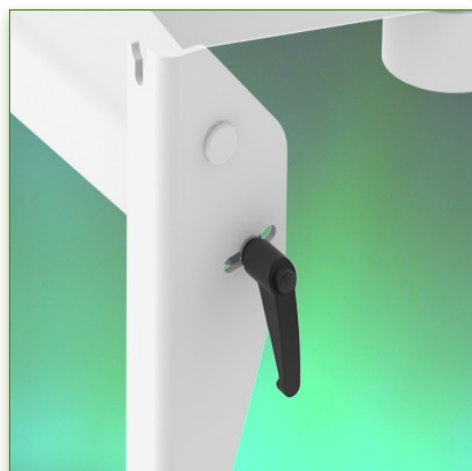
Screen Compatibility: Widescreen
Supported Weight: 40 Kg
VESA standard: 200 / 400 mm

Widescreen (Weight)
200 / 400 mm
40 Kg



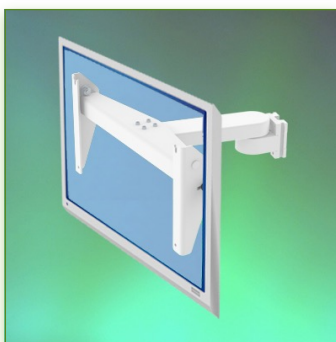
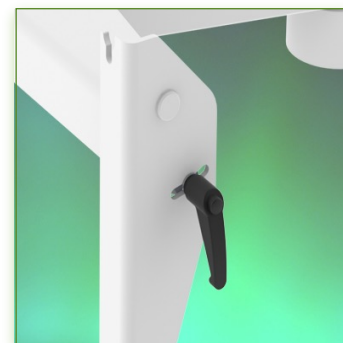
Do not hesitate to contact us if you have any questions about this product.

- Warranty: 5 years
- 000.991.847
- Graphite Grey and White
- On Measure
- = Depending on the elements
- 991.847



Anti-bacterial properties:

IT medical arms are now designed with Microban antibacterial protection, a revolutionary treatment that guarantees optimal hygiene. IT medical arms integrate Microban and other antibacterial agents into all medical products. It inhibits the growth of bacteria of all types. This is not a surface treatment. It is 100% in the totality of the product. It does not alter the physico-mechanical properties of the medical arm lift system. Simulations over 30 years show that 100% of the antibacterial properties are maintained. All medical articulated arms incorporate Microban. Microban is the world's leading provider of anti-bacterial solutions. It has been successfully applied for more than 35 years in a wide range of products used in the hospital, construction and food industries.



Screen Compatibility: Widescreen
Supported Weight: 40 Kg
VESA standard: 200 / 600 mm

Medical Monitor Arm Horizontal 300 mm arm equipped with a VESA 200 x 600 adapter with 12.5° inclination for heavy screen of 40 Kg maximum wall mounting on vertical slide rail

This 300mm Horizontal Widescreen Arm allows the large LCD screen to be perfectly fixed, oriented and adjusted. It is coated with an anti-microbial agent offering hygiene and cleaning down to the last detail. Its modern design has been specially designed for healthcare environments.

Technical specifications:

- * Integrated cable channel
 - * Optional Vertical Wall Slide Rail Mounting, including several lengths are available (480 mm - 720 mm - 960 mm - 1200 mm). These wall rails can be easily cut to size you want. All cables also pass through the wall rail. (See Option below)
 - * This 300mm Horizontal Widescreen Arm simply slides into the wall rail and then adjust to the desired height and fixed. It does not have a height adjustment, but allows the inclination of the screen.
 - * The head of this arm complies with the screen mounting standard: VESA MIS-D 200 mm x 600 mm.
 - * Compatible with screens whose weight does not exceed 40 Kg.
 - * Touch screen stability. * Screen tilt: 12.5° down
 - * Arm rotation: 105° to the right, 105° to the left.
 - * Total length 371 mm
 - * Colour RAL 7024 (Graphite grey) and White
 - * All our medical arms are in conformity: CE, ROHS, Medical Grade, Regulations MDD 93/42 ECC.
 - * Warranty: 5 years
- Note: This arm can also be installed on one of our medical columns or trolleys.

Do not hesitate to contact us if you have any questions about this product.

Warranty: 5 years

000.991.848

Graphite Grey and White

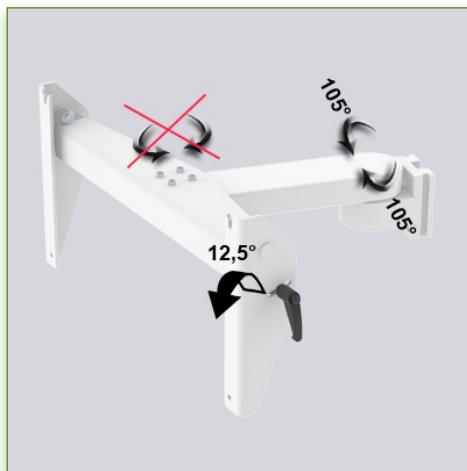
On Measure

= Depending on the elements

991.848

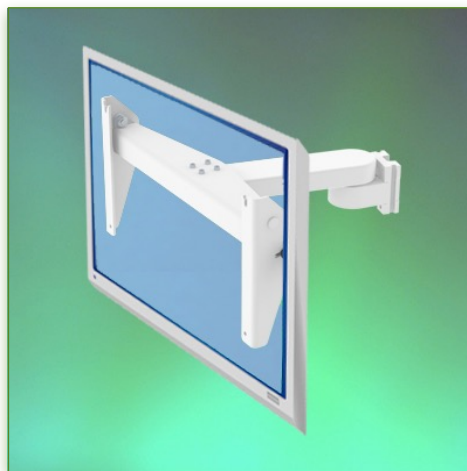
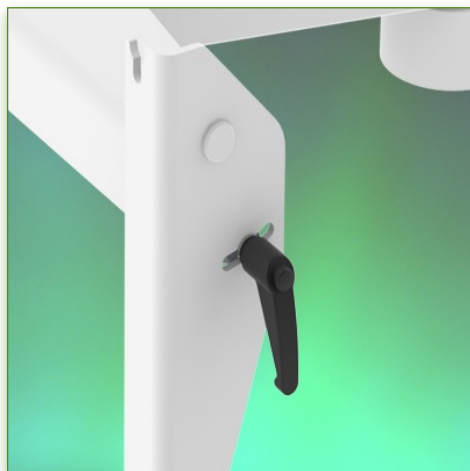


Screen Compatibility: Widescreen
Supported Weight: 40 Kg
VESA standard: 200 / 600 mm



Do not hesitate to contact us if you have any questions about this product.

- Warranty: 5 years
- 000.991.848
- Graphite Grey and White
- On Measure
- = Depending on the elements
- 991.848

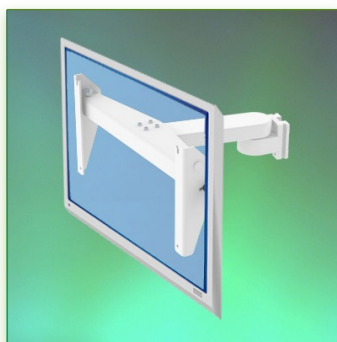
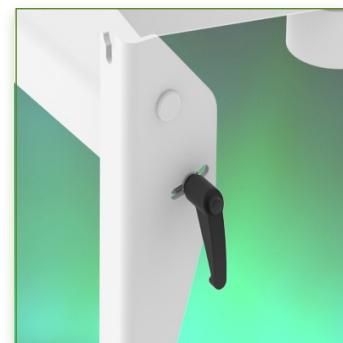
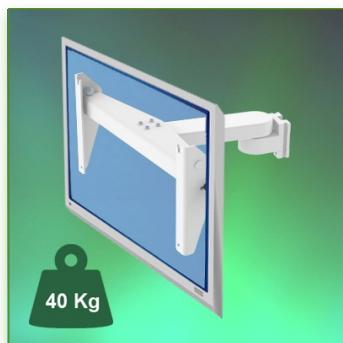


Anti-bacterial properties:

IT medical arms are now designed with Microban antibacterial protection, a revolutionary treatment that guarantees optimal hygiene. IT medical arms integrate Microban and other antibacterial agents into all medical products. It inhibits the growth of bacteria of all types. This is not a surface treatment.

It is 100% in the totality of the product. It does not alter the physico-mechanical properties of the medical arm lift system. Simulations over 30 years show that 100% of the antibacterial properties are maintained.

All medical articulated arms incorporate Microban. Microban is the world's leading provider of anti-bacterial solutions. It has been successfully applied for more than 35 years in a wide range of products used in the hospital, construction and food industries.



Screen Compatibility: Widescreen
Supported Weight: 40 Kg
VESA standard: 400 / 600 mm

Medical Monitor Arm Horizontal 300 mm arm equipped with a VESA 400 x 600 adapter with 12.5° inclination for heavy screen of 40 Kg maximum wall mounting on vertical slide rail

This 300mm Horizontal Widescreen Arm allows the large LCD screen to be perfectly fixed, oriented and adjusted. It is coated with an anti-microbial agent offering hygiene and cleaning down to the last detail. Its modern design has been specially designed for healthcare environments.

Technical specifications:

- * Integrated cable channel
 - * Optional Vertical Wall Slide Rail Mounting, including several lengths are available (480 mm - 720 mm - 960 mm - 1200 mm). These wall rails can be easily cut to size you want. All cables also pass through the wall rail. (See Option below)
 - * This 300mm Horizontal Widescreen Arm simply slides into the wall rail and then adjust to the desired height and fixed. It does not have a height adjustment, but allows the inclination of the screen.
 - * The head of this arm complies with the screen mounting standard: VESA MIS-D 400 mm x 600 mm.
 - * Compatible with screens whose weight does not exceed 40 Kg.
 - * Touch screen stability. * Screen tilt: 12.5° down
 - * Arm rotation: 105° to the right, 105° to the left.
 - * Total length 371 mm
 - * Colour RAL 7024 (Graphite grey) and White
 - * All our medical arms are in conformity: CE, ROHS, Medical Grade, Regulations MDD 93/42 ECC.
 - * Warranty: 5 years
- Note: This arm can also be installed on one of our medical columns or trolleys.

Widescreen (Weight)

VESA 400 / 600 mm

40 Kg



Do not hesitate to contact us if you have any questions about this product.

Warranty: 5 years

000.991.849

Graphite Grey and White

On Measure

= Depending on the elements

991.849



Screen Compatibility: Widescreen
Supported Weight: 40 Kg
VESA standard: 400 / 600 mm



Widescreen (Weight)



400 / 600 mm



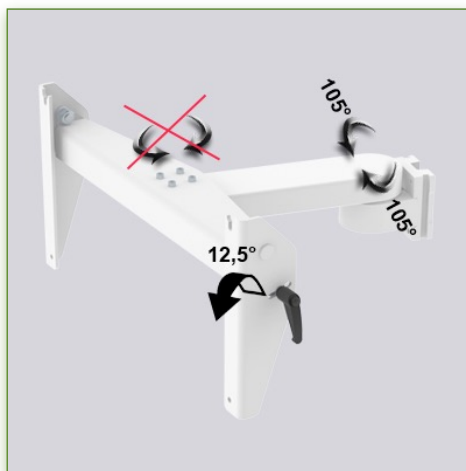
40 Kg



Medical Grade



Do not hesitate to contact us if you have any questions about this product.



Warranty: 5 years



000.991.849



Graphite Grey and White



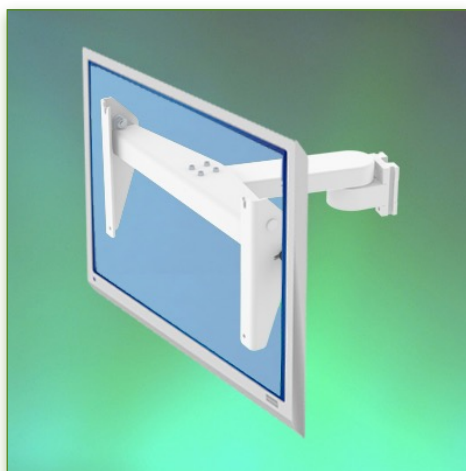
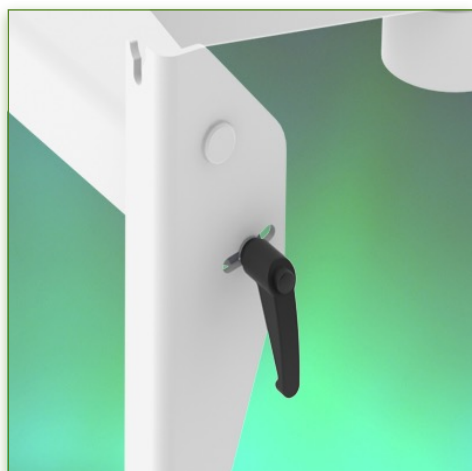
On Measure



= Depending on the elements



991.849

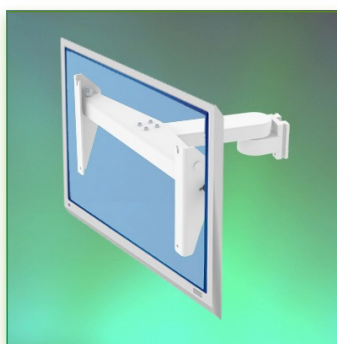
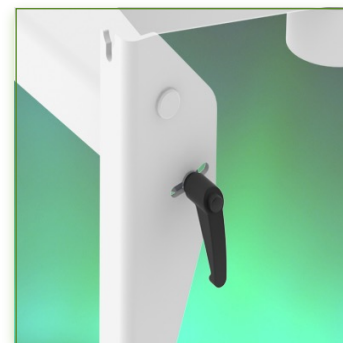


Anti-bacterial properties:

IT medical arms are now designed with Microban antibacterial protection, a revolutionary treatment that guarantees optimal hygiene. IT medical arms integrate Microban and other antibacterial agents into all medical products. It inhibits the growth of bacteria of all types. This is not a surface treatment.

It is 100% in the totality of the product. It does not alter the physico-mechanical properties of the medical arm lift system. Simulations over 30 years show that 100% of the antibacterial properties are maintained.

All medical articulated arms incorporate Microban. Microban is the world's leading provider of anti-bacterial solutions. It has been successfully applied for more than 35 years in a wide range of products used in the hospital, construction and food industries.



Screen Compatibility: Widescreen
Supported Weight: 40 Kg
VESA standard: 600 / 600 mm

Medical Monitor Arm Horizontal 300 mm arm equipped with a VESA 600 x 600 adapter with 12.5° inclination for heavy screen of 40 Kg maximum wall mounting on vertical slide rail

This 300mm Horizontal Widescreen Arm allows the large LCD screen to be perfectly fixed, oriented and adjusted. It is coated with an anti-microbial agent offering hygiene and cleaning down to the last detail. Its modern design has been specially designed for healthcare environments.

Technical specifications:

- * Integrated cable channel
 - * Optional Vertical Wall Slide Rail Mounting, including several lengths are available (480 mm - 720 mm - 960 mm - 1200 mm). These wall rails can be easily cut to size you want. All cables also pass through the wall rail. (See Option below)
 - * This 300mm Horizontal Widescreen Arm simply slides into the wall rail and then adjust to the desired height and fixed. It does not have a height adjustment, but allows the inclination of the screen.
 - * The head of this arm complies with the screen mounting standard: VESA MIS-D 600 mm x 600 mm.
 - * Compatible with screens whose weight does not exceed 40 Kg.
 - * Touch screen stability. * Screen tilt: 12.5° down
 - * Arm rotation: 105° to the right, 105° to the left.
 - * Total length 371 mm
 - * Colour RAL 7024 (Graphite grey) and White
 - * All our medical arms are in conformity: CE, ROHS, Medical Grade, Regulations MDD 93/42 ECC.
 - * Warranty: 5 years
- Note: This arm can also be installed on one of our medical columns or trolleys.

Do not hesitate to contact us if you have any questions about this product.

Warranty: 5 years

000.991.850

Graphite Grey and White

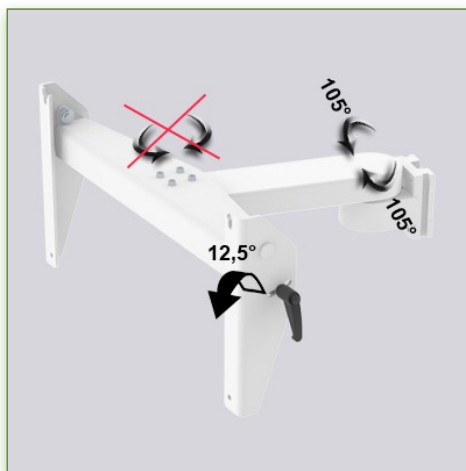
On Measure

= Depending on the elements

991.850

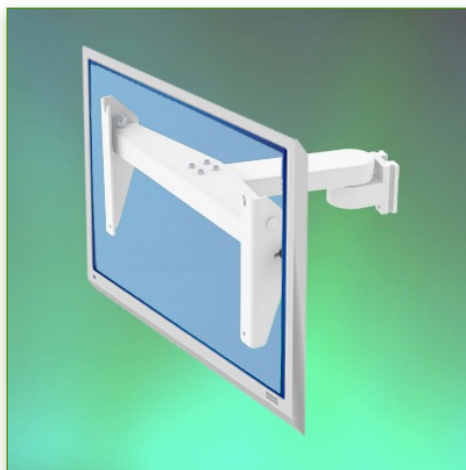


Screen Compatibility: Widescreen
Supported Weight: 40 Kg
VESA standard: 600 / 600 mm



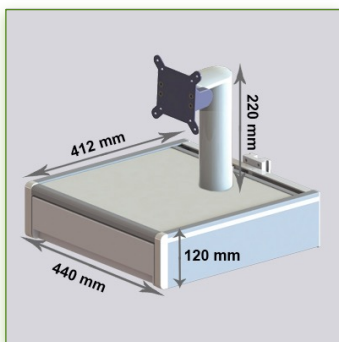
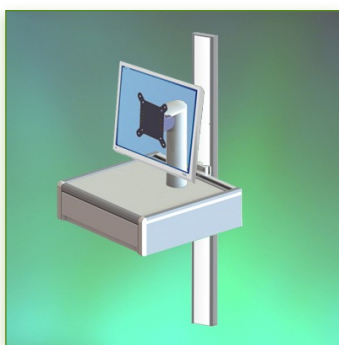
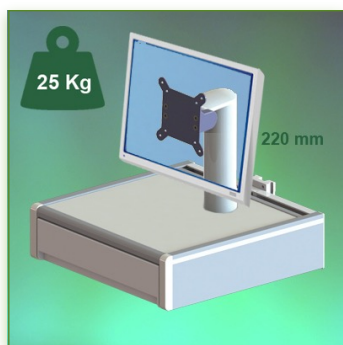
Do not hesitate to contact us if you have any questions about this product.

- Warranty: 5 years
- 000.991.850
- Graphite Grey and White
- On Measure
- = Depending on the elements
- 991.850

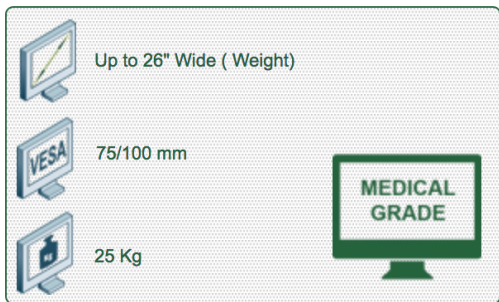


Anti-bacterial properties:

IT medical arms are now designed with Microban antibacterial protection, a revolutionary treatment that guarantees optimal hygiene. IT medical arms integrate Microban and other antibacterial agents into all medical products. It inhibits the growth of bacteria of all types. This is not a surface treatment. It is 100% in the totality of the product. It does not alter the physico-mechanical properties of the medical arm lift system. Simulations over 30 years show that 100% of the antibacterial properties are maintained. All medical articulated arms incorporate Microban. Microban is the world's leading provider of anti-bacterial solutions. It has been successfully applied for more than 35 years in a wide range of products used in the hospital, construction and food industries.



Display Compatibility: 26" Wide (Weight)
 Supported Weight: 25 Kg
 VESA standard: 75 / 100 mm
 Arm height: 220 mm



Medical Console for Display Height 220 mm Wall Rail Mount

This display console allows you to perfectly fix, orient and adjust an LCD screen and provides additional storage space with a drawer. It is covered with an anti-microbial agent offering hygiene and cleaning down to the last detail. Its modern design has been specially designed for healthcare environments.

Technical specifications:

- * Integrated cable channel
- * Optional Vertical Wall Slide Rail Mounting, including several lengths are available (480 mm - 720 mm - 960 mm - 1200 mm). These wall rails can be easily cut to size you want. All cables also pass through the wall rail. (See Option below)
- * This medical console comes simply to be slide into the wall Vertical rail and then adjust to the height wanted and fixed.
- * Weight Supported by the console: 25 Kg
- * Tube arm with tilting head for 220 mm screen height (50° down / 100° up)
- * The head of this arm complies with the screen mounting standard: VESA MIS-D 75 mm and 100 mm.
- * Internal sliding drawer dimensions: 364 x 400 mm
- * Compatible with multimedia terminals (TMM)
- * Colour RAL 7024 (Graphite grey) and White
- * All our medical arms are in conformity: CE, ROHS, Medical Grade, Regulations MDD 93/42 ECC.
- * Warranty: 5 years

Note: This Console can also be installed on one of our medical columns or trolleys.

Do not hesitate to contact us if you have any questions about this product.

Warranty: 5 years

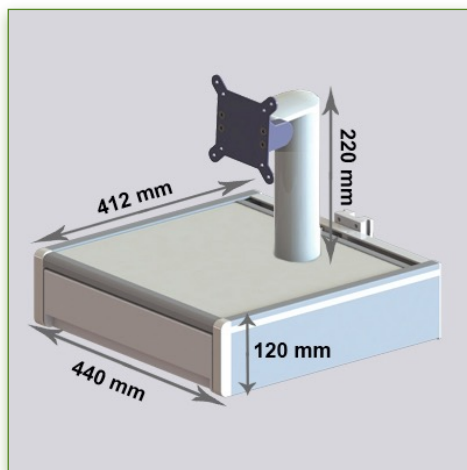
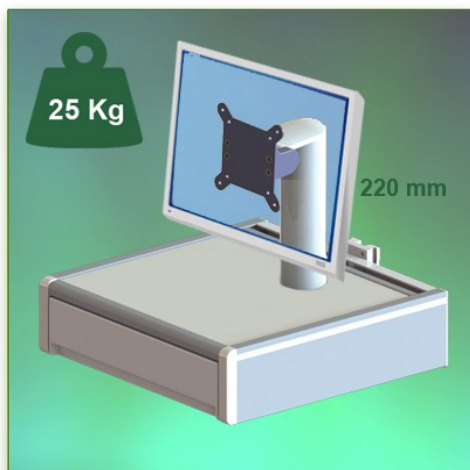
000.991.858

Graphite Grey and White

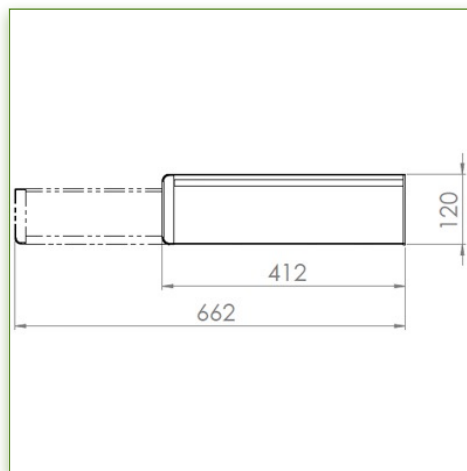
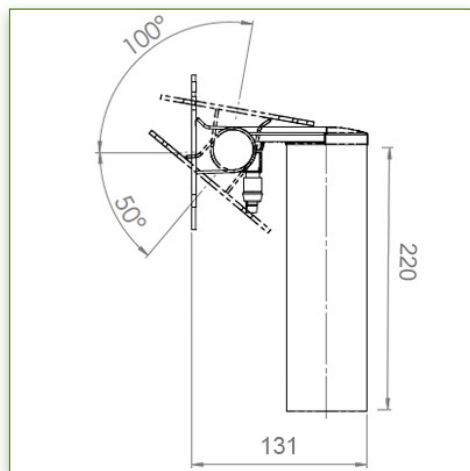
On Measure

= Depending on the elements

991.858

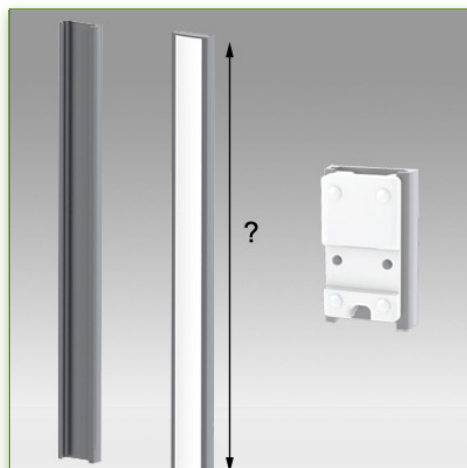
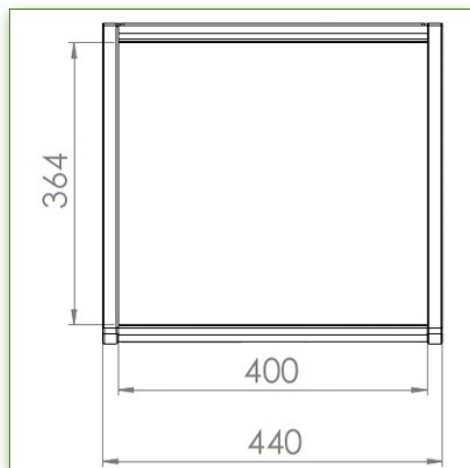


Display Compatibility: 26" Wide (Weight)
 Supported Weight: 25 Kg
 VESA standard: 75 / 100 mm
 Arm height: 220 mm



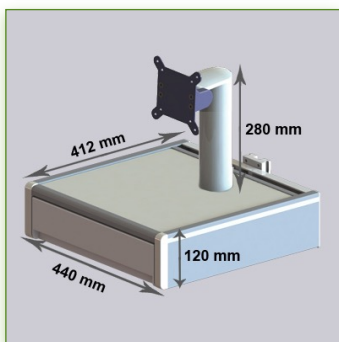
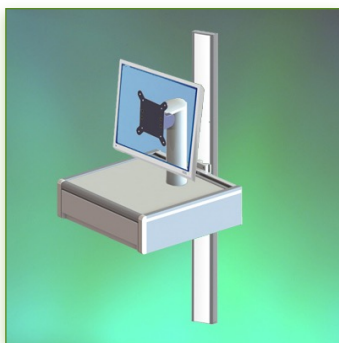
Do not hesitate to contact us if you have any questions about this product.

- Warranty: 5 years
- 000.991.858
- Graphite Grey and White
- On Measure
- = Depending on the elements
- 991.858



Anti-bacterial properties:

IT medical arms are now designed with Microban antibacterial protection, a revolutionary treatment that guarantees optimal hygiene. IT medical arms integrate Microban and other antibacterial agents into all medical products. It inhibits the growth of bacteria of all types. This is not a surface treatment. It is 100% in the totality of the product. It does not alter the physico-mechanical properties of the medical arm lift system. Simulations over 30 years show that 100% of the antibacterial properties are maintained. All medical articulated arms incorporate Microban. Microban is the world's leading provider of anti-bacterial solutions. It has been successfully applied for more than 35 years in a wide range of products used in the hospital, construction and food industries.



Display Compatibility: 26" Wide (Weight)
 Supported Weight: 25 Kg
 VESA standard: 75 / 100 mm
 Arm height: 280 mm

Medical Console for Display Height 280 mm Wall Rail Mount

This display console allows you to perfectly fix, orient and adjust an LCD screen and provides additional storage space with a drawer. It is covered with an anti-microbial agent offering hygiene and cleaning down to the last detail. Its modern design has been specially designed for healthcare environments.

Technical specifications:

- * Integrated cable channel
- * Optional Vertical Wall Slide Rail Mounting, including several lengths are available (480 mm - 720 mm - 960 mm - 1200 mm). These wall rails can be easily cut to size you want. All cables also pass through the wall rail. (See Option below)
- * This medical console comes simply to be slide into the wall Vertical rail and then adjust to the height wanted and fixed.
- * Weight Supported by the console: 25 Kg
- * Tube arm with tilting head for 280 mm screen height (50° down / 100° up)
- * The head of this arm complies with the screen mounting standard: VESA MIS-D 75 mm and 100 mm.
- * Internal sliding drawer dimensions: 364 x 400 mm
- * Compatible with multimedia terminals (TMM)
- * Colour RAL 7024 (Graphite grey) and White
- * All our medical arms are in conformity: CE, ROHS, Medical Grade, Regulations MDD 93/42 ECC.
- * Warranty: 5 years

Note: This Console can also be installed on one of our medical columns or trolleys.

Do not hesitate to contact us if you have any questions about this product.

Warranty: 5 years

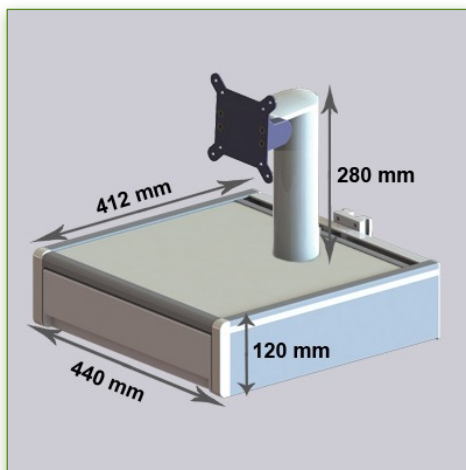
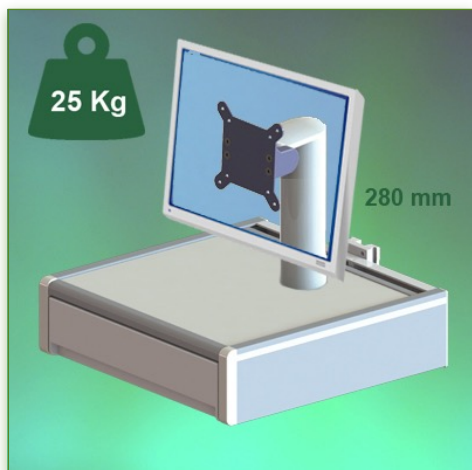
000.991.859

Graphite Grey and White

On Measure

= Depending on the elements

991.859



Display Compatibility: 26" Wide (Weight)
 Supported Weight: 25 Kg
 VESA standard: 75 / 100 mm
 Arm height: 280 mm



Up to 26" Wide (Weight)



75/100 mm



25 Kg



Medical Grade



Do not hesitate to contact us if you have any questions about this product.



Warranty: 5 years



000.991.859



Graphite Grey and White



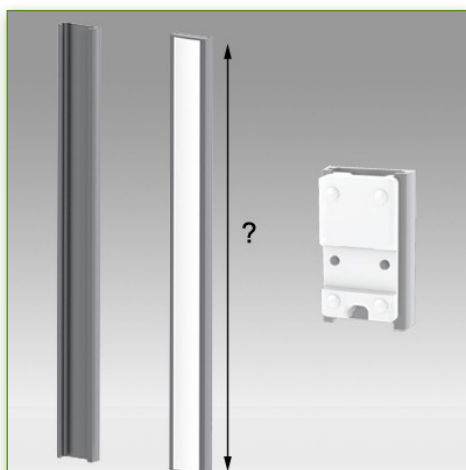
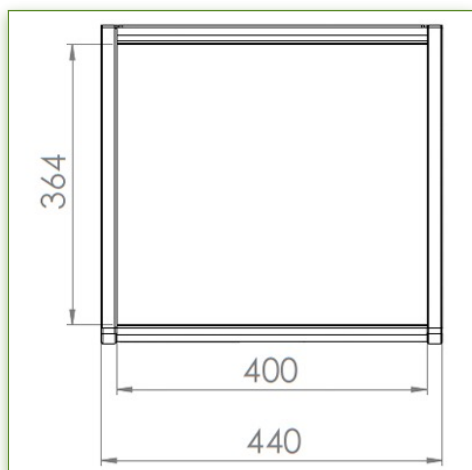
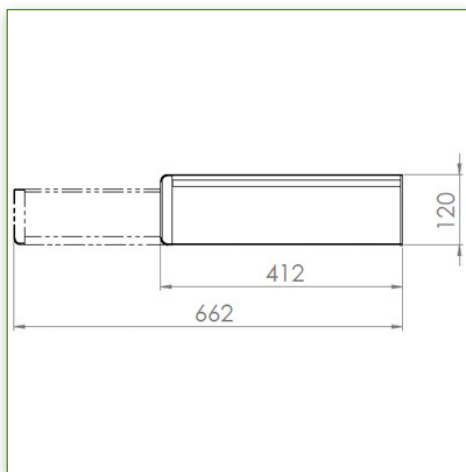
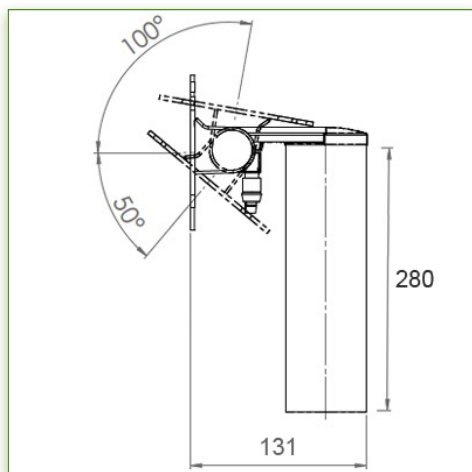
On Measure



= Depending on the elements



991.859



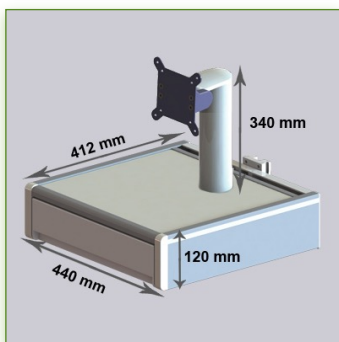
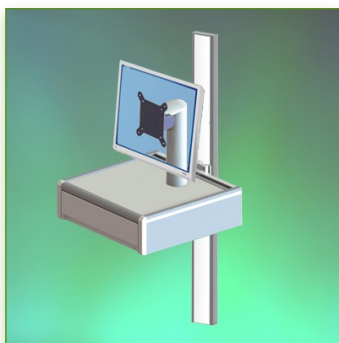
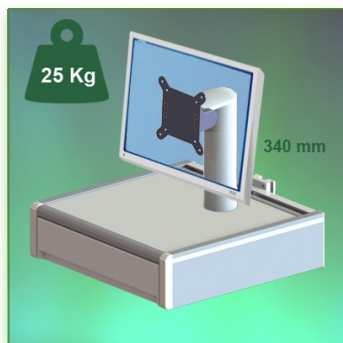
Anti-bacterial properties:

IT medical arms are now designed with Microban antibacterial protection, a revolutionary treatment that guarantees optimal hygiene. IT medical arms integrate Microban and other antibacterial agents into all medical products. It inhibits the growth of bacteria of all types. This is not a surface treatment.

It is 100% in the totality of the product.

It does not alter the physico-mechanical properties of the medical arm lift system. Simulations over 30 years show that 100% of the antibacterial properties are maintained.

All medical articulated arms incorporate Microban. Microban is the world's leading provider of anti-bacterial solutions. It has been successfully applied for more than 35 years in a wide range of products used in the hospital, construction and food industries.



Display Compatibility: 26" Wide (Weight)
 Supported Weight: 25 Kg
 VESA standard: 75 / 100 mm
 Arm height: 340 mm

Medical Console for Display Height 340 mm Wall Rail Mount

This display console allows you to perfectly fix, orient and adjust an LCD screen and provides additional storage space with a drawer. It is covered with an anti-microbial agent offering hygiene and cleaning down to the last detail. Its modern design has been specially designed for healthcare environments.

Technical specifications:

- * Integrated cable channel
- * Optional Vertical Wall Slide Rail Mounting, including several lengths are available (480 mm - 720 mm - 960 mm - 1200 mm). These wall rails can be easily cut to size you want. All cables also pass through the wall rail. (See Option below)
- * This medical console comes simply to be slide into the wall Vertical rail and then adjust to the height wanted and fixed.
- * Weight Supported by the console: 25 Kg
- * Tube arm with tilting head for 340 mm screen height (50° down / 100° up)
- * The head of this arm complies with the screen mounting standard: VESA MIS-D 75 mm and 100 mm.
- * Internal sliding drawer dimensions: 364 x 400 mm
- * Compatible with multimedia terminals (TMM)
- * Colour RAL 7024 (Graphite grey) and White
- * All our medical arms are in conformity: CE, ROHS, Medical Grade, Regulations MDD 93/42 ECC.
- * Warranty: 5 years

Note: This Console can also be installed on one of our medical columns or trolleys.

Do not hesitate to contact us if you have any questions about this product.

Warranty: 5 years

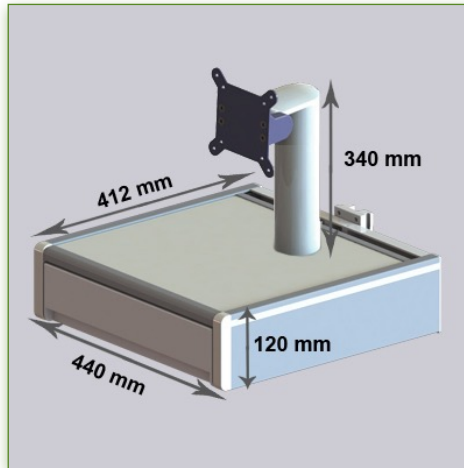
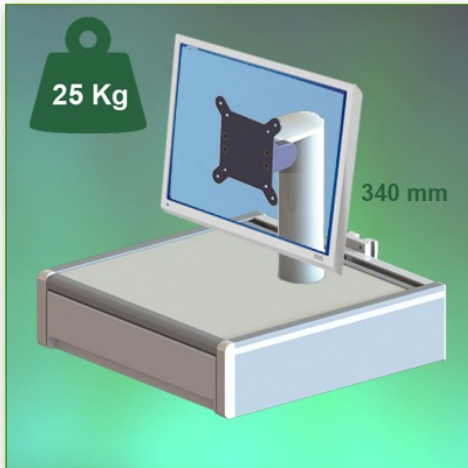
000.991.860

Graphite Grey and White

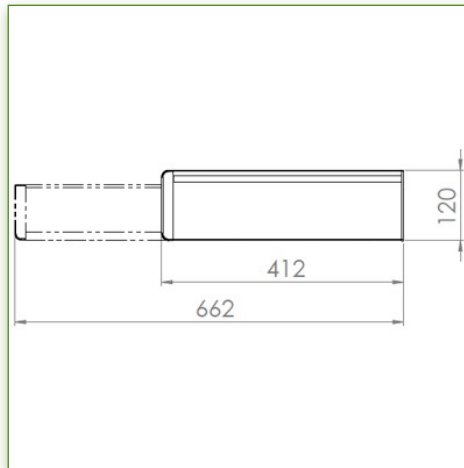
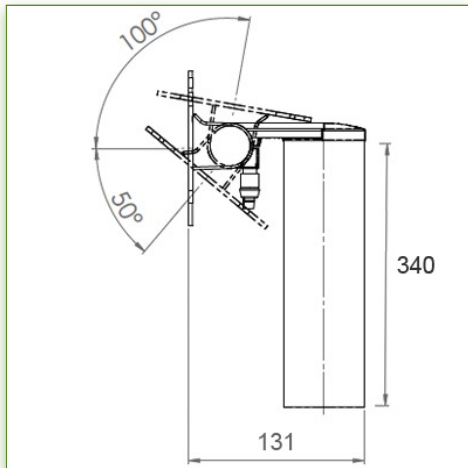
On Measure

= Depending on the elements

991.860



Display Compatibility: 26" Wide (Weight)
 Supported Weight: 25 Kg
 VESA standard: 75 / 100 mm
 Arm height: 340 mm



Do not hesitate to contact us if you have any questions about this product.

Warranty: 5 years

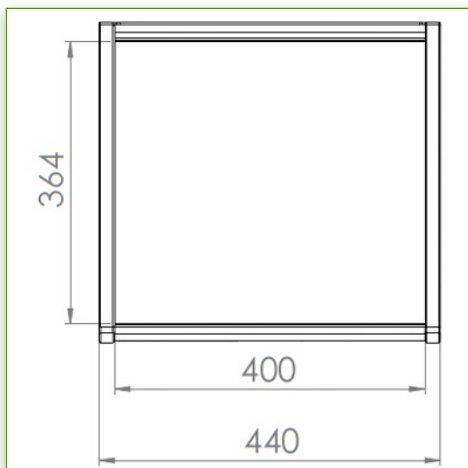
000.991.860

Graphite Grey and White

On Measure

= Depending on the elements

991.860



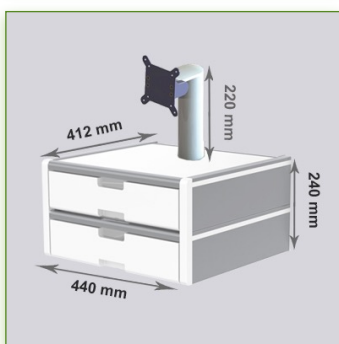
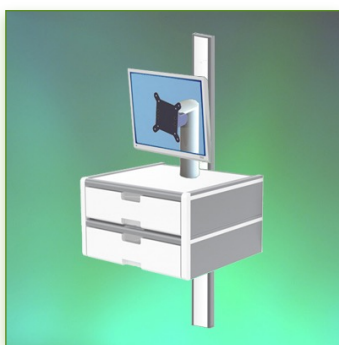
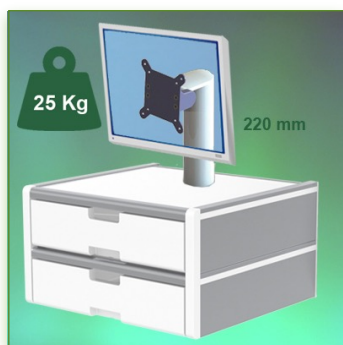
Anti-bacterial properties:

IT medical arms are now designed with Microban antibacterial protection, a revolutionary treatment that guarantees optimal hygiene. IT medical arms integrate Microban and other antibacterial agents into all medical products. It inhibits the growth of bacteria of all types. This is not a surface treatment.

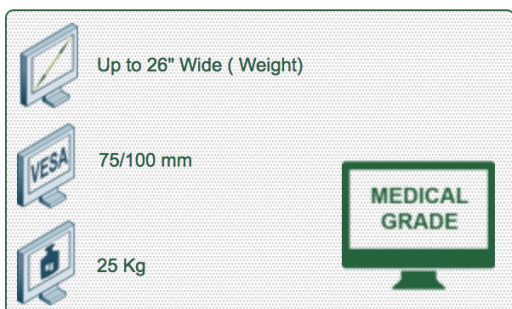
It is 100% in the totality of the product.

It does not alter the physico-mechanical properties of the medical arm lift system. Simulations over 30 years show that 100% of the antibacterial properties are maintained.

All medical articulated arms incorporate Microban. Microban is the world's leading provider of anti-bacterial solutions. It has been successfully applied for more than 35 years in a wide range of products used in the hospital, construction and food industries.



Display Compatibility: 26" Wide (Weight)
 Supported Weight: 25 Kg
 VESA standard: 75 / 100 mm
 Arm height: 220 mm



Medical Console for Display, 2 drawers, height 220 mm Wall Rail Mount

This display console allows you to perfectly fix, orient and adjust an LCD screen and provides additional storage space with a drawer. It is covered with an anti-microbial agent offering hygiene and cleaning down to the last detail. Its modern design has been specially designed for healthcare environments.

Technical specifications:

- * Integrated cable channel
- * Optional Vertical Wall Slide Rail Mounting, including several lengths are available (480 mm - 720 mm - 960 mm - 1200 mm). These wall rails can be easily cut to size you want. All cables also pass through the wall rail. (See Option below)
- * This medical console comes simply to be slide into the wall Vertical rail and then adjust to the height wanted and fixed.
- * Weight Supported by the console: 25 Kg
- * Tube arm with tilting head for 220 mm screen height (50° down / 100° up)
- * The head of this arm complies with the screen mounting standard: VESA MIS-D 75 mm and 100 mm.
- * Internal sliding drawer (2) dimensions: 364 x 400 mm
- * Compatible with multimedia terminals (TMM)
- * Colour RAL 7024 (Graphite grey) and White
- * All our medical arms are in conformity: CE, ROHS, Medical Grade, Regulations MDD 93/42 ECC.
- * Warranty: 5 years

Note: This Console can also be installed on one of our medical columns or trolleys.

Do not hesitate to contact us if you have any questions about this product.

Warranty: 5 years

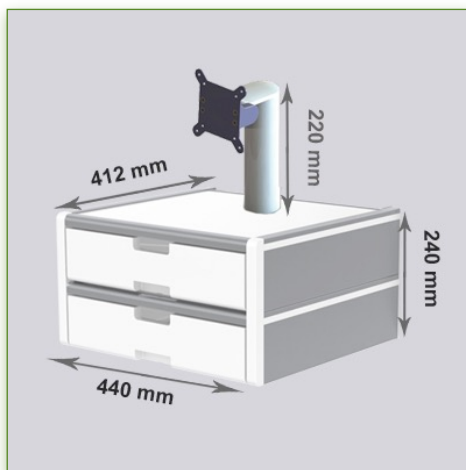
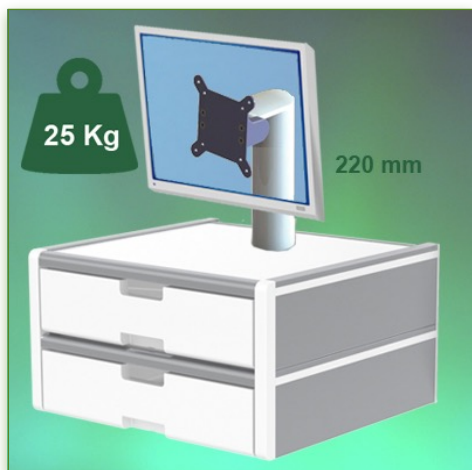
000.991.861

Graphite Grey and White

On Measure

= Depending on the elements

991.861



Display Compatibility: 26" Wide (Weight)
 Supported Weight: 25 Kg
 VESA standard: 75 / 100 mm
 Arm height: 220 mm



Up to 26" Wide (Weight)



75/100 mm



25 Kg



Medical Grade



Do not hesitate to contact us if you have any questions about this product.



Warranty: 5 years



000.991.861



Graphite Grey and White



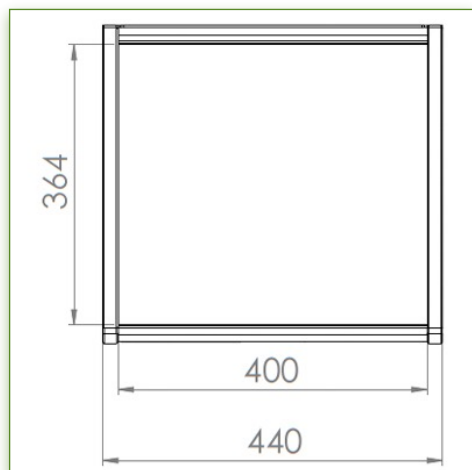
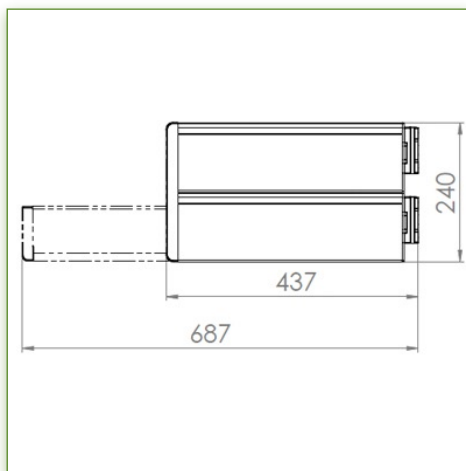
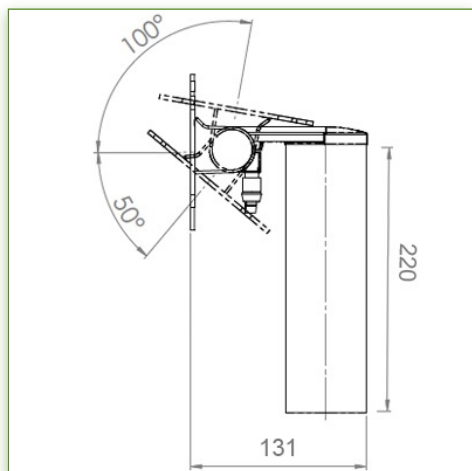
On Measure



= Depending on the elements



991.861

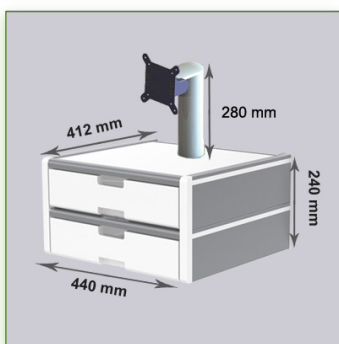
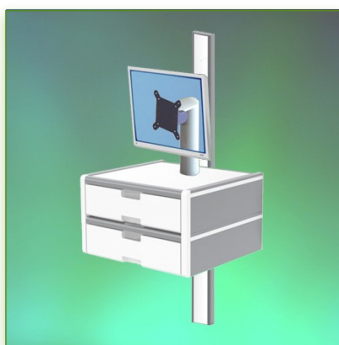
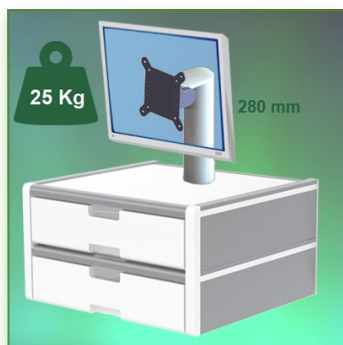


Anti-bacterial properties:

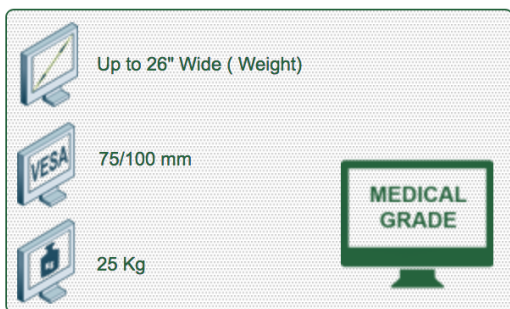
IT medical arms are now designed with Microban antibacterial protection, a revolutionary treatment that guarantees optimal hygiene. IT medical arms integrate Microban and other antibacterial agents into all medical products. It inhibits the growth of bacteria of all types. This is not a surface treatment.

It is 100% in the totality of the product. It does not alter the physico-mechanical properties of the medical arm lift system. Simulations over 30 years show that 100% of the antibacterial properties are maintained.

All medical articulated arms incorporate Microban. Microban is the world's leading provider of anti-bacterial solutions. It has been successfully applied for more than 35 years in a wide range of products used in the hospital, construction and food industries.



Display Compatibility: 26" Wide (Weight)
 Supported Weight: 25 Kg
 VESA standard: 75 / 100 mm
 Arm height: 280 mm



Medical Console for Display, 2 drawers, height 280 mm Wall Rail Mount

This display console allows you to perfectly fix, orient and adjust an LCD screen and provides additional storage space with a drawer. It is covered with an anti-microbial agent offering hygiene and cleaning down to the last detail. Its modern design has been specially designed for healthcare environments.

Technical specifications:

- * Integrated cable channel
- * Optional Vertical Wall Slide Rail Mounting, including several lengths are available (480 mm - 720 mm - 960 mm - 1200 mm). These wall rails can be easily cut to size you want. All cables also pass through the wall rail. (See Option below)
- * This medical console comes simply to be slide into the wall Vertical rail and then adjust to the height wanted and fixed.
- * Weight Supported by the console: 25 Kg
- * Tube arm with tilting head for 280 mm screen height (50° down / 100° up)
- * The head of this arm complies with the screen mounting standard: VESA MIS-D 75 mm and 100 mm.
- * Internal sliding drawer (2) dimensions: 364 x 400 mm
- * Compatible with multimedia terminals (TMM)
- * Colour RAL 7024 (Graphite grey) and White
- * All our medical arms are in conformity: CE, ROHS, Medical Grade, Regulations MDD 93/42 ECC.
- * Warranty: 5 years

Note: This Console can also be installed on one of our medical columns or trolleys.

Do not hesitate to contact us if you have any questions about this product.

Warranty: 5 years

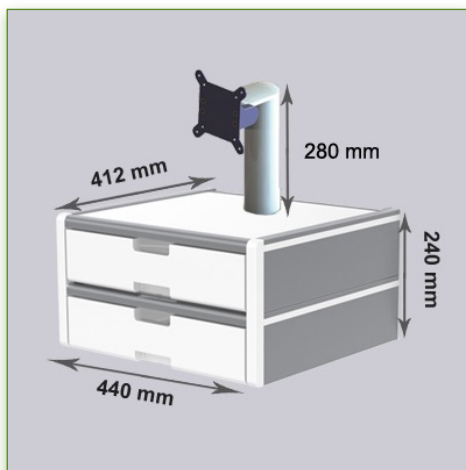
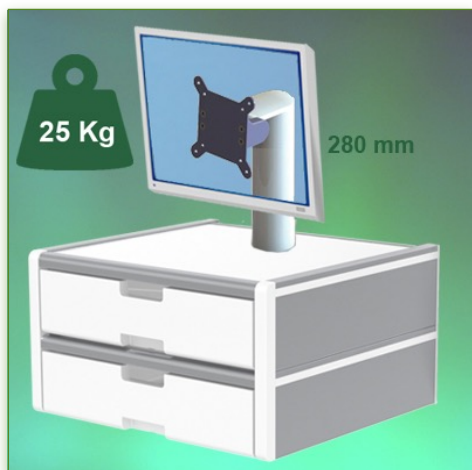
000.991.862

Graphite Grey and White

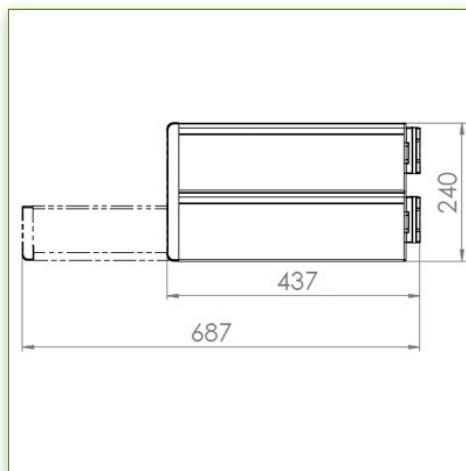
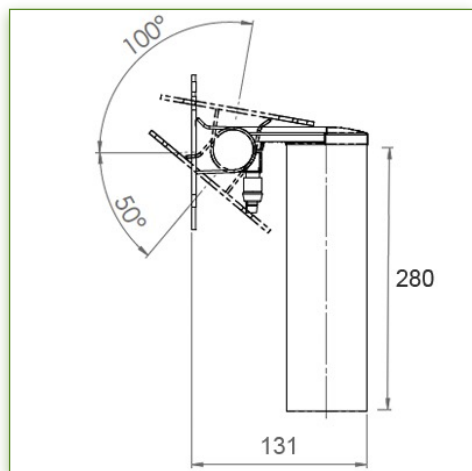
On Measure

= Depending on the elements

991.862

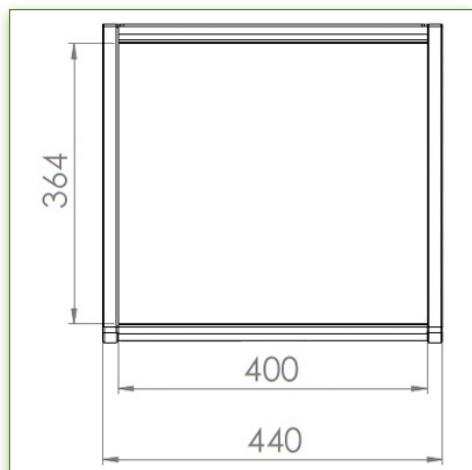


Display Compatibility: 26" Wide (Weight)
 Supported Weight: 25 Kg
 VESA standard: 75 / 100 mm
 Arm height: 280 mm



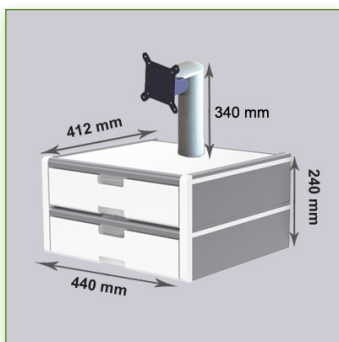
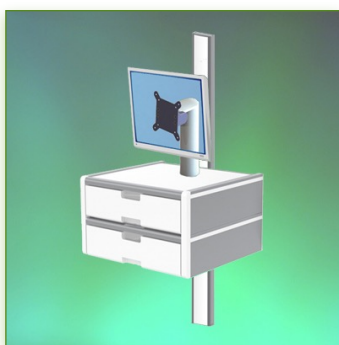
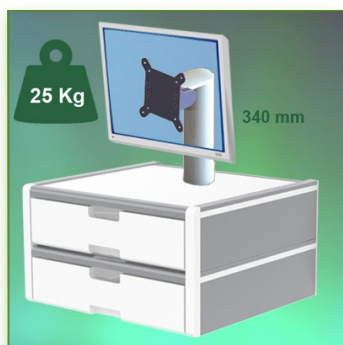
Do not hesitate to contact us if you have any questions about this product.

- Warranty: 5 years
- 000.991.862
- Graphite Grey and White
- On Measure
- = Depending on the elements
- 991.862

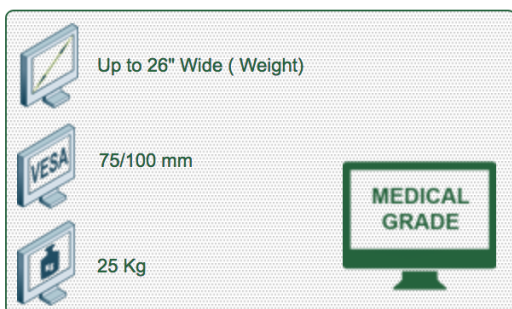


Anti-bacterial properties:

IT medical arms are now designed with Microban antibacterial protection, a revolutionary treatment that guarantees optimal hygiene. IT medical arms integrate Microban and other antibacterial agents into all medical products. It inhibits the growth of bacteria of all types. This is not a surface treatment. It is 100% in the totality of the product. It does not alter the physico-mechanical properties of the medical arm lift system. Simulations over 30 years show that 100% of the antibacterial properties are maintained. All medical articulated arms incorporate Microban. Microban is the world's leading provider of anti-bacterial solutions. It has been successfully applied for more than 35 years in a wide range of products used in the hospital, construction and food industries.



Display Compatibility: 26" Wide (Weight)
 Supported Weight: 25 Kg
 VESA standard: 75 / 100 mm
 Arm height: 340 mm



Medical Console for Display, 2 drawers, height 340 mm Wall Rail Mount

This display console allows you to perfectly fix, orient and adjust an LCD screen and provides additional storage space with a drawer. It is covered with an anti-microbial agent offering hygiene and cleaning down to the last detail. Its modern design has been specially designed for healthcare environments.

Technical specifications:

- * Integrated cable channel
- * Optional Vertical Wall Slide Rail Mounting, including several lengths are available (480 mm - 720 mm - 960 mm - 1200 mm). These wall rails can be easily cut to size you want. All cables also pass through the wall rail. (See Option below)
- * This medical console comes simply to be slide into the wall Vertical rail and then adjust to the height wanted and fixed.
- * Weight Supported by the console: 25 Kg
- * Tube arm with tilting head for 340 mm screen height (50° down / 100° up)
- * The head of this arm complies with the screen mounting standard: VESA MIS-D 75 mm and 100 mm.
- * Internal sliding drawer (2) dimensions: 364 x 400 mm
- * Compatible with multimedia terminals (TMM)
- * Colour RAL 7024 (Graphite grey) and White
- * All our medical arms are in conformity: CE, ROHS, Medical Grade, Regulations MDD 93/42 ECC.
- * Warranty: 5 years

Note: This Console can also be installed on one of our medical columns or trolleys.

Do not hesitate to contact us if you have any questions about this product.

Warranty: 5 years

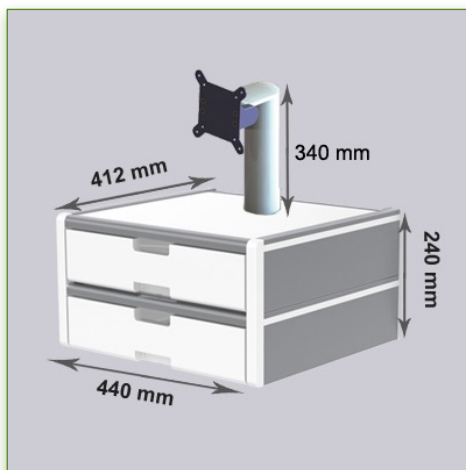
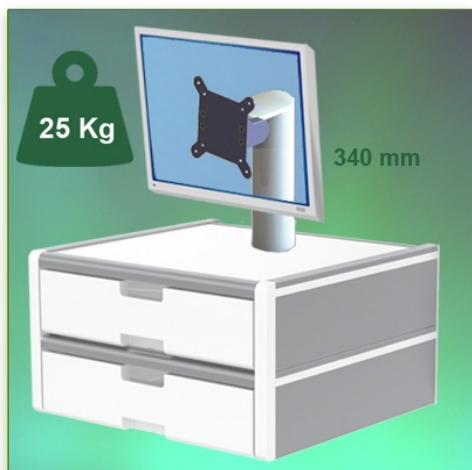
000.991.863

Graphite Grey and White

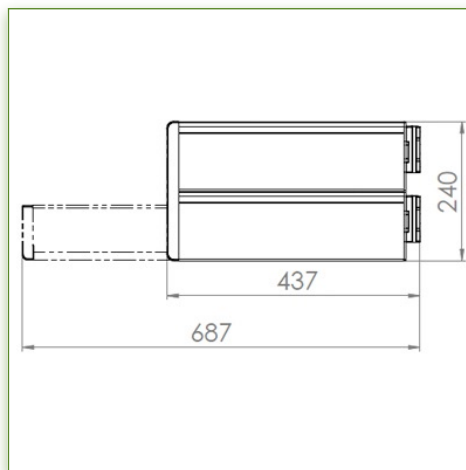
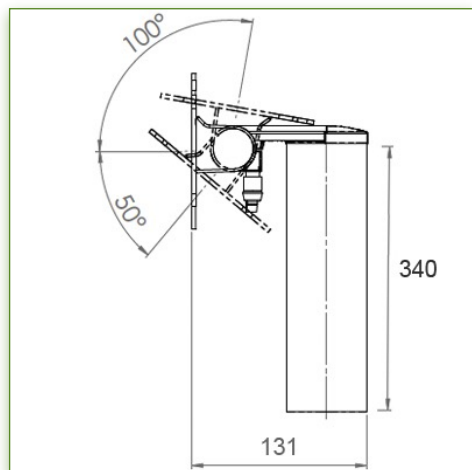
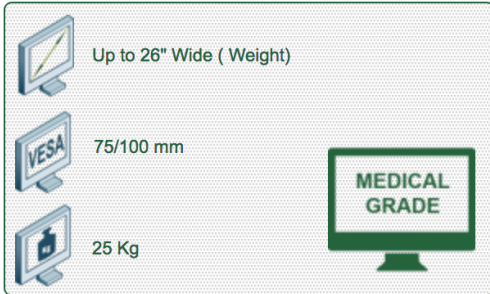
On Measure

= Depending on the elements

991.863

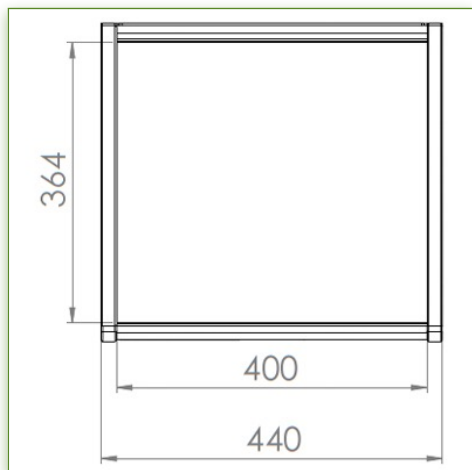


Display Compatibility: 26" Wide (Weight)
 Supported Weight: 25 Kg
 VESA standard: 75 / 100 mm
 Arm height: 340 mm



Do not hesitate to contact us if you have any questions about this product.

- Warranty: 5 years**
- 000.991.863**
- Graphite Grey and White**
- On Measure**
- = Depending on the elements**
- 991.863**



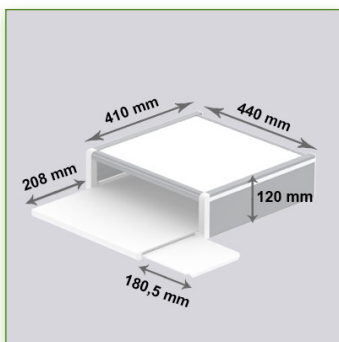
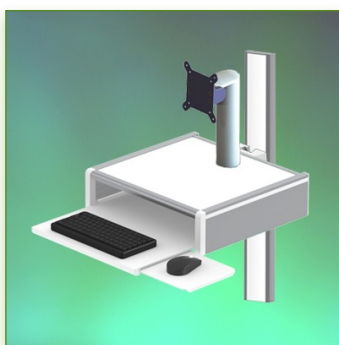
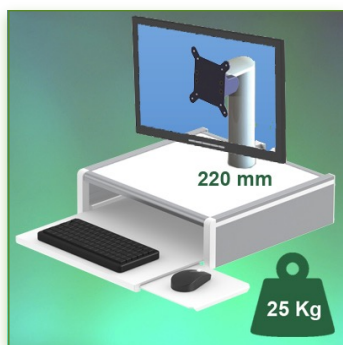
Anti-bacterial properties:

IT medical arms are now designed with Microban antibacterial protection, a revolutionary treatment that guarantees optimal hygiene. IT medical arms integrate Microban and other antibacterial agents into all medical products. It inhibits the growth of bacteria of all types. This is not a surface treatment.

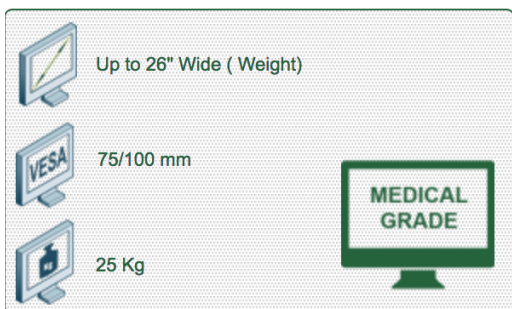
It is 100% in the totality of the product.

It does not alter the physico-mechanical properties of the medical arm lift system. Simulations over 30 years show that 100% of the antibacterial properties are maintained.

All medical articulated arms incorporate Microban. Microban is the world's leading provider of anti-bacterial solutions. It has been successfully applied for more than 35 years in a wide range of products used in the hospital, construction and food industries.



Display Compatibility: 26" Wide (Weight)
 Supported Weight: 25 Kg
 VESA standard: 75 / 100 mm
 Arm height: 220 mm



Combo Medical Console for Display, height 220 mm Wall Rail Mount

This monitor combo console allows you to perfectly fix, orient and adjust an LCD screen and provides additional storage space with an open drawer. It is covered with an anti-microbial agent offering hygiene and cleaning down to the last detail. Its modern design has been specially designed for healthcare environments.

Technical specifications:

- * Integrated cable channel
- * Optional Vertical Wall Slide Rail Mounting, including several lengths are available (480 mm - 720 mm - 960 mm - 1200 mm). These wall rails can be easily cut to size you want. All cables also pass through the wall rail. (See Option below)
- * This medical console comes simply to be slide into the wall Vertical rail and then adjust to the height wanted and fixed.
- * Weight Supported by the console: 25 Kg
- * Tube arm with tilting head for the screen, 220 mm high (50° down / 100° up)
- * The head of this arm complies with the screen mounting standard: VESA MIS-D 75 mm and 100 mm.
- * Working area 440 x 412 mm
- * Sliding mouse holder (right/left) with 180.5 x 208 mm usable area
- * Keyboard holder with 259.5 x 208 mm usable area
- * Compatible with multimedia terminals (TMM)
- * Colour RAL 7024 (Graphite grey) and White
- * All our medical arms are in conformity: CE, ROHS, Medical Grade, Regulations MDD 93/42 ECC.
- * Warranty: 5 years
- * Note: This Console can also be installed on one of our medical columns or trolleys.

Do not hesitate to contact us if you have any questions about this product.

Warranty: 5 years

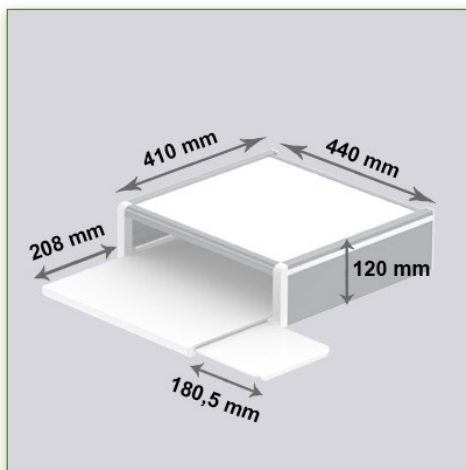
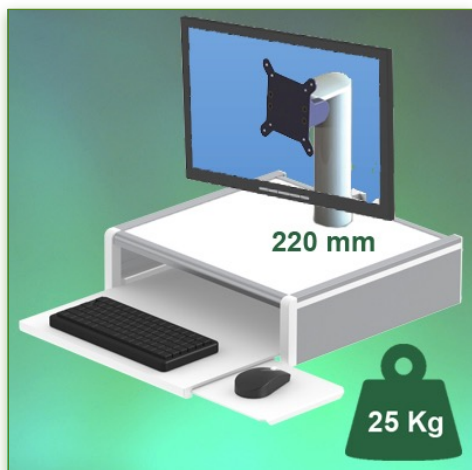
000.991.864

Graphite Grey and White

On Measure

= Depending on the elements

991.864



Display Compatibility: 26" Wide (Weight)
 Supported Weight: 25 Kg
 VESA standard: 75 / 100 mm
 Arm height: 220 mm



Up to 26" Wide (Weight)



75/100 mm



25 Kg



Medical Grade



Do not hesitate to contact us if you have any questions about this product.



Warranty: 5 years



000.991.864



Graphite Grey and White



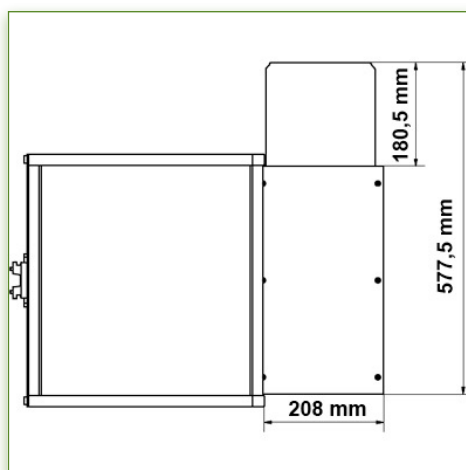
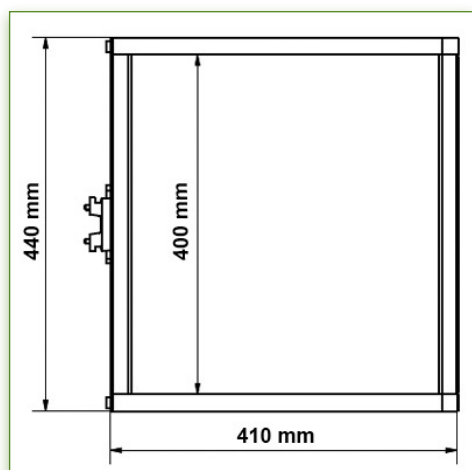
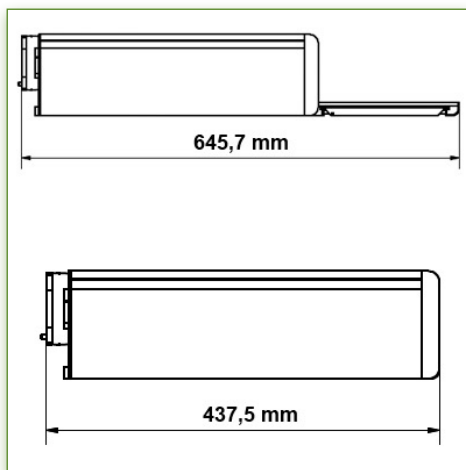
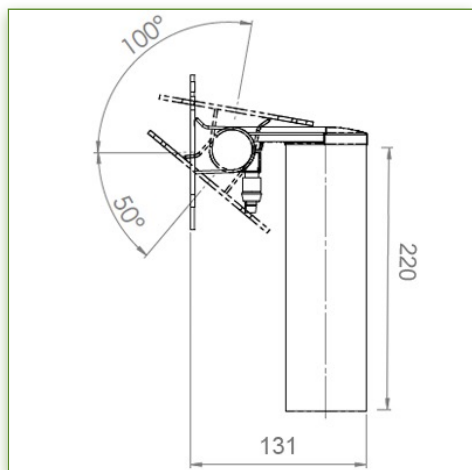
On Measure



= Depending on the elements



991.864

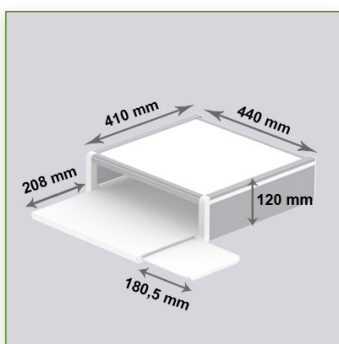
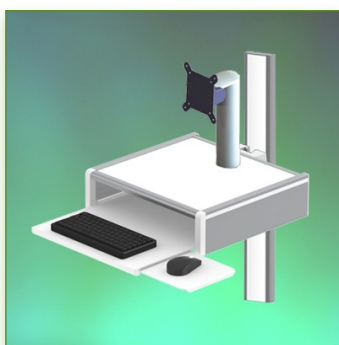
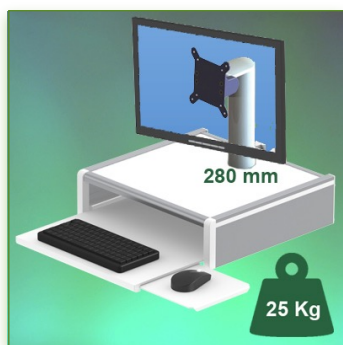


Anti-bacterial properties:

IT medical arms are now designed with Microban antibacterial protection, a revolutionary treatment that guarantees optimal hygiene. IT medical arms integrate Microban and other antibacterial agents into all medical products. It inhibits the growth of bacteria of all types. This is not a surface treatment.

It is 100% in the totality of the product. It does not alter the physico-mechanical properties of the medical arm lift system. Simulations over 30 years show that 100% of the antibacterial properties are maintained.

All medical articulated arms incorporate Microban. Microban is the world's leading provider of anti-bacterial solutions. It has been successfully applied for more than 35 years in a wide range of products used in the hospital, construction and food industries.



Display Compatibility: 26" Wide (Weight)
 Supported Weight: 25 Kg
 VESA standard: 75 / 100 mm
 Arm height: 280 mm

Combo Medical Console for Display, height 280 mm Wall Rail Mount

This monitor combo console allows you to perfectly fix, orient and adjust an LCD screen and provides additional storage space with an open drawer. It is covered with an anti-microbial agent offering hygiene and cleaning down to the last detail. Its modern design has been specially designed for healthcare environments.

Technical specifications:

- * Integrated cable channel
- * Optional Vertical Wall Slide Rail Mounting, including several lengths are available (480 mm - 720 mm - 960 mm - 1200 mm). These wall rails can be easily cut to size you want. All cables also pass through the wall rail. (See Option below)
- * This medical console comes simply to be slide into the wall Vertical rail and then adjust to the height wanted and fixed.
- * Weight Supported by the console: 25 Kg
- * Tube arm with tilting head for the screen, 280 mm high (50° down / 100° up)
- * The head of this arm complies with the screen mounting standard: VESA MIS-D 75 mm and 100 mm.
- * Working area 440 x 412 mm
- * Sliding mouse holder (right/left) with 180.5 x 208 mm usable area
- * Keyboard holder with 259.5 x 208 mm usable area
- * Compatible with multimedia terminals (TMM)
- * Colour RAL 7024 (Graphite grey) and White
- * All our medical arms are in conformity: CE, ROHS, Medical Grade, Regulations MDD 93/42 ECC.
- * Warranty: 5 years
- * Note: This Console can also be installed on one of our medical columns or trolleys.

Do not hesitate to contact us if you have any questions about this product.

Warranty: 5 years

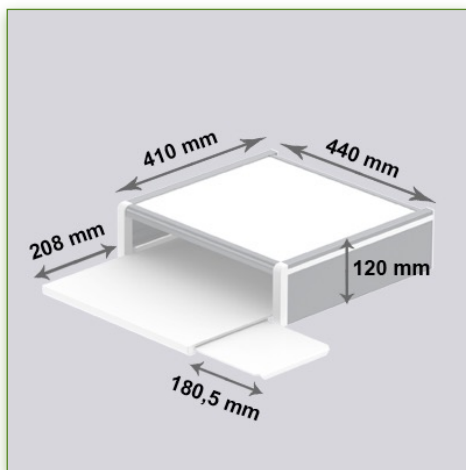
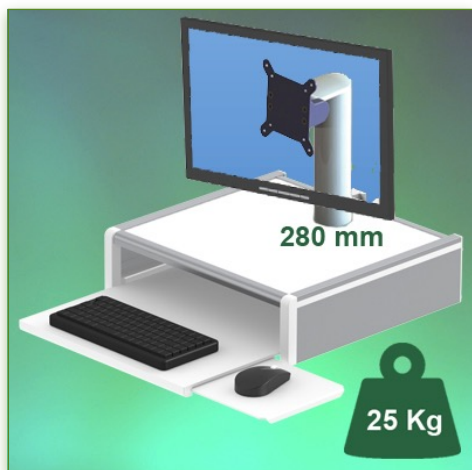
000.991.865

Graphite Grey and White

On Measure

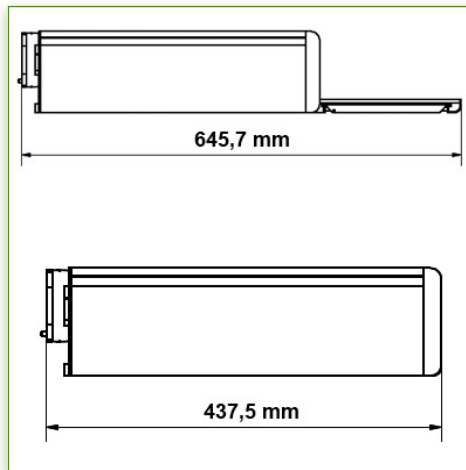
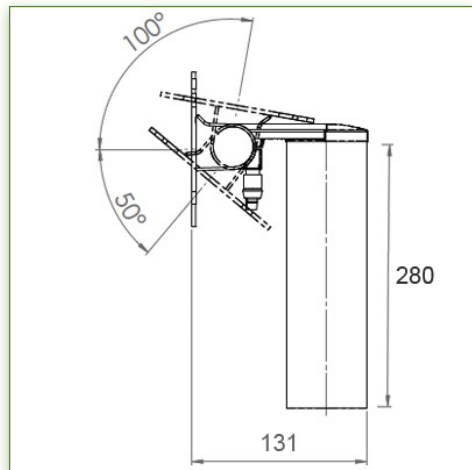
= Depending on the elements

991.865



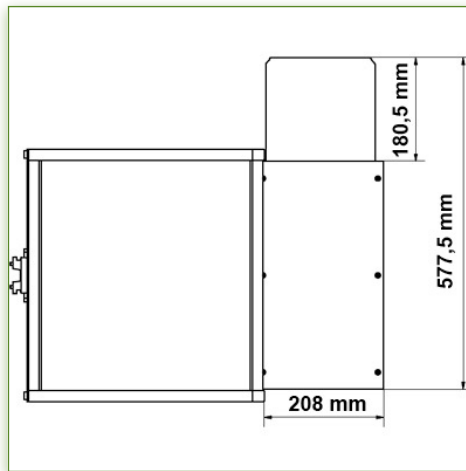
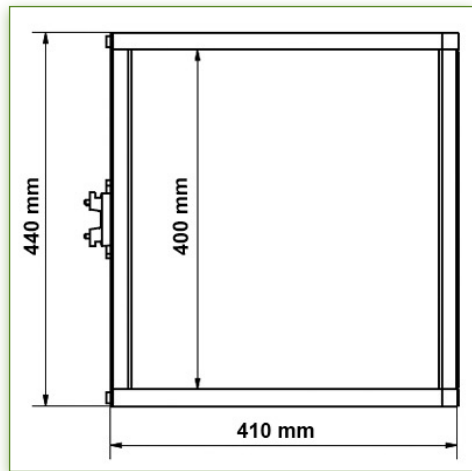
Display Compatibility: 26" Wide (Weight)
 Supported Weight: 25 Kg
 VESA standard: 75 / 100 mm
 Arm height: 280 mm

Up to 26" Wide (Weight)
 75/100 mm
 25 Kg
MEDICAL GRADE



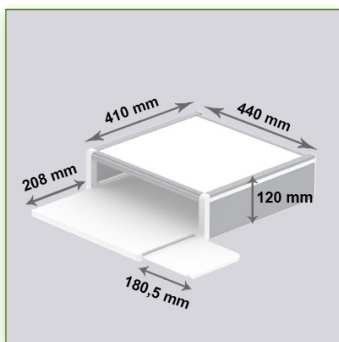
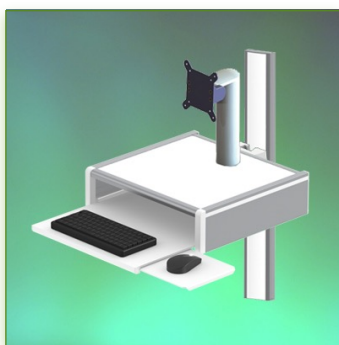
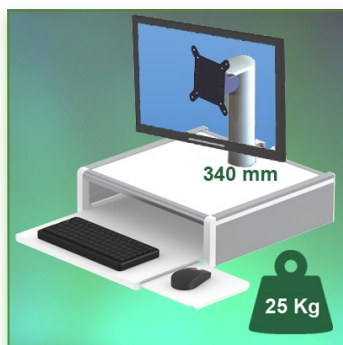
Do not hesitate to contact us if you have any questions about this product.

- Warranty: 5 years**
- 000.991.865
- Graphite Grey and White**
- On Measure**
- = Depending on the elements
- 991.865

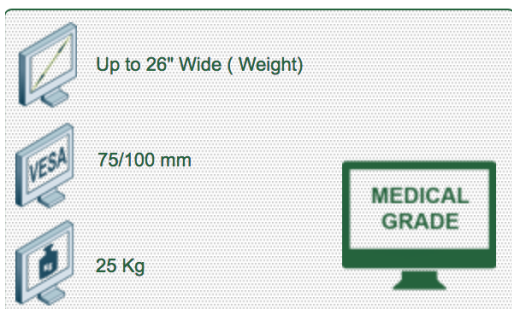


Anti-bacterial properties:

IT medical arms are now designed with Microban antibacterial protection, a revolutionary treatment that guarantees optimal hygiene. IT medical arms integrate Microban and other antibacterial agents into all medical products. It inhibits the growth of bacteria of all types. This is not a surface treatment. It is 100% in the totality of the product. It does not alter the physico-mechanical properties of the medical arm lift system. Simulations over 30 years show that 100% of the antibacterial properties are maintained. All medical articulated arms incorporate Microban. Microban is the world's leading provider of anti-bacterial solutions. It has been successfully applied for more than 35 years in a wide range of products used in the hospital, construction and food industries.



Display Compatibility: 26" Wide (Weight)
 Supported Weight: 25 Kg
 VESA standard: 75 / 100 mm
 Arm height: 340 mm



Combo Medical Console for Display, height 340 mm Wall Rail Mount

This monitor combo console allows you to perfectly fix, orient and adjust an LCD screen and provides additional storage space with an open drawer. It is covered with an anti-microbial agent offering hygiene and cleaning down to the last detail. Its modern design has been specially designed for healthcare environments.

Technical specifications:

- * Integrated cable channel
- * Optional Vertical Wall Slide Rail Mounting, including several lengths are available (480 mm - 720 mm - 960 mm - 1200 mm). These wall rails can be easily cut to size you want. All cables also pass through the wall rail. (See Option below)
- * This medical console comes simply to be slide into the wall Vertical rail and then adjust to the height wanted and fixed.
- * Weight Supported by the console: 25 Kg
- * Tube arm with tilting head for the screen, 340 mm high (50° down / 100° up)
- * The head of this arm complies with the screen mounting standard: VESA MIS-D 75 mm and 100 mm.
- * Working area 440 x 412 mm
- * Sliding mouse holder (right/left) with 180.5 x 208 mm usable area
- * Keyboard holder with 259.5 x 208 mm usable area
- * Compatible with multimedia terminals (TMM)
- * Colour RAL 7024 (Graphite grey) and White
- * All our medical arms are in conformity: CE, ROHS, Medical Grade, Regulations MDD 93/42 ECC.
- * Warranty: 5 years
- * Note: This Console can also be installed on one of our medical columns or trolleys.

Do not hesitate to contact us if you have any questions about this product.

Warranty: 5 years

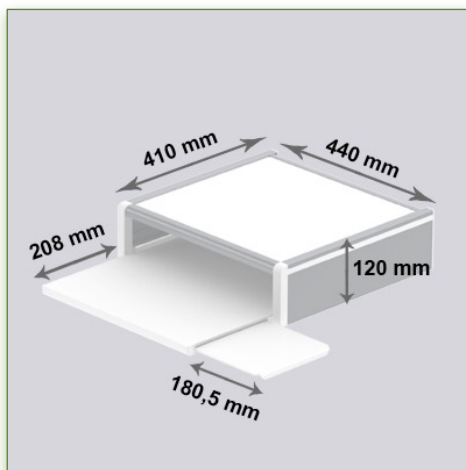
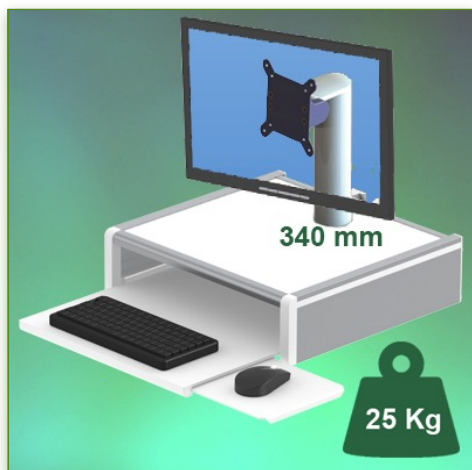
000.991.866

Graphite Grey and White

On Measure

= Depending on the elements

991.866



Display Compatibility: 26" Wide (Weight)
 Supported Weight: 25 Kg
 VESA standard: 75 / 100 mm
 Arm height: 340 mm



Up to 26" Wide (Weight)



75/100 mm



25 Kg



Medical Grade



Do not hesitate to contact us if you have any questions about this product.



Warranty: 5 years



000.991.866



Graphite Grey and White



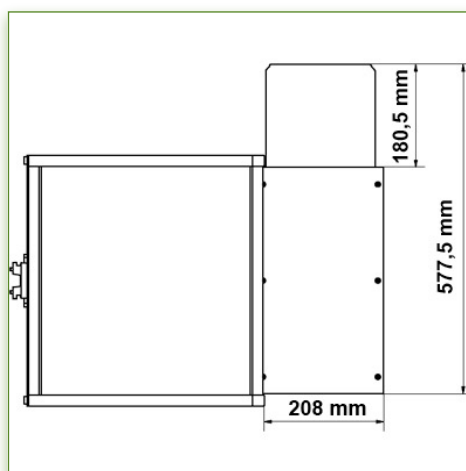
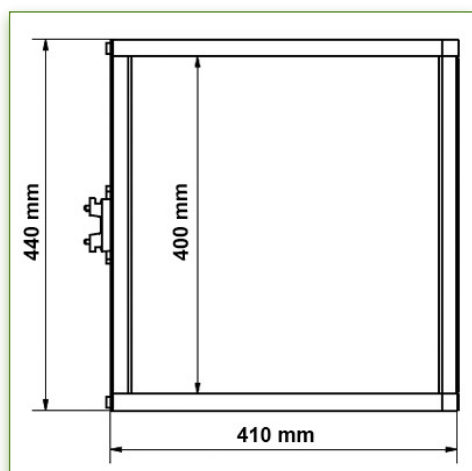
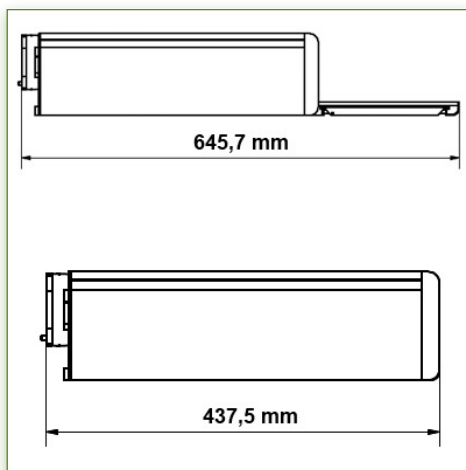
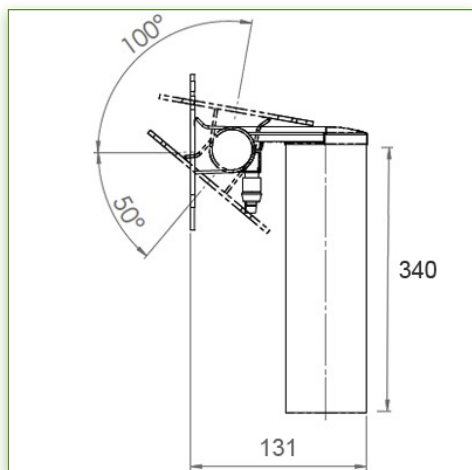
On Measure



= Depending on the elements



991.866

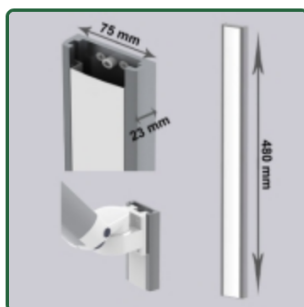
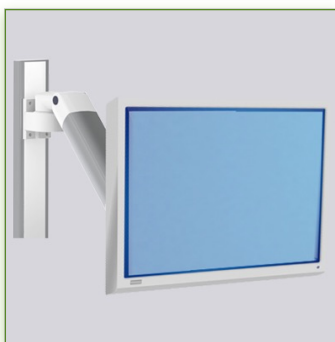
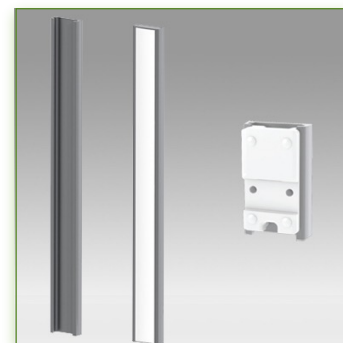
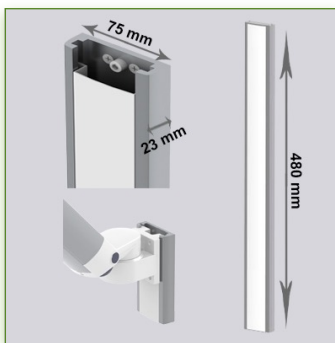
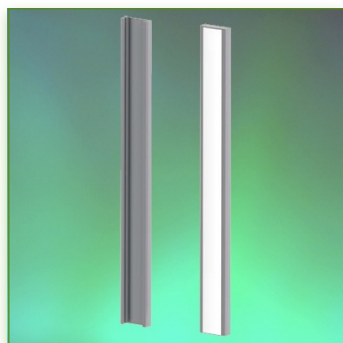


Anti-bacterial properties:

IT medical arms are now designed with Microban antibacterial protection, a revolutionary treatment that guarantees optimal hygiene. IT medical arms integrate Microban and other antibacterial agents into all medical products. It inhibits the growth of bacteria of all types. This is not a surface treatment.

It is 100% in the totality of the product. It does not alter the physico-mechanical properties of the medical arm lift system. Simulations over 30 years show that 100% of the antibacterial properties are maintained.

All medical articulated arms incorporate Microban. Microban is the world's leading provider of anti-bacterial solutions. It has been successfully applied for more than 35 years in a wide range of products used in the hospital, construction and food industries.



Vertical Wall Rail
with slide rail
480 mm

Part Number: 999.145



N'hésitez pas de nous contacter si vous avez des questions au sujet de ce produit.



Warranty: 5 years



000.999.145



Aluminium



On Measure



= Depending on the elements



999.145

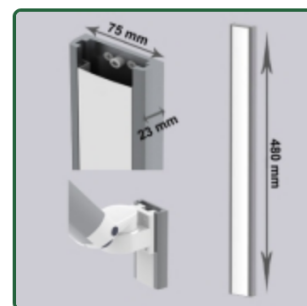
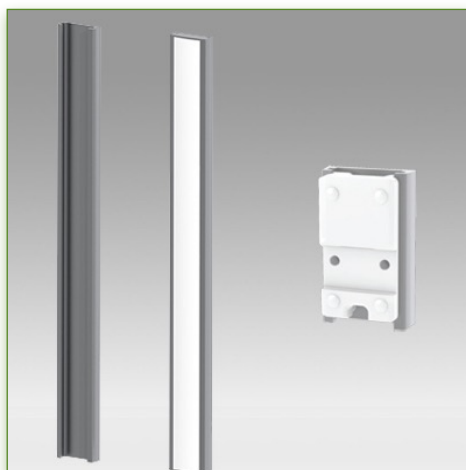
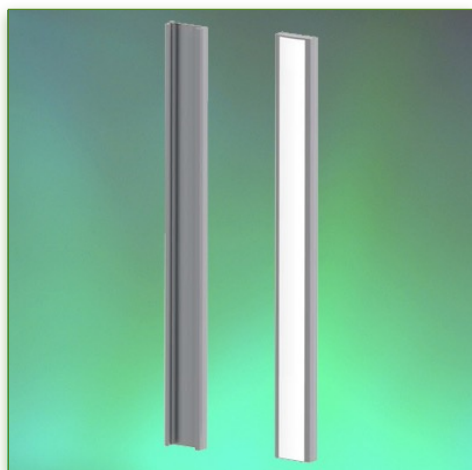
Vertical wall rail with cable duct Height 480 mm. Allows the fixation of the medical arms

Vertical wall sliding rail compatible with all wall medical arms that have the wall rail mounting interface. It integrates all cables. Can be cut to any size. Delivered with cable cover.

It is coated with an anti-microbial agent offering hygiene and cleaning down to the last detail. Its modern design has been specially designed for healthcare environments.

Technical specifications:

- * Length 480 mm
- * Vertical Wall Mount
- * Colour Aluminium
- * All our medical arms are in conformity: CE, ROHS, Medical Grade, Regulations MDD 93/42 ECC.
- * Warranty: 5 years

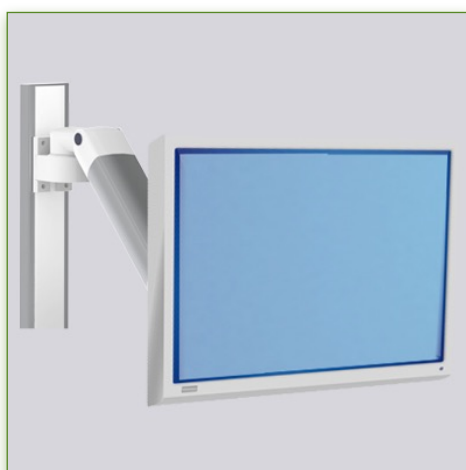
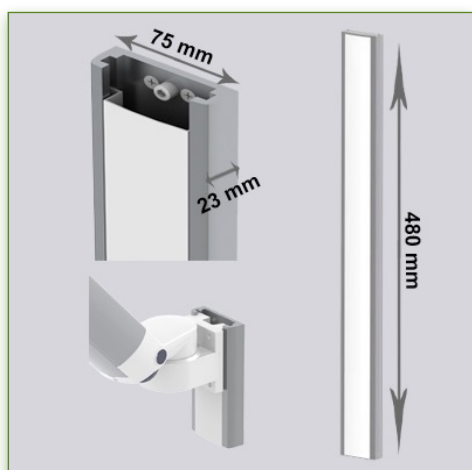


Vertical Wall Rail
with slide rail
480 mm

Part Number: 999.145



Medical Grade



Do not hesitate to contact us if you have any questions about this product.



Warranty: 5 years



000.999.145



Aluminium



On Measure



= Depending on the elements



999.145

Anti-bacterial properties:

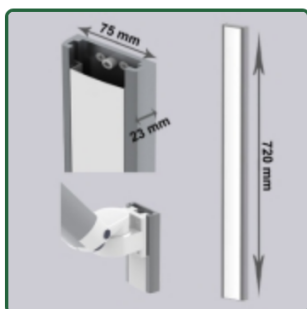
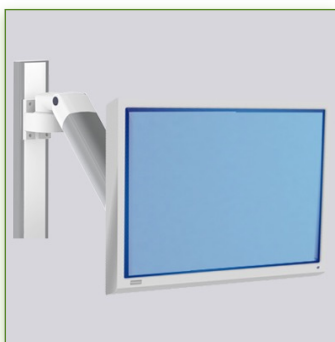
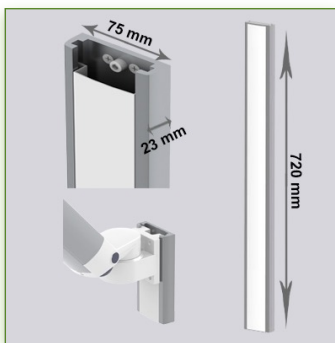
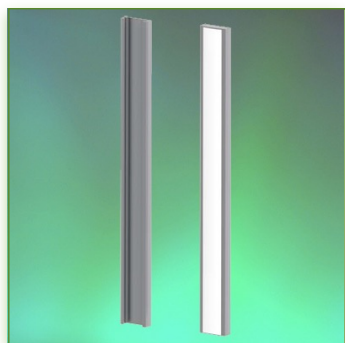
IT medical arms are now designed with Microban antibacterial protection, a revolutionary treatment that guarantees optimal hygiene. IT medical arms integrate Microban and other antibacterial agents into all medical products. It inhibits the growth of bacteria of all types. This is not a surface treatment.

It is 100% in the totality of the product.

It does not alter the physico-mechanical properties of the medical arm lift system. Simulations over 30 years show that 100% of the antibacterial properties are maintained.

All medical articulated arms incorporate Microban.

Microban is the world's leading provider of anti-bacterial solutions. It has been successfully applied for more than 35 years in a wide range of products used in the hospital, construction and food industries.



Vertical Wall Rail
with slide rail
720 mm

Part Number: 999.146



Do not hesitate to contact us if you have any questions about this product.



Warranty: 5 years



000.999.146



Aluminium



On Measure



= Depending on the elements



999.146

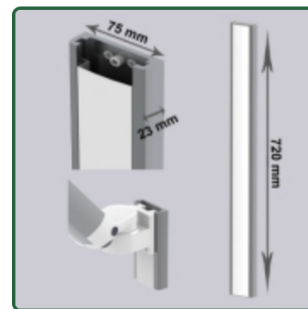
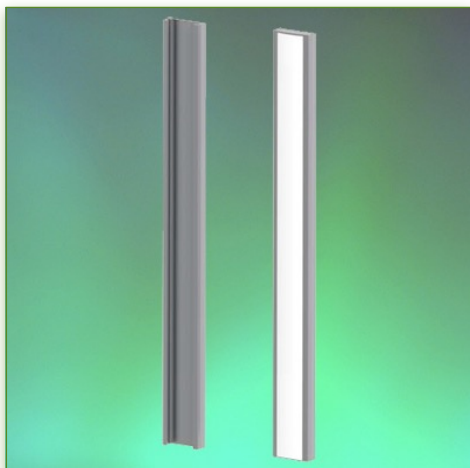
Vertical wall rail with cable duct Height 720 mm. Allows the fixation of the medical arms

Vertical wall sliding rail compatible with all wall medical arms that have the wall rail mounting interface. It integrates all cables. Can be cut to any size. Delivered with cable cover.

It is coated with an anti-microbial agent offering hygiene and cleaning down to the last detail. Its modern design has been specially designed for healthcare environments.

Technical specifications:

- * Length 720 mm
- * Vertical Wall Mount
- * Colour Aluminium
- * All our medical arms are in conformity: CE, ROHS, Medical Grade, Regulations MDD 93/42 ECC.
- * Warranty: 5 years



Vertical Wall Rail
with slide rail
720 mm

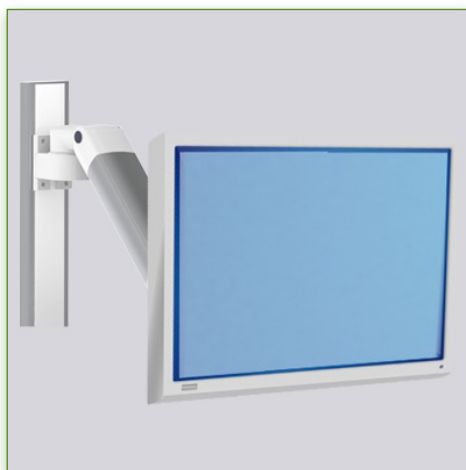
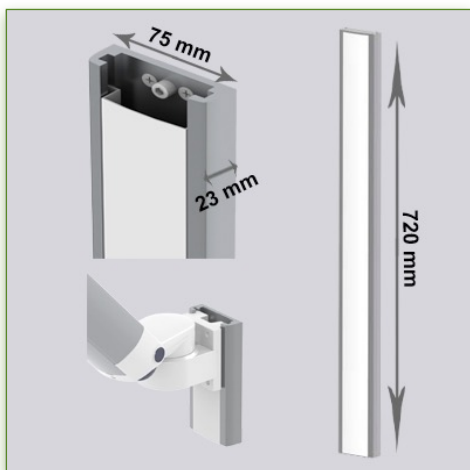
Part Number: 999.146



Medical Grade



Do not hesitate to contact us if you have any questions about this product.



Warranty: 5 years



000.999.146



Aluminium



On Measure



= Depending on the elements



999.146

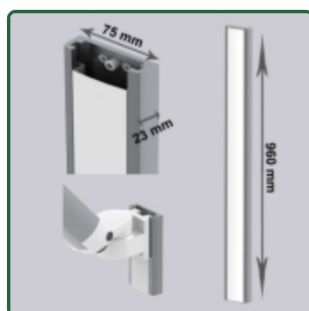
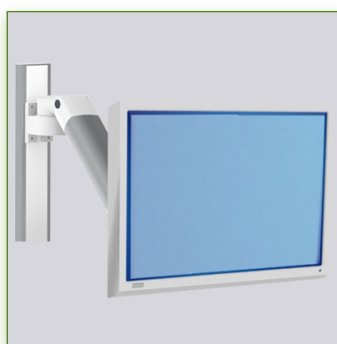
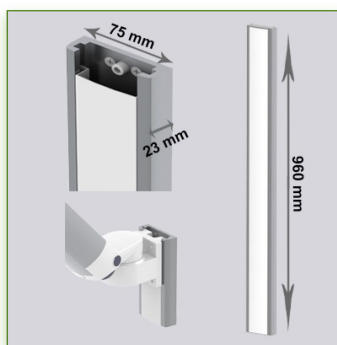
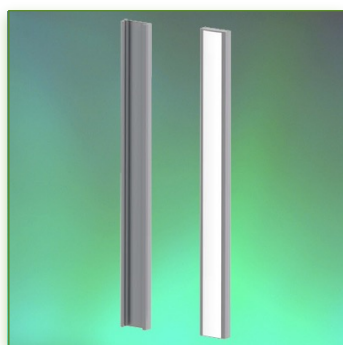
Anti-bacterial properties:

IT medical arms are now designed with Microban antibacterial protection, a revolutionary treatment that guarantees optimal hygiene. IT medical arms integrate Microban and other antibacterial agents into all medical products. It inhibits the growth of bacteria of all types. This is not a surface treatment.

It is 100% in the totality of the product.

It does not alter the physico-mechanical properties of the medical arm lift system. Simulations over 30 years show that 100% of the antibacterial properties are maintained.

All medical articulated arms incorporate Microban. Microban is the world's leading provider of anti-bacterial solutions. It has been successfully applied for more than 35 years in a wide range of products used in the hospital, construction and food industries.



Vertical Wall Rail
with slide rail
960 mm

Part Number: 999.147



Do not hesitate to contact us if you have any questions about this product.



Warranty: 5 years



000.999.147



Aluminium



On Measure



= Depending on the elements



999.147

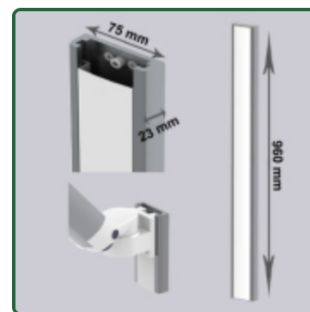
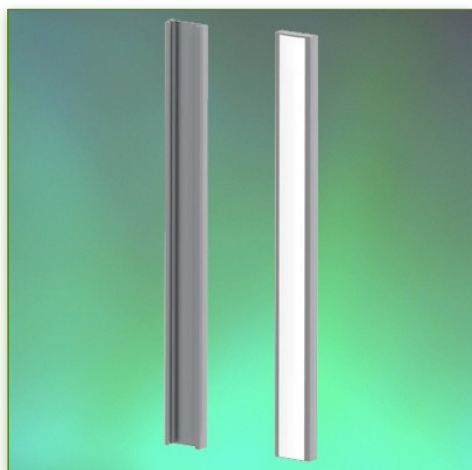
Vertical wall rail with cable duct Height 960 mm. Allows the fixation of the medical arms

Vertical wall sliding rail compatible with all wall medical arms that have the wall rail mounting interface. It integrates all cables. Can be cut to any size. Delivered with cable cover.

It is coated with an anti-microbial agent offering hygiene and cleaning down to the last detail. Its modern design has been specially designed for healthcare environments.

Technical specifications:

- * Length 960 mm
- * Vertical Wall Mount
- * Colour Aluminium
- * All our medical arms are in conformity: CE, ROHS, Medical Grade, Regulations MDD 93/42 ECC.
- * Warranty: 5 years



Vertical Wall Rail
with slide rail
960 mm

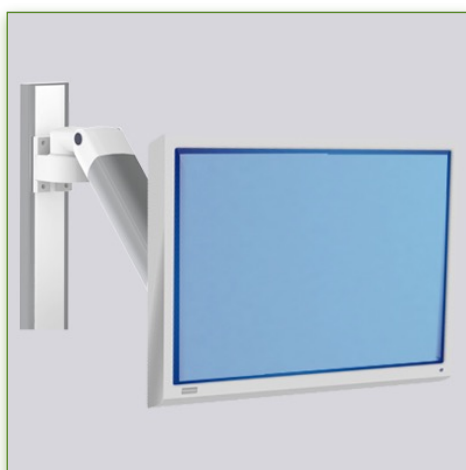
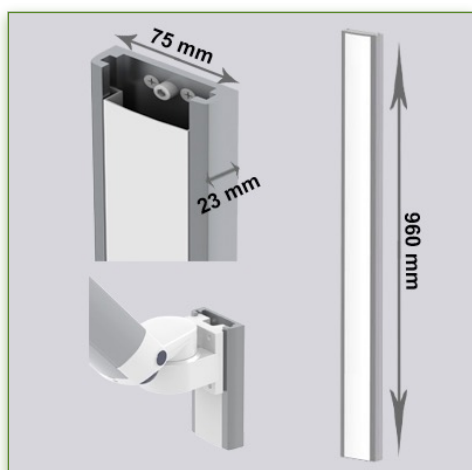
Part Number: 999.147



Medical Grade



Do not hesitate to contact us if you have any questions about this product.



Warranty: 5 years



000.999.147



Aluminium



On Measure



= Depending on the elements



999.147

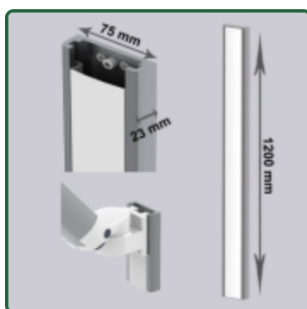
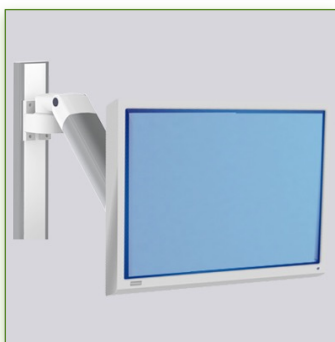
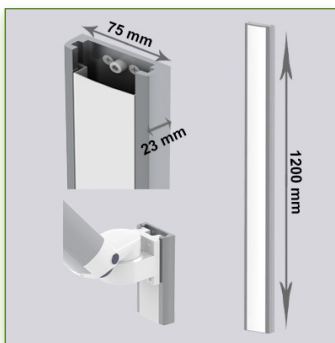
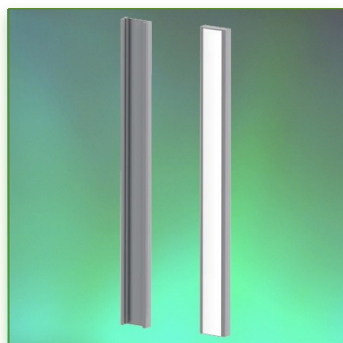
Anti-bacterial properties:

IT medical arms are now designed with Microban antibacterial protection, a revolutionary treatment that guarantees optimal hygiene. IT medical arms integrate Microban and other antibacterial agents into all medical products. It inhibits the growth of bacteria of all types. This is not a surface treatment.

It is 100% in the totality of the product.

It does not alter the physico-mechanical properties of the medical arm lift system. Simulations over 30 years show that 100% of the antibacterial properties are maintained.

All medical articulated arms incorporate Microban. Microban is the world's leading provider of anti-bacterial solutions. It has been successfully applied for more than 35 years in a wide range of products used in the hospital, construction and food industries.



Vertical Wall Rail
with slide rail
1200 mm

Part Number: 999.148



Do not hesitate to contact us if you have any questions about this product.



Warranty: 5 years



000.999.148



Aluminium



On Measure



= Depending on the elements



999.148

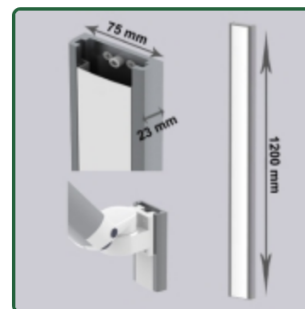
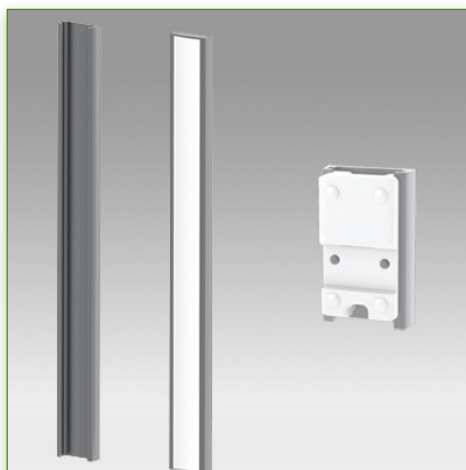
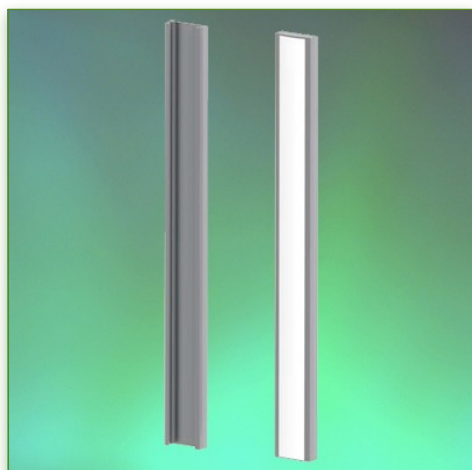
Vertical wall rail with cable duct Height 1200 mm. Allows the fixation of the medical arms

Vertical wall sliding rail compatible with all wall medical arms that have the wall rail mounting interface. It integrates all cables.
Can be cut to any size. Delivered with cable cover.

It is coated with an anti-microbial agent offering hygiene and cleaning down to the last detail. Its modern design has been specially designed for healthcare environments.

Technical specifications:

- * Length 1200 mm
- * Vertical Wall Mount
- * Colour Aluminium
- * All our medical arms are in conformity:
CE, ROHS, Medical Grade, Regulations MDD 93/42 ECC.
- * Warranty: 5 years



Vertical Wall Rail
with slide rail
1200 mm

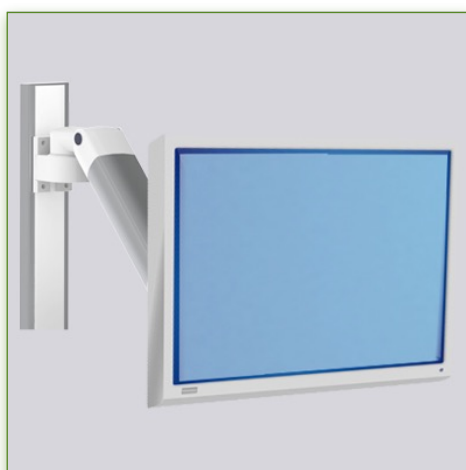
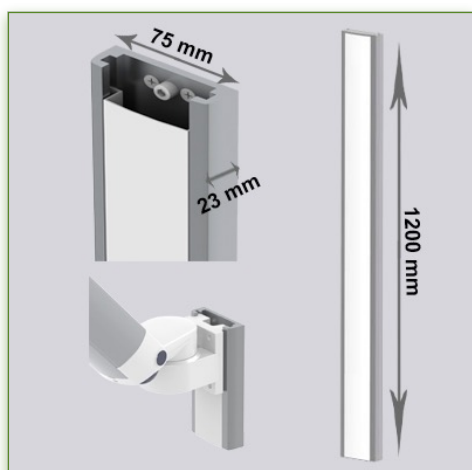
Part Number: 999.148



Medical Grade



Do not hesitate to contact us if you have any questions about this product.



Warranty: 5 years



000.999.148



Aluminium



On Measure



= Depending on the elements



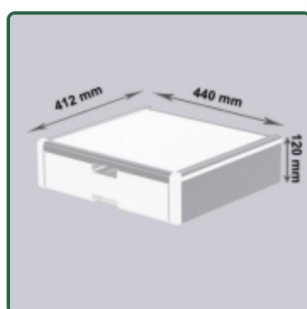
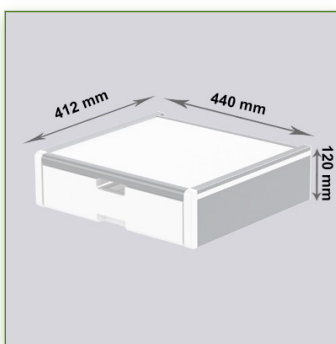
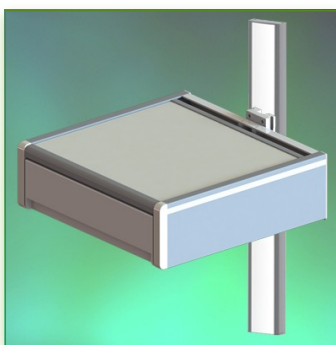
999.148

Anti-bacterial properties:

IT medical arms are now designed with Microban antibacterial protection, a revolutionary treatment that guarantees optimal hygiene. IT medical arms integrate Microban and other antibacterial agents into all medical products. It inhibits the growth of bacteria of all types. This is not a surface treatment.

It is 100% in the totality of the product. It does not alter the physico-mechanical properties of the medical arm lift system. Simulations over 30 years show that 100% of the antibacterial properties are maintained.

All medical articulated arms incorporate Microban. Microban is the world's leading provider of anti-bacterial solutions. It has been successfully applied for more than 35 years in a wide range of products used in the hospital, construction and food industries.



Single drawer
Mounting on Wall Rail

Part Number: 999.149



N'hésitez pas de nous contacter si vous avez des questions au sujet de ce produit.



Warranty: 5 years



000.999.149



Graphite Grey and White



On Measure



= Depending on the elements



999.149

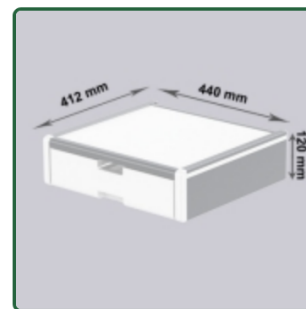
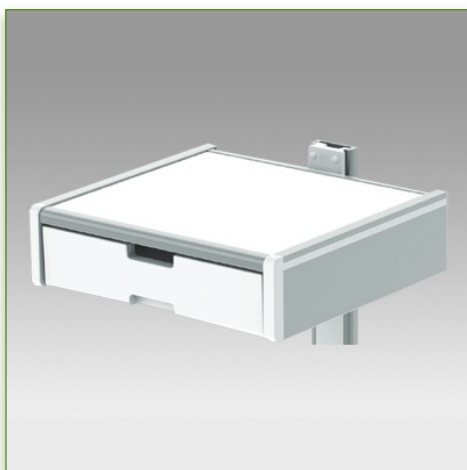
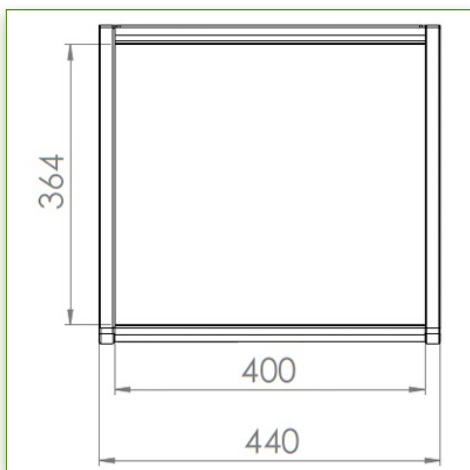
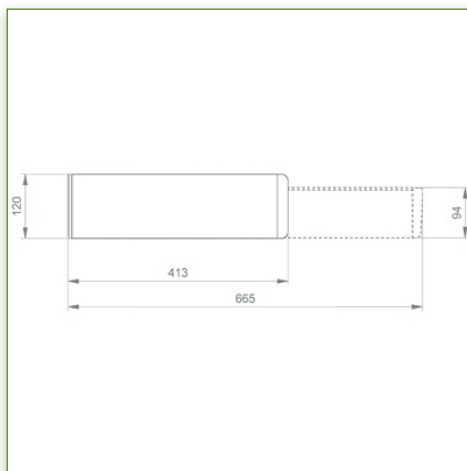
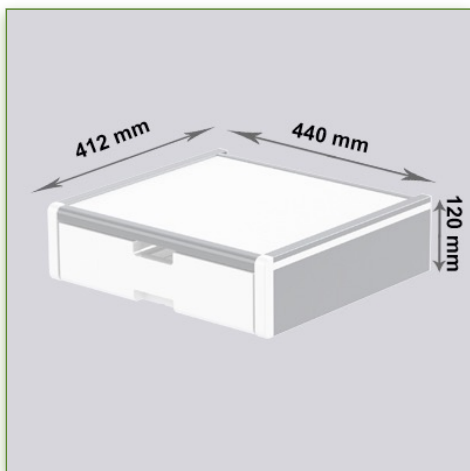
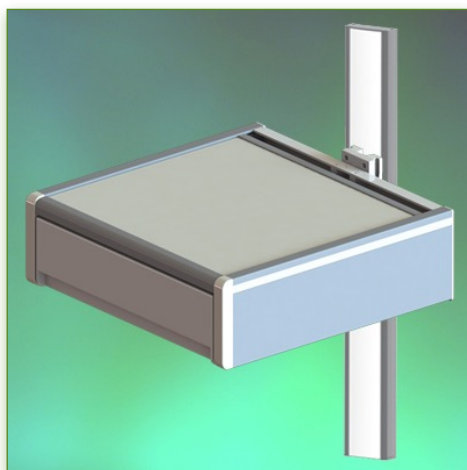
Single drawer Vertical wall rail mounting with cable channel.

A work surface with additional storage space and a sliding drawer.

It is coated with an anti-microbial agent offering hygiene and cleaning down to the last detail. Its modern design has been specially designed for healthcare environments.

Technical specifications:

- * Integrated cable channel
 - * Optional Vertical Wall Rail Mounting, several lengths available (480 mm - 720 mm - 960 mm - 1200 mm).
 - * Optional mounting on worktop or floor or ceiling column, several heights of which are available:
(300 mm - 500 mm - 1500 mm - 2000 mm)
- These wall rails can be easily cut to the required size. All cables also pass through the wall rail.
- * Weight Supported by the drawer: 25 Kg
 - * Working area 440 x 412 mm
 - * Internal sliding drawer dimensions: 364 x 400 mm
 - * Anodized, HPL and ABS (= anti-scratch, shock and scratch resistant) disinfectants)
 - * Colour RAL 7024 (Graphite grey)
 - * All our medical arms are in conformity:
CE, ROHS, Medical Grade, Regulations MDD 93/42 ECC.
- * Warranty: 5 years



Single drawer
Mounting on Wall Rail
Part Number: 999.149



Do not hesitate to contact us if you have any questions about this product.



Warranty: 5 years



000.999.149



Graphite Grey and White



On Measure



= Depending on the elements



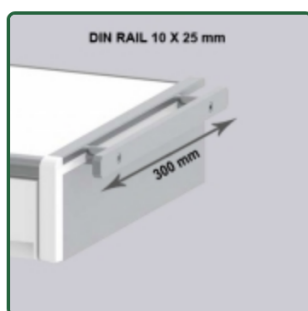
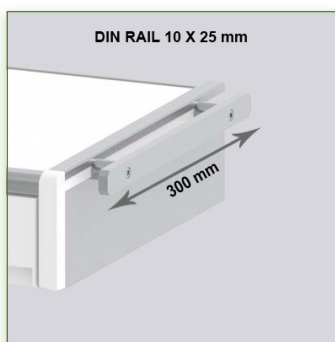
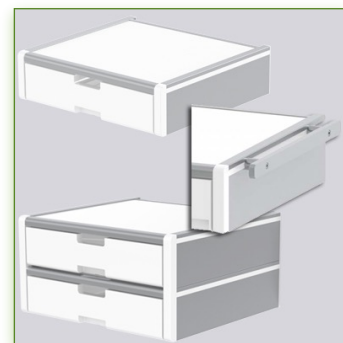
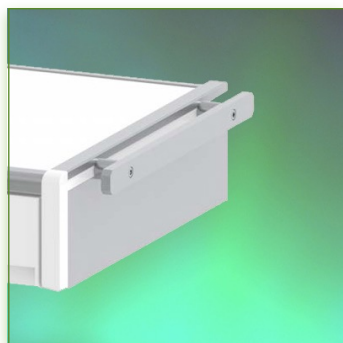
999.149

Anti-bacterial properties:

IT medical arms are now designed with Microban antibacterial protection, a revolutionary treatment that guarantees optimal hygiene. IT medical arms integrate Microban and other antibacterial agents into all medical products. It inhibits the growth of bacteria of all types. This is not a surface treatment.

It is 100% in the totality of the product. It does not alter the physico-mechanical properties of the medical arm lift system. Simulations over 30 years show that 100% of the antibacterial properties are maintained.

All medical articulated arms incorporate Microban. Microban is the world's leading provider of anti-bacterial solutions. It has been successfully applied for more than 35 years in a wide range of products used in the hospital, construction and food industries.



Din Rail 10 x 25 mm.
Length 300 mm.

Part Number: 999.150



Do not hesitate to contact us if you have any questions about this product.



Warranty: 5 years



000.999.150



Graphite Grey and White



On Measure



= Depending on the elements



999.150

Din Rail 10 x 25 mm. Length 300 mm. To mount on the sides of a console monitor or drawer.

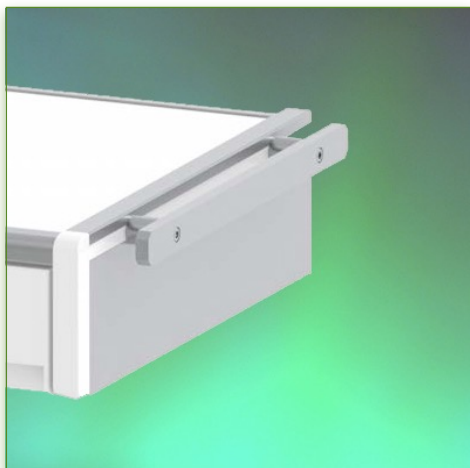
This Din Rail Horizontal adapter allows the fixing of all the elements having the Din Rail Horizontal interface and in particular the accessories.

Ideal complement when no Din Rails are available or absent. To mount on the sides of a console screen or drawer.

It is coated with an anti-microbial agent offering hygiene and cleaning down to the last detail. Its modern design has been specially designed for healthcare environments.

Technical specifications:

- * Length 300 mm
- * Mounting on the sides of a drawer or console screen left or right
- * Colour RAL 7024 (Graphite grey)
- * All our medical arms are in conformity: CE, ROHS, Medical Grade, Regulations MDD 93/42 ECC.
- * Warranty: 5 years



Din Rail 10 x 25 mm.
Length 300 mm.

Part Number: 999.150



Medical Grade



Do not hesitate to contact us if you have any questions about this product.



Warranty: 5 years



000.999.150



Graphite Grey and White



On Measure



= Depending on the elements



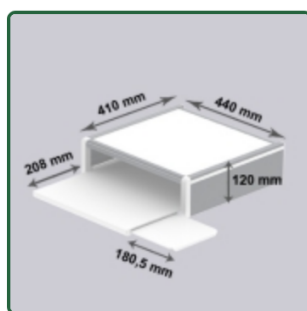
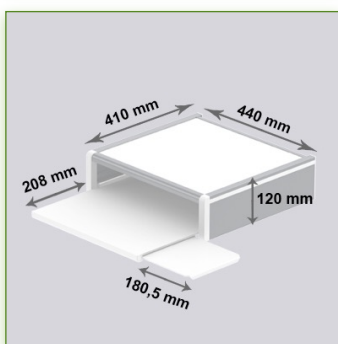
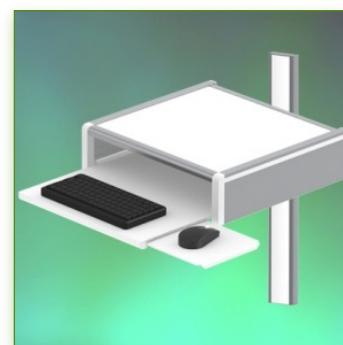
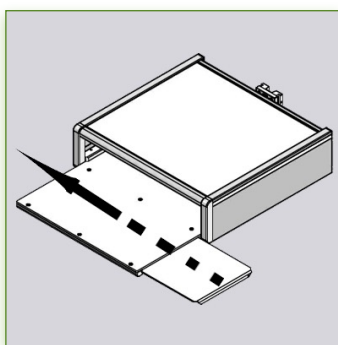
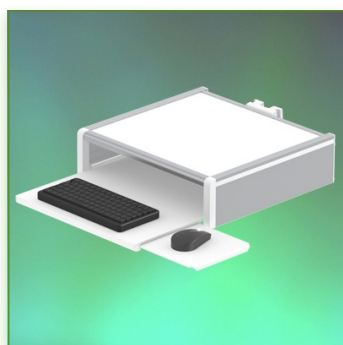
999.150

Anti-bacterial properties:

IT medical arms are now designed with Microban antibacterial protection, a revolutionary treatment that guarantees optimal hygiene. IT medical arms integrate Microban and other antibacterial agents into all medical products. It inhibits the growth of bacteria of all types. This is not a surface treatment.

It is 100% in the totality of the product. It does not alter the physico-mechanical properties of the medical arm lift system. Simulations over 30 years show that 100% of the antibacterial properties are maintained.

All medical articulated arms incorporate Microban. Microban is the world's leading provider of anti-bacterial solutions. It has been successfully applied for more than 35 years in a wide range of products used in the hospital, construction and food industries.



Drawer with Keyboard Holder
 Mounting on Wall Rail
 Part Number: 999.151

Do not hesitate to contact us if you have any questions about this product.

Warranty: 5 years

000.999.151

Graphite Grey and White

On Measure

= Depending on the elements

999.151

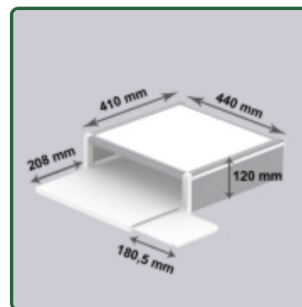
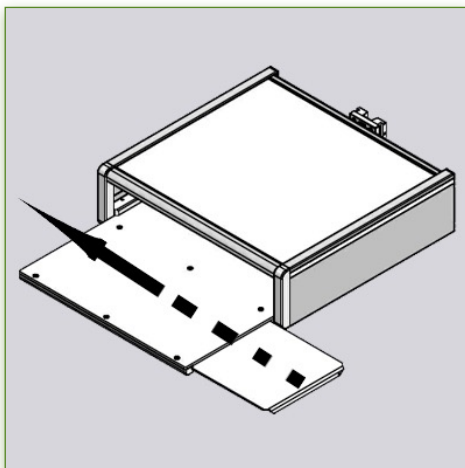
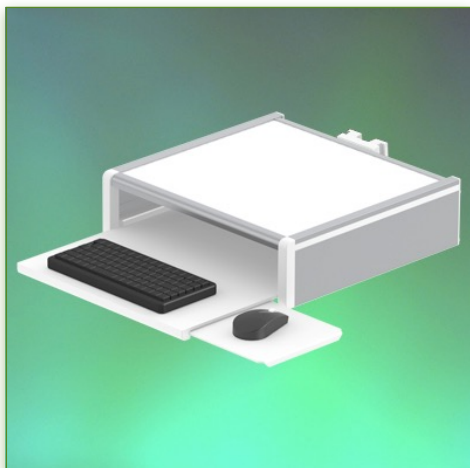
Drawer Keyboard Stand, Vertical Wall Rail Slide Mount

A work surface with additional storage space with integrated keyboard and mouse support.

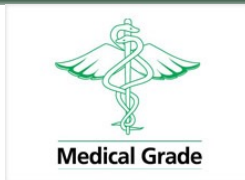
It is coated with an anti-microbial agent offering hygiene and cleaning down to the last detail. Its modern design has been specially designed for healthcare environments.

Technical specifications:

- * Integrated cable channel
- * Optional Vertical Wall Rail Mounting, several lengths available (480 mm - 720 mm - 960 mm - 1200 mm). These wall rails can be easily cut to the required size. All cables also pass through the wall rail.
- * Optional mounting on worktop or floor or ceiling column, several heights of which are available: (300 mm - 500 mm - 1500 mm - 2000 mm)
- * Weight Supported by the drawer: 25 Kg
- * Working area 440 x 412 mm
- * Sliding mouse holder (right/left) with a usable mouse surface of 180.5 x 208 mm
- * Keyboard holder with 259.5 x 208 mm usable area
- * Anodized, HPL and ABS (= anti-scratch, shock and scratch resistant) disinfectants)
- * Colour RAL 7024 (Graphite grey)
- * All our medical arms are in conformity: CE, ROHS, Medical Grade, Regulations MDD 93/42 ECC.
- * Warranty: 5 years



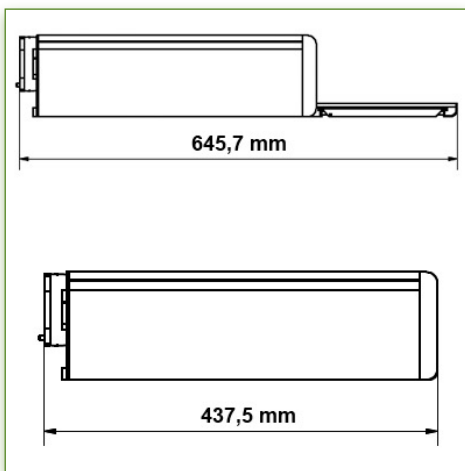
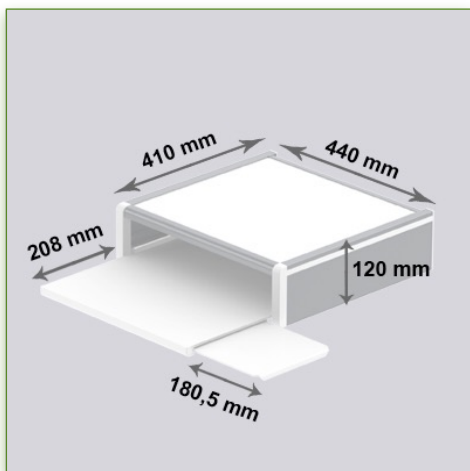
Drawer with Keyboard Holder
 Mounting on Wall Rail
 Part Number: 999.151



Medical Grade



Do not hesitate to contact us if you have any questions about this product.



Warranty: 5 years



000.999.151



Graphite Grey and White



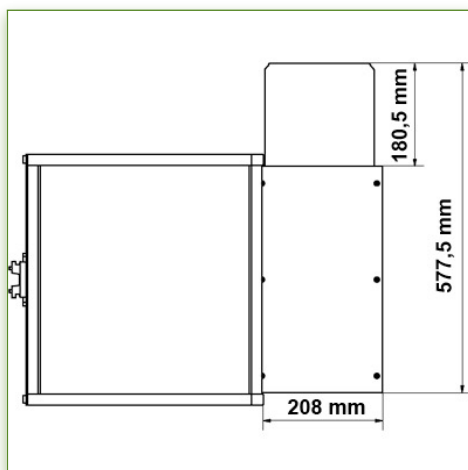
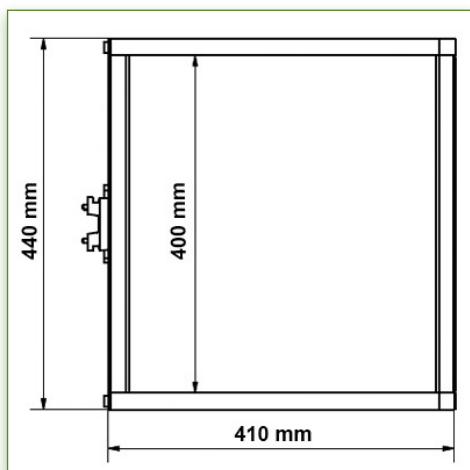
On Measure



= Depending on the elements



999.151

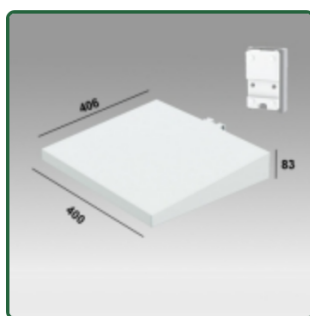
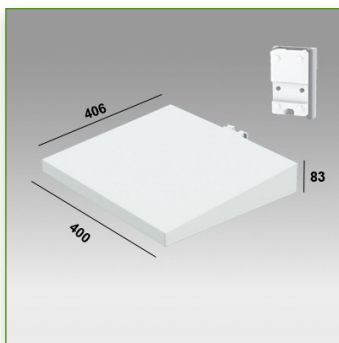


Anti-bacterial properties:

IT medical arms are now designed with Microban antibacterial protection, a revolutionary treatment that guarantees optimal hygiene. IT medical arms integrate Microban and other antibacterial agents into all medical products. It inhibits the growth of bacteria of all types. This is not a surface treatment.

It is 100% in the totality of the product. It does not alter the physico-mechanical properties of the medical arm lift system. Simulations over 30 years show that 100% of the antibacterial properties are maintained.

All medical articulated arms incorporate Microban. Microban is the world's leading provider of anti-bacterial solutions. It has been successfully applied for more than 35 years in a wide range of products used in the hospital, construction and food industries.



HD worktop
 Mounting on Wall Rail

Part Number: 999.153



Do not hesitate to contact us if you have any questions about this product.



Warranty: 5 years



000.999.153



Graphite Grey and White



On Measure



= Depending on the elements



999.153

HD work surface Vertical Wall Rail Slide Mount

A complementary work surface covered with an anti-microbial agent offering hygiene and cleaning down to the last detail.

Its modern design has been specially designed for healthcare environments.

Technical specifications:

* Optional Vertical Wall Rail Mounting, several lengths available (480 mm - 720 mm - 960 mm - 1200 mm).

These wall rails can be easily cut to the required size. All cables also pass through the wall rail.

* Optional mounting on worktop or floor or ceiling column, several heights of which are available:
 (300 mm - 500 mm - 1500 mm - 2000 mm)

* Weight Supported by the work surface: 35 Kg

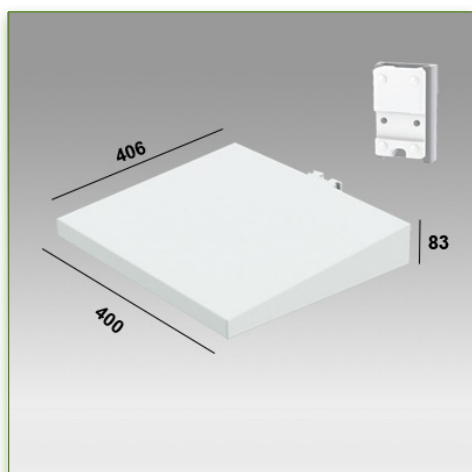
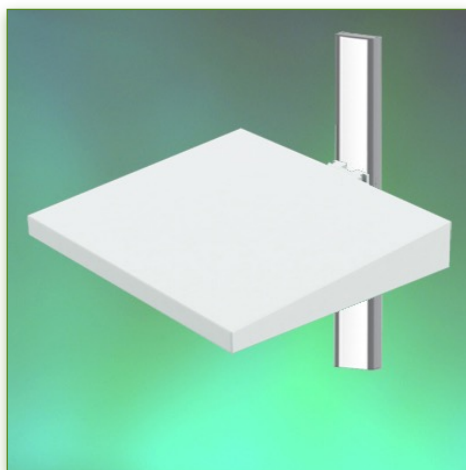
* Working area 435 x 410 x 47 mm

* Anodized, HPL and ABS (= anti-scratch, shock and scratch resistant) disinfectants)

* Colour RAL 7024 (Graphite grey)

* All our medical arms are in conformity:
 CE, ROHS, Medical Grade, Regulations MDD 93/42 ECC.

* Warranty: 5 years



HD worktop
 Mounting on Wall Rail

Part Number: 999.153



Medical Grade



Do not hesitate to contact us if you have any questions about this product.



Warranty: 5 years



000.999.153



Graphite Grey and White



On Measure



= Depending on the elements



999.153

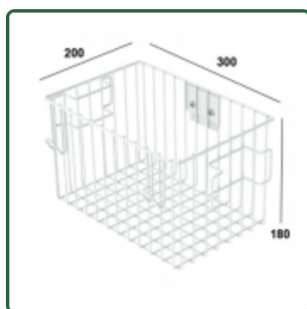
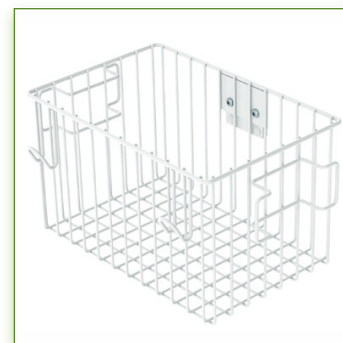
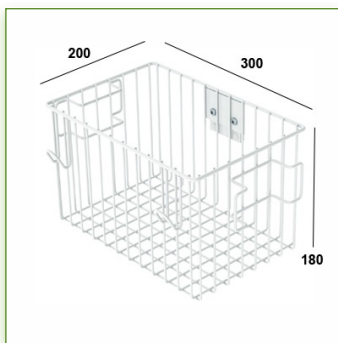
Anti-bacterial properties:

IT medical arms are now designed with Microban antibacterial protection, a revolutionary treatment that guarantees optimal hygiene. IT medical arms integrate Microban and other antibacterial agents into all medical products. It inhibits the growth of bacteria of all types. This is not a surface treatment.

It is 100% in the totality of the product.

It does not alter the physico-mechanical properties of the medical arm lift system. Simulations over 30 years show that 100% of the antibacterial properties are maintained.

All medical articulated arms incorporate Microban. Microban is the world's leading provider of anti-bacterial solutions. It has been successfully applied for more than 35 years in a wide range of products used in the hospital, construction and food industries.



Large Service Basket
Mounting on Wall Rail

Part Number: 999.154



Do not hesitate to contact us if you have any questions about this product.



Warranty: 5 years



000.999.154



Anodised aluminium



On Measure



= Depending on the elements



999.154

Large service basket 200 x 300 x 180 mm on vertical sliding wall rail

Large service basket in anodised aluminium.

Its open structure allows direct access to its contents.

It is coated with an anti-microbial agent offering hygiene and cleaning down to the last detail. Its modern design has been specially designed for healthcare environments.

Technical specifications:

* Optional Vertical Wall Rail Mounting, several lengths available (480 mm - 720 mm - 960 mm - 1200 mm).

These wall rails can be easily cut to the required size. All cables also pass through the wall rail.

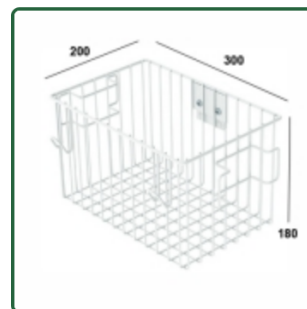
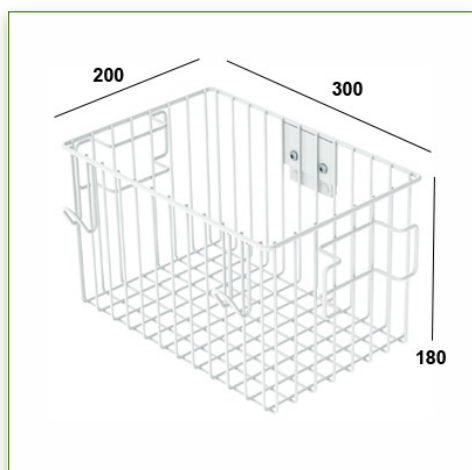
* Optional mounting on worktop or floor or ceiling column, several heights of which are available:
(300 mm - 500 mm - 1500 mm - 2000 mm)

* Dimensions: 180 x 300 x 200 mm

* Colour Anodised aluminium

* All our medical arms are in conformity:
CE, ROHS, Medical Grade, Regulations MDD 93/42 ECC.

* Warranty: 5 years



Large Service Basket
Mounting on Wall Rail

Part Number: 999.154



Medical Grade



Do not hesitate to contact us if you have any questions about this product.



Warranty: 5 years



000.999.154



Anodised aluminium



On Measure



= Depending on the elements



999.154

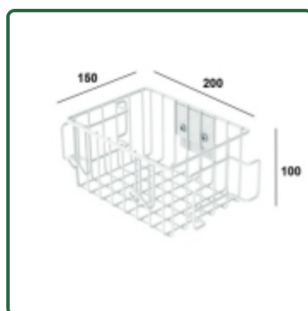
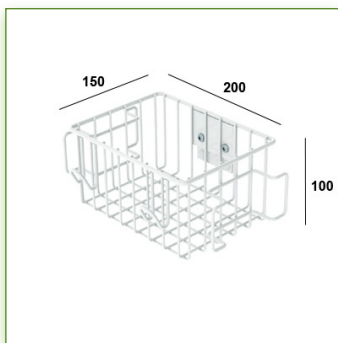
Anti-bacterial properties:

IT medical arms are now designed with Microban antibacterial protection, a revolutionary treatment that guarantees optimal hygiene. IT medical arms integrate Microban and other antibacterial agents into all medical products. It inhibits the growth of bacteria of all types. This is not a surface treatment.

It is 100% in the totality of the product.

It does not alter the physico-mechanical properties of the medical arm lift system. Simulations over 30 years show that 100% of the antibacterial properties are maintained.

All medical articulated arms incorporate Microban. Microban is the world's leading provider of anti-bacterial solutions. It has been successfully applied for more than 35 years in a wide range of products used in the hospital, construction and food industries.



Small Service Basket
Mounting on Wall Rail

Part Number: 999.155



Do not hesitate to contact us if you have any questions about this product.



Warranty: 5 years



000.999.155



Anodised aluminium



On Measure



= Depending on the elements



999.155

Small service basket 100 x 150 x 200 mm on vertical sliding wall rail

Small service basket in anodized aluminium.

Its open structure allows direct access to its contents.

It is coated with an anti-microbial agent offering hygiene and cleaning down to the last detail. Its modern design has been specially designed for healthcare environments.

Technical specifications:

* Optional Vertical Wall Rail Mounting, several lengths available (480 mm - 720 mm - 960 mm - 1200 mm).

These wall rails can be easily cut to the required size. All cables also pass through the wall rail.

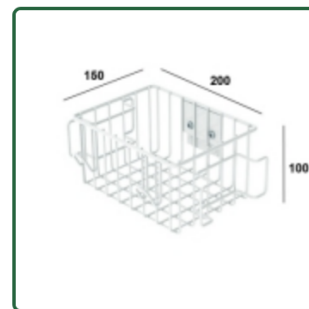
* Optional mounting on worktop or floor or ceiling column, several heights of which are available:
(300 mm - 500 mm - 1500 mm - 2000 mm)

* Dimensions: 100 x 150 x 200 mm

* Colour Anodised aluminium

* All our medical arms are in conformity:
CE, ROHS, Medical Grade, Regulations MDD 93/42 ECC.

* Warranty: 5 years



Small Service Basket
Mounting on Wall Rail

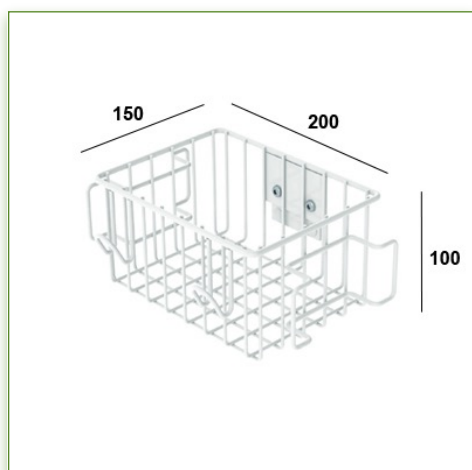
Part Number: 999.155



Medical Grade



Do not hesitate to contact us if you have any questions about this product.



Warranty: 5 years



000.999.155



Anodised aluminium



On Measure



= Depending on the elements



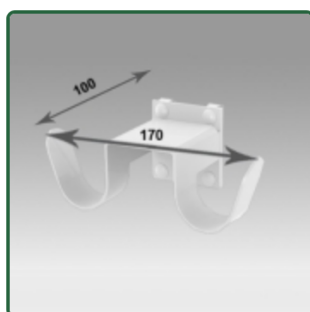
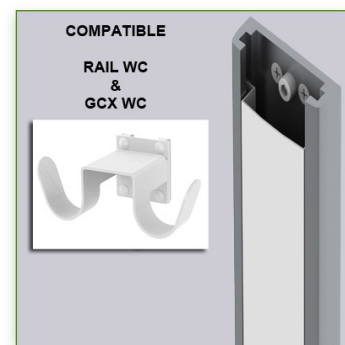
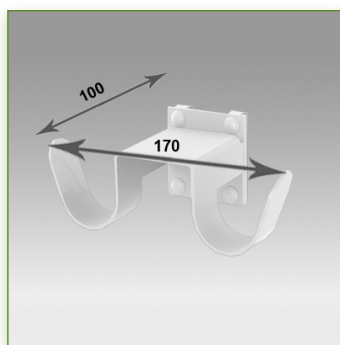
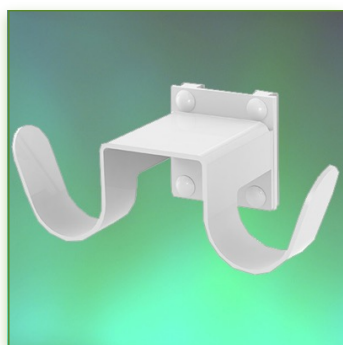
999.155

Anti-bacterial properties:

IT medical arms are now designed with Microban antibacterial protection, a revolutionary treatment that guarantees optimal hygiene. IT medical arms integrate Microban and other antibacterial agents into all medical products. It inhibits the growth of bacteria of all types. This is not a surface treatment.

It is 100% in the totality of the product. It does not alter the physico-mechanical properties of the medical arm lift system. Simulations over 30 years show that 100% of the antibacterial properties are maintained.

All medical articulated arms incorporate Microban. Microban is the world's leading provider of anti-bacterial solutions. It has been successfully applied for more than 35 years in a wide range of products used in the hospital, construction and food industries.



Double cable hooks Mounting on Wall Rail
 Part Number: 999.156

Do not hesitate to contact us if you have any questions about this product.

Warranty: 5 years

000.999.156

Graphite grey

On Measure

= Depending on the elements

999.156

Double cable hooks for vertical sliding wall rail mounting

This cable hook with its vertical wall rail mounting interface is the ideal complement when certain cables that are too long have to be suspended.

It is coated with an anti-microbial agent offering hygiene and cleaning down to the last detail. Its modern design has been specially designed for healthcare environments.

Technical specifications:

* Optional Vertical Wall Rail Mounting, several lengths available (480 mm - 720 mm - 960 mm - 1200 mm).

These wall rails can be easily cut to the required size. All cables also pass through the wall rail.

* Optional mounting on worktop or floor or ceiling column, several heights of which are available:
 (300 mm - 500 mm - 1500 mm - 2000 mm)

* Cable hook with two pins

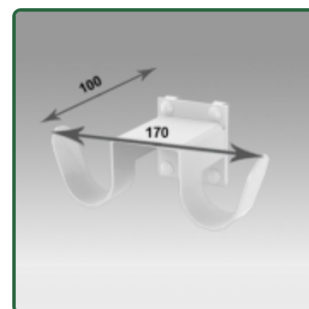
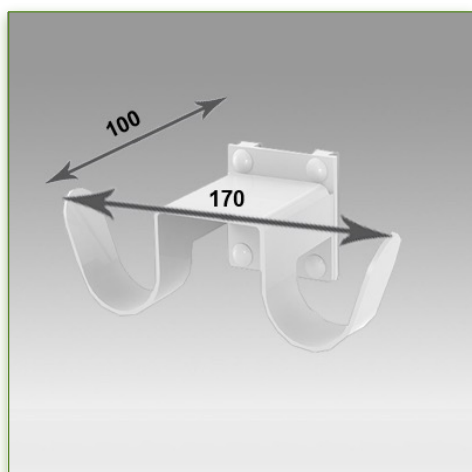
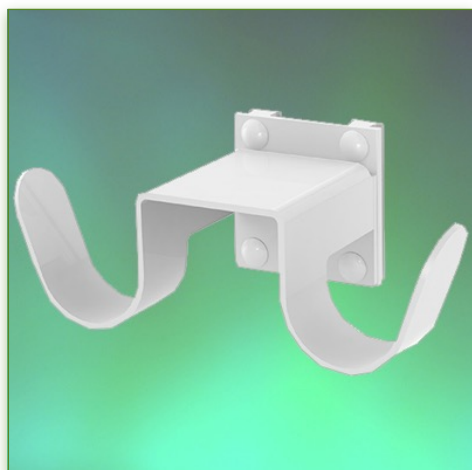
* Length 170 mm

* Wall Mount

* Colour RAL 7024 (Graphite grey)

* All our medical arms are in conformity:
 CE, ROHS, Medical Grade, Regulations MDD 93/42 ECC.

* Warranty: 5 years



Double cable hooks Mounting on Wall Rail

Part Number: 999.156



Medical Grade



Do not hesitate to contact us if you have any questions about this product.



Warranty: 5 years



000.999.156



Graphite grey



On Measure



= Depending on the elements



999.156

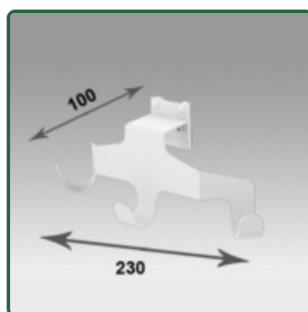
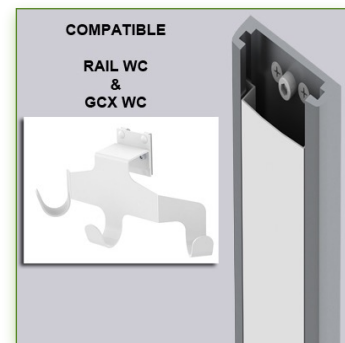
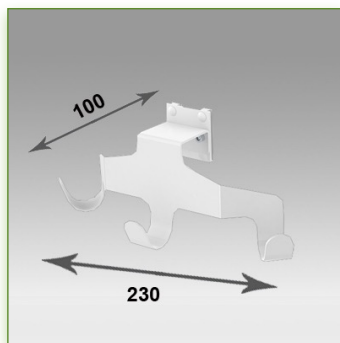
Anti-bacterial properties:

IT medical arms are now designed with Microban antibacterial protection, a revolutionary treatment that guarantees optimal hygiene. IT medical arms integrate Microban and other antibacterial agents into all medical products. It inhibits the growth of bacteria of all types. This is not a surface treatment.

It is 100% in the totality of the product.

It does not alter the physico-mechanical properties of the medical arm lift system. Simulations over 30 years show that 100% of the antibacterial properties are maintained.

All medical articulated arms incorporate Microban. Microban is the world's leading provider of anti-bacterial solutions. It has been successfully applied for more than 35 years in a wide range of products used in the hospital, construction and food industries.



Triple cable hooks, mounting on Wall Rail
 Part Number: 999.157

Do not hesitate to contact us if you have any questions about this product.

Warranty: 5 years

000.999.157

Graphite grey

On Measure

= Depending on the elements

999.157

Triple cable hooks for vertical sliding wall rail mounting

This cable hook with its vertical wall rail mounting interface is the ideal complement when certain cables that are too long have to be suspended.

It is coated with an anti-microbial agent offering hygiene and cleaning down to the last detail. Its modern design has been specially designed for healthcare environments.

Technical specifications:

* Optional Vertical Wall Rail Mounting, several lengths available (480 mm - 720 mm - 960 mm - 1200 mm).

These wall rails can be easily cut to the required size. All cables also pass through the wall rail.

* Optional mounting on worktop or floor or ceiling column, several heights of which are available:
 (300 mm - 500 mm - 1500 mm - 2000 mm)

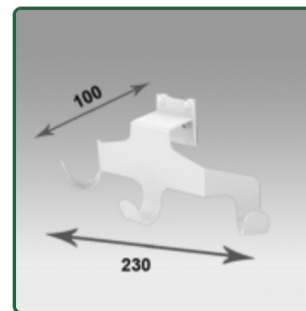
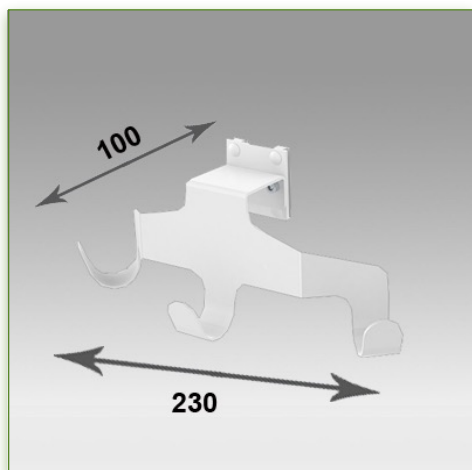
* Hook for cable with three pins

* Length 230 mm

* Wall Mount

* Colour RAL 7024 (Graphite grey)

* All our medical arms are in conformity:
 CE, ROHS, Medical Grade, Regulations MDD 93/42 ECC.
 Warranty: 5 years



Triple cable hooks, mounting
on Wall Rail

Part Number: 999.157



Medical Grade



Do not hesitate to contact us if you have any questions about this product.



Warranty: 5 years



000.999.157



Graphite grey



On Measure



= Depending on the elements



999.157

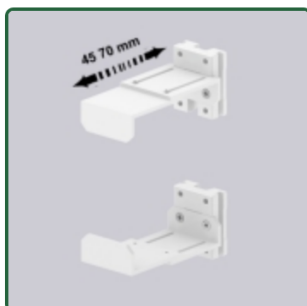
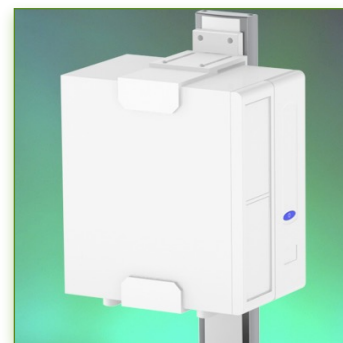
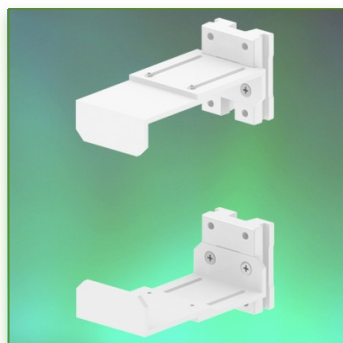
Anti-bacterial properties:

IT medical arms are now designed with Microban antibacterial protection, a revolutionary treatment that guarantees optimal hygiene. IT medical arms integrate Microban and other antibacterial agents into all medical products. It inhibits the growth of bacteria of all types. This is not a surface treatment.

It is 100% in the totality of the product.

It does not alter the physico-mechanical properties of the medical arm lift system. Simulations over 30 years show that 100% of the antibacterial properties are maintained.

All medical articulated arms incorporate Microban. Microban is the world's leading provider of anti-bacterial solutions. It has been successfully applied for more than 35 years in a wide range of products used in the hospital, construction and food industries.



CPU holder Adjustable
45-70 mm
mounting on Wall Rail

Part Number: 999.158



Do not hesitate to contact us if you have any questions about this product.



Warranty: 5 years



000.999.158



Graphite Grey



On Measure



= Depending on the elements



999.158

Adjustable CPU Holder 45-70 mm on vertical sliding wall rail

This CPU support is adjustable in width and height and is suitable for the majority of CPU's on the market.

It is coated with an anti-microbial agent offering hygiene and cleaning down to the last detail. Its modern design has been specially designed for healthcare environments.

Technical specifications:

* Optional Vertical Wall Rail Mounting, several lengths available (480 mm - 720 mm - 960 mm - 1200 mm).

These wall rails can be easily cut to the required size. All cables also pass through the wall rail.

* Optional mounting on worktop or floor or ceiling column, several heights of which are available:
(300 mm - 500 mm - 1500 mm - 2000 mm)

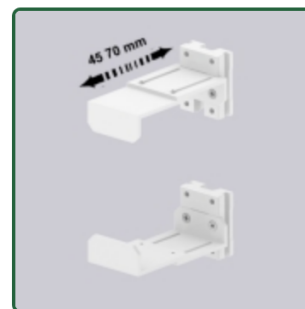
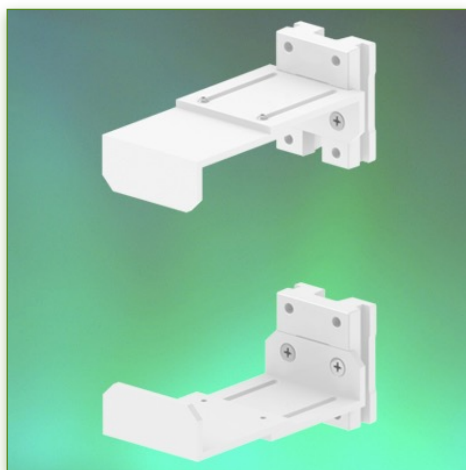
* Adjustable in height according to the length of the wall rail

* Adjustable width from 45 to 70 mm

* Colour RAL 7024 (Graphite grey)

* All our medical arms are in conformity:
CE, ROHS, Medical Grade, Regulations MDD 93/42 ECC.

* Warranty: 5 years



CPU holder Adjustable
45-70 mm
mounting on Wall Rail

Part Number: 999.158



Medical Grade



Do not hesitate to contact us if you have any questions about this product.



Warranty: 5 years



000.999.158



Graphite Grey



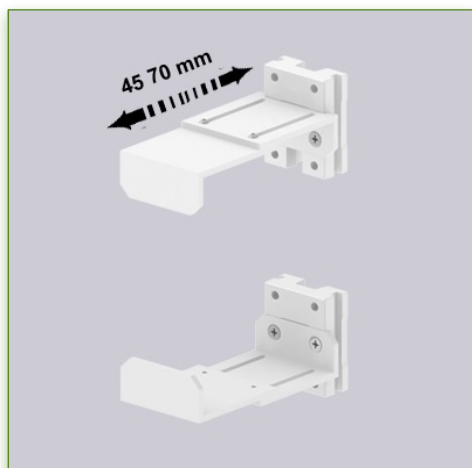
On Measure



= Depending on the elements



999.158



COMPATIBLE

RAIL WC
&
GCX WC

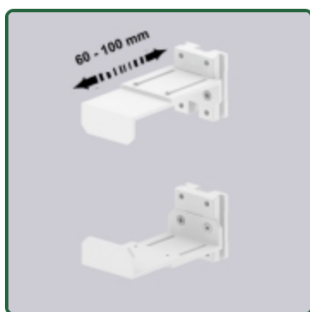
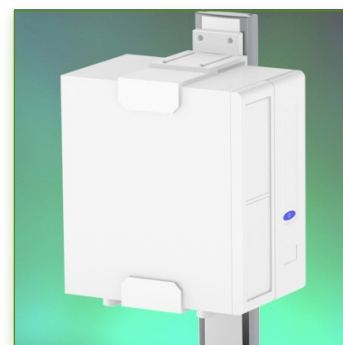
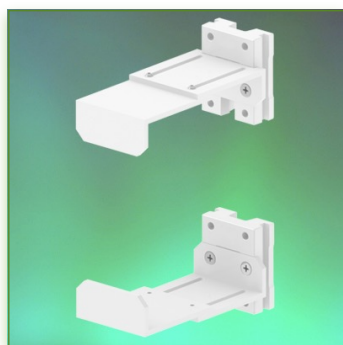
Anti-bacterial properties:

IT medical arms are now designed with Microban antibacterial protection, a revolutionary treatment that guarantees optimal hygiene. IT medical arms integrate Microban and other antibacterial agents into all medical products. It inhibits the growth of bacteria of all types. This is not a surface treatment.

It is 100% in the totality of the product.

It does not alter the physico-mechanical properties of the medical arm lift system. Simulations over 30 years show that 100% of the antibacterial properties are maintained.

All medical articulated arms incorporate Microban. Microban is the world's leading provider of anti-bacterial solutions. It has been successfully applied for more than 35 years in a wide range of products used in the hospital, construction and food industries.



CPU holder Adjustable
 60-100 mm
 mounting on Wall Rail
 Part Number: 999.159

Do not hesitate to contact us if you have any questions about this product.

Warranty: 5 years

000.999.159

Graphite Grey

On Measure

= Depending on the elements

999.159

Adjustable CPU Holder 60-100 mm on vertical sliding wall rail

This CPU support is adjustable in width and height and is suitable for the majority of CPU's on the market.

It is coated with an anti-microbial agent offering hygiene and cleaning down to the last detail. Its modern design has been specially designed for healthcare environments.

Technical specifications:

* Optional Vertical Wall Rail Mounting, several lengths available (480 mm - 720 mm - 960 mm - 1200 mm).

These wall rails can be easily cut to the required size. All cables also pass through the wall rail.

* Optional mounting on worktop or floor or ceiling column, several heights of which are available:
 (300 mm - 500 mm - 1500 mm - 2000 mm)

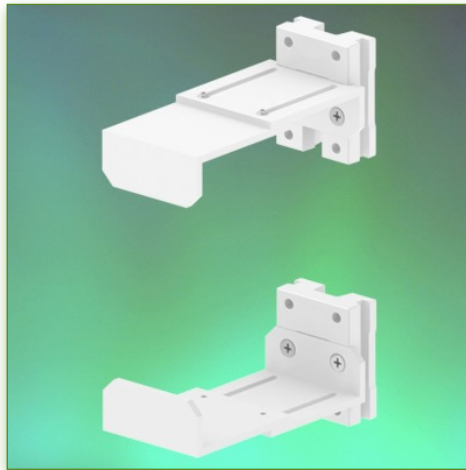
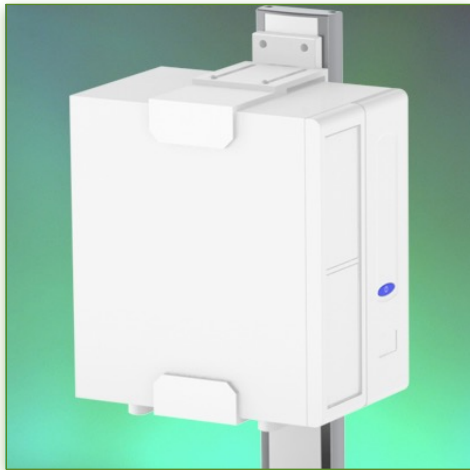
* Adjustable in height according to the length of the wall rail

* Adjustable width from 60 to 100 mm

* Colour RAL 7024 (Graphite grey)

* All our medical arms are in conformity:
 CE, ROHS, Medical Grade, Regulations MDD 93/42 ECC.

* Warranty: 5 years



CPU holder Adjustable
60-100 mm
mounting on Wall Rail

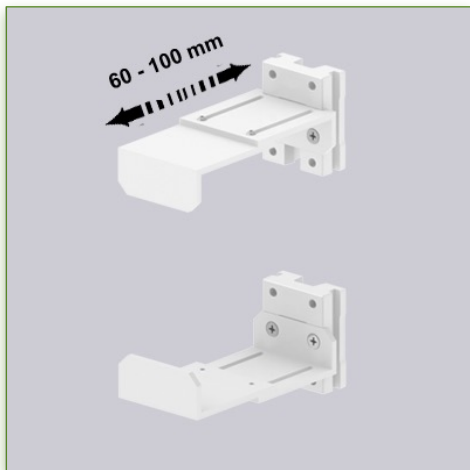
Part Number: 999.159



Medical Grade



Do not hesitate to contact us if you have any questions about this product.



Warranty: 5 years



000.999.159



Graphite Grey



On Measure



= Depending on the elements



999.159

Anti-bacterial properties:

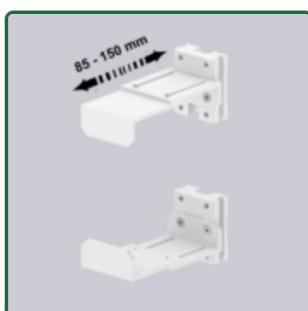
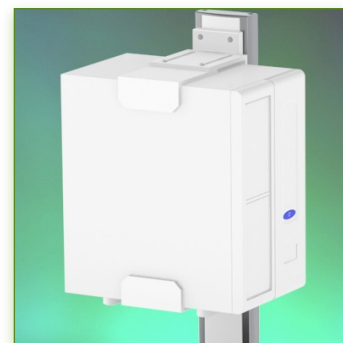
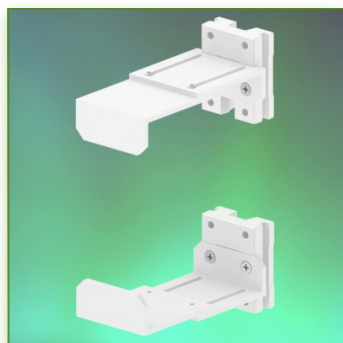
IT medical arms are now designed with Microban antibacterial protection, a revolutionary treatment that guarantees optimal hygiene. IT medical arms integrate Microban and other antibacterial agents into all medical products. It inhibits the growth of bacteria of all types. This is not a surface treatment.

It is 100% in the totality of the product.

It does not alter the physico-mechanical properties of the medical arm lift system. Simulations over 30 years show that 100% of the antibacterial properties are maintained.

All medical articulated arms incorporate Microban.

Microban is the world's leading provider of anti-bacterial solutions. It has been successfully applied for more than 35 years in a wide range of products used in the hospital, construction and food industries.



CPU holder Adjustable
85-150 mm
mounting on Wall Rail

Part Number: 999.160



Do not hesitate to contact us if you have any questions about this product.



Warranty: 5 years



000.999.160



Graphite Grey



On Measure



= Depending on the elements



999.160

Adjustable CPU Holder 85-150 mm on vertical sliding wall rail

This CPU support is adjustable in width and height and is suitable for the majority of CPU's on the market.

It is coated with an anti-microbial agent offering hygiene and cleaning down to the last detail. Its modern design has been specially designed for healthcare environments.

Technical specifications:

* Optional Vertical Wall Rail Mounting, several lengths available (480 mm - 720 mm - 960 mm - 1200 mm).

These wall rails can be easily cut to the required size. All cables also pass through the wall rail.

* Optional mounting on worktop or floor or ceiling column, several heights of which are available:
(300 mm - 500 mm - 1500 mm - 2000 mm)

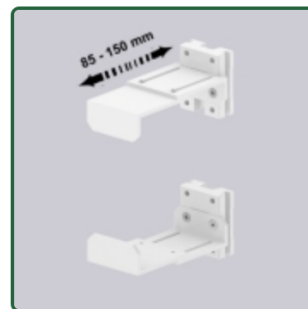
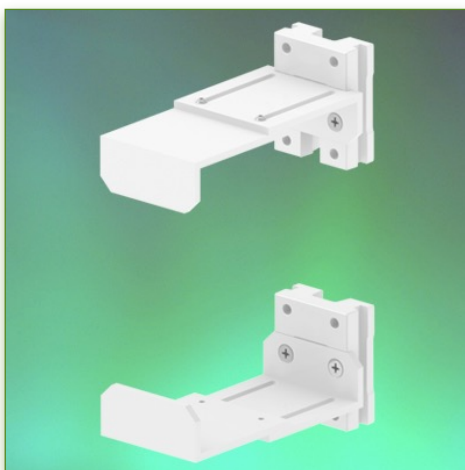
* Adjustable in height according to the length of the wall rail

* Adjustable width from 85 to 150 mm

* Colour RAL 7024 (Graphite grey)

* All our medical arms are in conformity:
CE, ROHS, Medical Grade, Regulations MDD 93/42 ECC.

* Warranty: 5 years



CPU holder Adjustable
85-150 mm
mounting on Wall Rail

Part Number: 999.160



Medical Grade



Do not hesitate to contact us if you have any questions about this product.



Warranty: 5 years



000.999.160



Graphite Grey



On Measure



= Depending on the elements



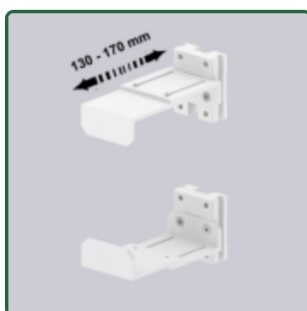
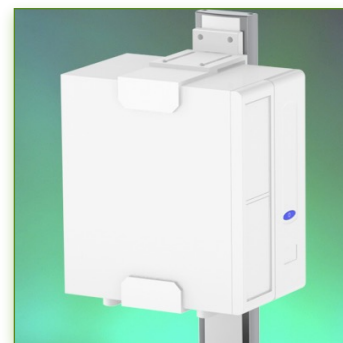
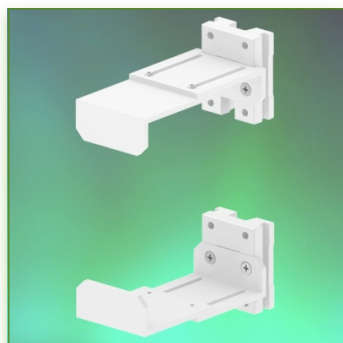
999.160

Anti-bacterial properties:

IT medical arms are now designed with Microban antibacterial protection, a revolutionary treatment that guarantees optimal hygiene. IT medical arms integrate Microban and other antibacterial agents into all medical products. It inhibits the growth of bacteria of all types. This is not a surface treatment.

It is 100% in the totality of the product. It does not alter the physico-mechanical properties of the medical arm lift system. Simulations over 30 years show that 100% of the antibacterial properties are maintained.

All medical articulated arms incorporate Microban. Microban is the world's leading provider of anti-bacterial solutions. It has been successfully applied for more than 35 years in a wide range of products used in the hospital, construction and food industries.



CPU holder Adjustable
 130-170 mm mounting on
 Wall Rail

Part Number: 999.161



Do not hesitate to contact us if you have any questions about this product.



Warranty: 5 years



000.999.161



Graphite Grey



On Measure



= Depending on the elements



999.161

Adjustable CPU Holder 130-170 mm on vertical sliding wall rail

This CPU support is adjustable in width and height and is suitable for the majority of CPU's on the market.

It is coated with an anti-microbial agent offering hygiene and cleaning down to the last detail. Its modern design has been specially designed for healthcare environments.

Technical specifications:

* Optional Vertical Wall Rail Mounting, several lengths available (480 mm - 720 mm - 960 mm - 1200 mm).

These wall rails can be easily cut to the required size. All cables also pass through the wall rail.

* Optional mounting on worktop or floor or ceiling column, several heights of which are available:
 (300 mm - 500 mm - 1500 mm - 2000 mm)

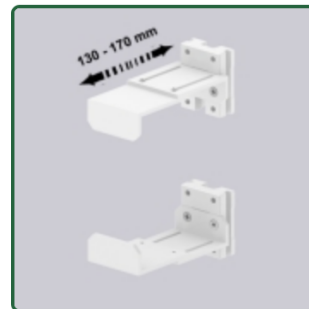
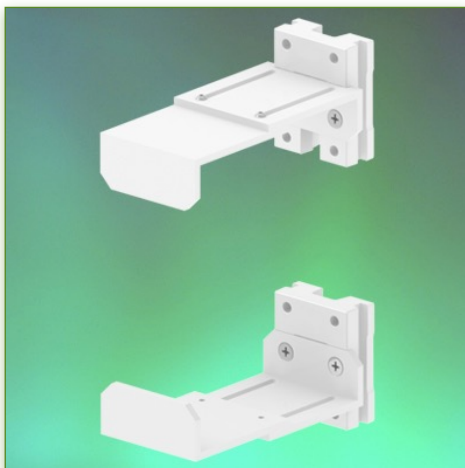
* Adjustable in height according to the length of the wall rail

* Adjustable width from 130 to 170 mm

* Colour RAL 7024 (Graphite grey)

* All our medical arms are in conformity:
 CE, ROHS, Medical Grade, Regulations MDD 93/42 ECC.

* Warranty: 5 years



CPU holder Adjustable
130-170 mm mounting on
Wall Rail

Part Number: 999.161



Medical Grade



Do not hesitate to contact us if you have any questions about this product.



Warranty: 5 years



000.999.161



Graphite Grey



On Measure



= Depending on the elements



999.161



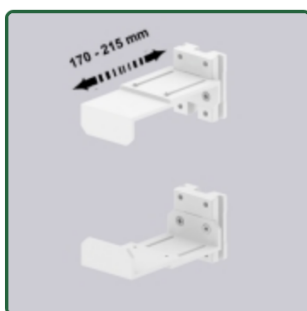
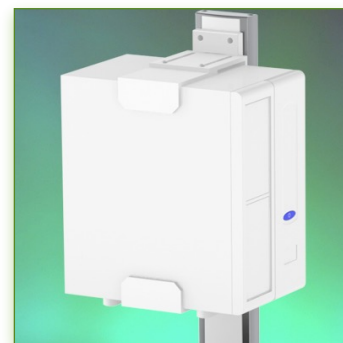
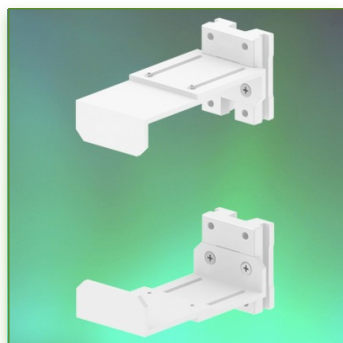
Anti-bacterial properties:

IT medical arms are now designed with Microban antibacterial protection, a revolutionary treatment that guarantees optimal hygiene. IT medical arms integrate Microban and other antibacterial agents into all medical products. It inhibits the growth of bacteria of all types. This is not a surface treatment.

It is 100% in the totality of the product.

It does not alter the physico-mechanical properties of the medical arm lift system. Simulations over 30 years show that 100% of the antibacterial properties are maintained.

All medical articulated arms incorporate Microban. Microban is the world's leading provider of anti-bacterial solutions. It has been successfully applied for more than 35 years in a wide range of products used in the hospital, construction and food industries.



CPU holder Adjustable
 170-215 mm mounting on
 Wall Rail

Part Number: 999.162



Do not hesitate to contact us if you have any questions about this product.



Warranty: 5 years



000.999.162



Graphite Grey



On Measure



= Depending on the elements



999.162

Adjustable CPU Holder 170-215 mm on vertical sliding wall rail

This CPU support is adjustable in width and height and is suitable for the majority of CPU's on the market.

It is coated with an anti-microbial agent offering hygiene and cleaning down to the last detail. Its modern design has been specially designed for healthcare environments.

Technical specifications:

* Optional Vertical Wall Rail Mounting, several lengths available (480 mm - 720 mm - 960 mm - 1200 mm).

These wall rails can be easily cut to the required size. All cables also pass through the wall rail.

* Optional mounting on worktop or floor or ceiling column, several heights of which are available:
 (300 mm - 500 mm - 1500 mm - 2000 mm)

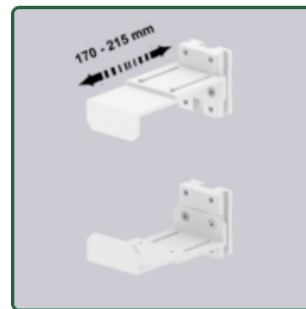
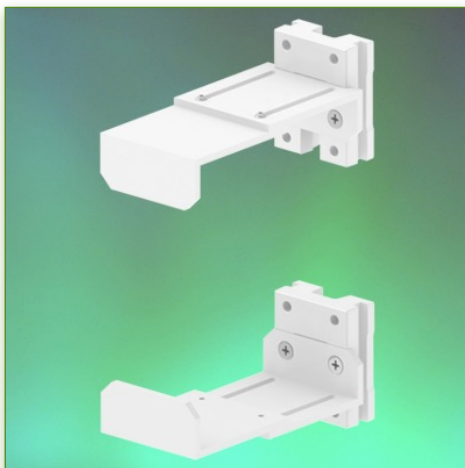
* Adjustable in height according to the length of the wall rail

* Adjustable width from 170 to 215 mm

* Colour RAL 7024 (Graphite grey)

* All our medical arms are in conformity:
 CE, ROHS, Medical Grade, Regulations MDD 93/42 ECC.

* Warranty: 5 years



CPU holder Adjustable
170-215 mm mounting on
Wall Rail

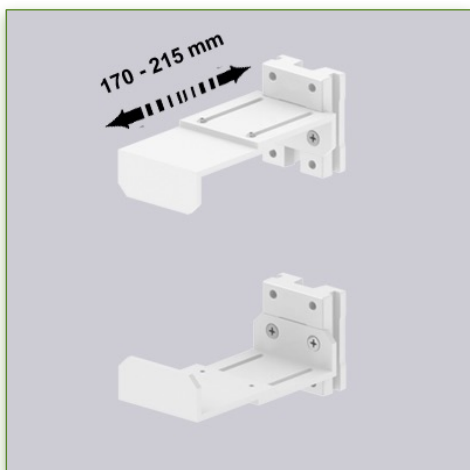
Part Number: 999.162



Medical Grade



Do not hesitate to contact us if you have any questions about this product.



Warranty: 5 years



000.999.162



Graphite Grey



On Measure



= Depending on the elements



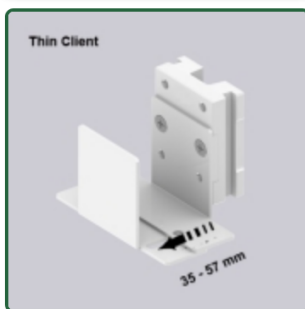
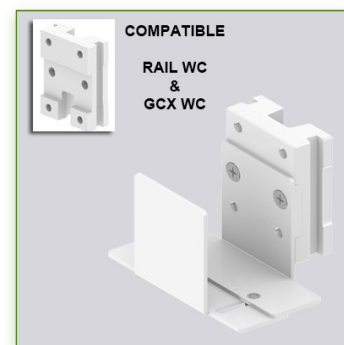
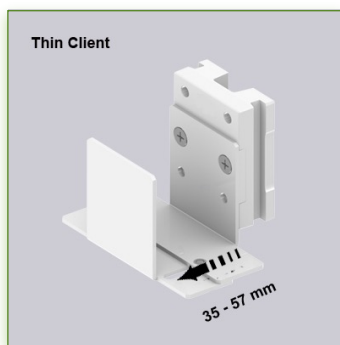
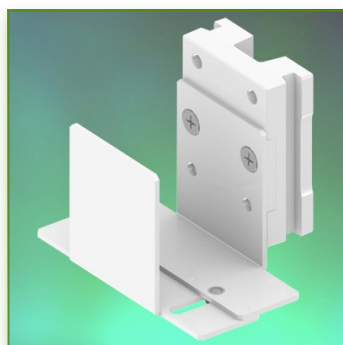
999.162

Anti-bacterial properties:

IT medical arms are now designed with Microban antibacterial protection, a revolutionary treatment that guarantees optimal hygiene. IT medical arms integrate Microban and other antibacterial agents into all medical products. It inhibits the growth of bacteria of all types. This is not a surface treatment.

It is 100% in the totality of the product. It does not alter the physico-mechanical properties of the medical arm lift system. Simulations over 30 years show that 100% of the antibacterial properties are maintained.

All medical articulated arms incorporate Microban. Microban is the world's leading provider of anti-bacterial solutions. It has been successfully applied for more than 35 years in a wide range of products used in the hospital, construction and food industries.



Universal Stand Adjustable
 35-57 mm mounting on Wall
 Rail
 Part Number: 999.163



Do not hesitate to contact us if you have any questions about this product.



Warranty: 5 years



000.999.163



Graphite Grey



On Measure



= Depending on the elements



999.163

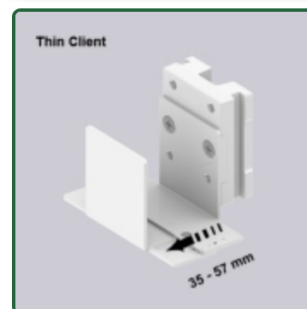
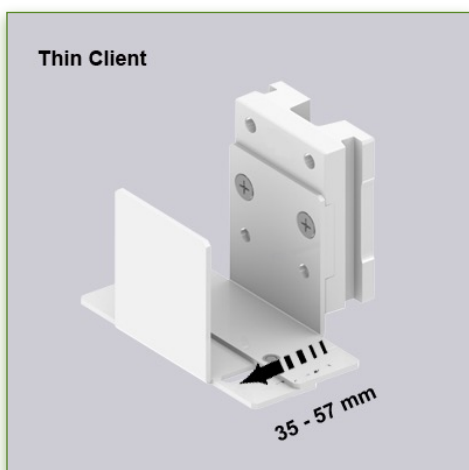
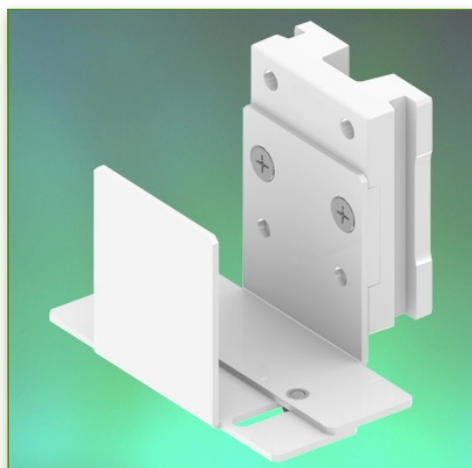
Adjustable 35-57 mm Universal Holder on vertical sliding wall rail

This universal adjustable width and height support is suitable for the majority of small machines on the market.

It is coated with an anti-microbial agent offering hygiene and cleaning down to the last detail. Its modern design has been specially designed for healthcare environments.

Technical specifications:

- * Optional Vertical Wall Rail Mounting, several lengths available (480 mm - 720 mm - 960 mm - 1200 mm).
- These wall rails can be easily cut to the required size. All cables also pass through the wall rail.
- * Optional mounting on worktop or floor or ceiling column, several heights of which are available: (300 mm - 500 mm - 1500 mm - 2000 mm)
- * Adjustable in height according to the length of the wall rail
- * Adjustable width from 35 to 57 mm
- * Colour RAL 7024 (Graphite grey)
- * All our medical arms are in conformity: CE, ROHS, Medical Grade, Regulations MDD 93/42 ECC.
- * Warranty: 5 years



Universal Stand Adjustable
35-57 mm mounting on Wall
Rail

Part Number: 999.163



Do not hesitate to contact us if you have any questions about this product.



Warranty: 5 years



000.999.163



Graphite Grey



On Measure



= Depending on the elements



999.163

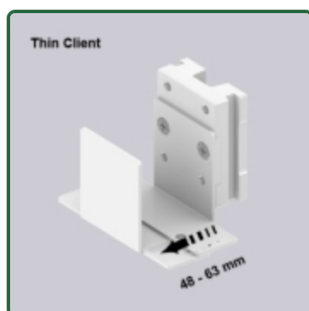
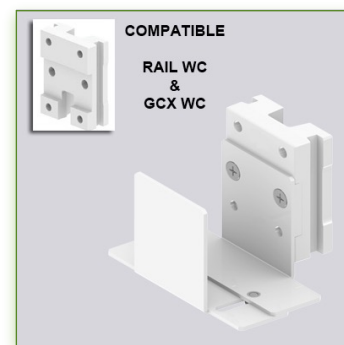
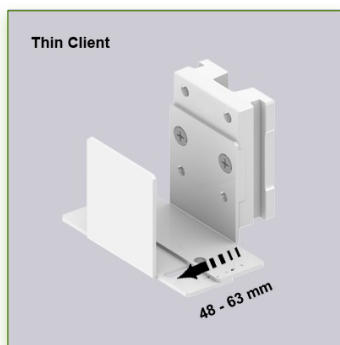
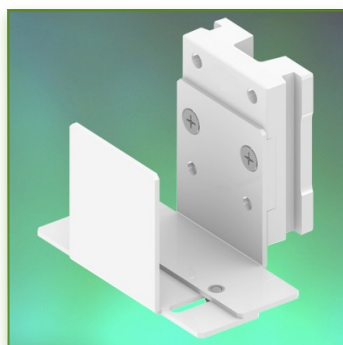
Anti-bacterial properties:

IT medical arms are now designed with Microban antibacterial protection, a revolutionary treatment that guarantees optimal hygiene. IT medical arms integrate Microban and other antibacterial agents into all medical products. It inhibits the growth of bacteria of all types. This is not a surface treatment.

It is 100% in the totality of the product.

It does not alter the physico-mechanical properties of the medical arm lift system. Simulations over 30 years show that 100% of the antibacterial properties are maintained.

All medical articulated arms incorporate Microban. Microban is the world's leading provider of anti-bacterial solutions. It has been successfully applied for more than 35 years in a wide range of products used in the hospital, construction and food industries.



Universal Stand Adjustable
48-63 mm mounting on Wall
Rail

Part Number: 999.164



Do not hesitate to contact us if you have any questions about this product.



Warranty: 5 years



000.999.164



Graphite Grey



On Measure



= Depending on the elements



999.164

Adjustable 48-63 mm Universal Holder on vertical sliding wall rail

This universal adjustable width and height support is suitable for the majority of small machines on the market.

It is coated with an anti-microbial agent offering hygiene and cleaning down to the last detail. Its modern design has been specially designed for healthcare environments.

Technical specifications:

* Optional Vertical Wall Rail Mounting, several lengths available (480 mm - 720 mm - 960 mm - 1200 mm).

These wall rails can be easily cut to the required size. All cables also pass through the wall rail.

* Optional mounting on worktop or floor or ceiling column, several heights of which are available:
(300 mm - 500 mm - 1500 mm - 2000 mm)

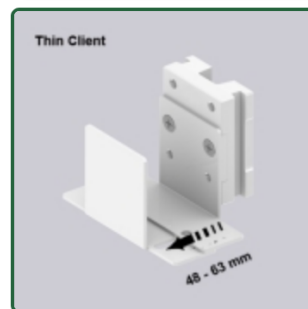
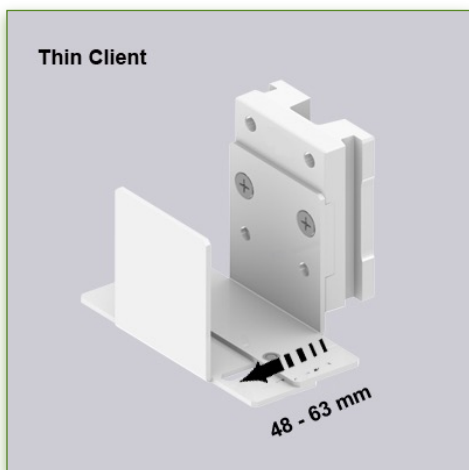
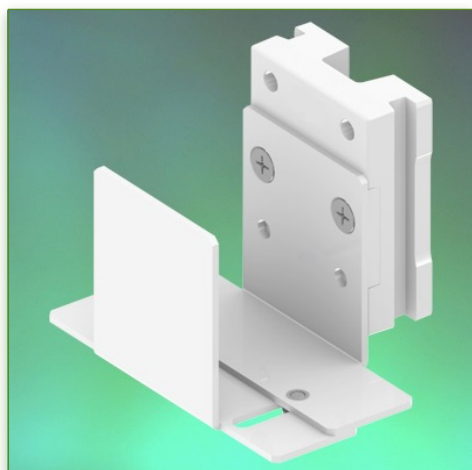
* Adjustable in height according to the length of the wall rail

* Adjustable width from 48 to 63 mm

* Colour RAL 7024 (Graphite grey)

* All our medical arms are in conformity:
CE, ROHS, Medical Grade, Regulations MDD 93/42 ECC.

* Warranty: 5 years



Universal Stand Adjustable
48-63 mm mounting on Wall
Rail

Part Number: 999.164



Medical Grade



Do not hesitate to contact us if you have any questions about this product.



Warranty: 5 years



000.999.164



Graphite Grey



On Measure



= Depending on the elements



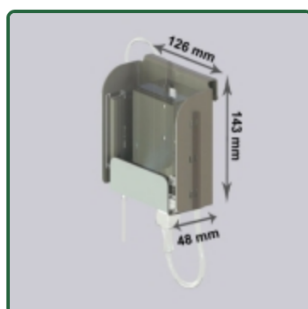
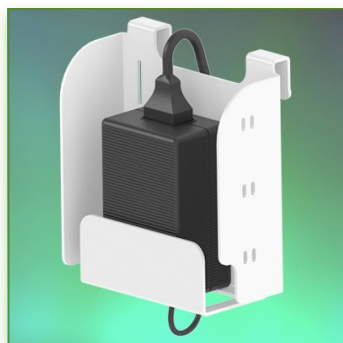
999.164

Anti-bacterial properties:

IT medical arms are now designed with Microban antibacterial protection, a revolutionary treatment that guarantees optimal hygiene. IT medical arms integrate Microban and other antibacterial agents into all medical products. It inhibits the growth of bacteria of all types. This is not a surface treatment.

It is 100% in the totality of the product. It does not alter the physico-mechanical properties of the medical arm lift system. Simulations over 30 years show that 100% of the antibacterial properties are maintained.

All medical articulated arms incorporate Microban. Microban is the world's leading provider of anti-bacterial solutions. It has been successfully applied for more than 35 years in a wide range of products used in the hospital, construction and food industries.



Power supply stand
Mounting on Wall Rail

Part Number: 999.165



Do not hesitate to contact us if you have any questions about this product.



Warranty: 5 years



000.999.165



Graphite Grey



On Measure



= Depending on the elements



999.165

Holder Power supply 126 x 143 48 mm Mounting on vertical sliding wall rail

Anodized aluminum power supply storage holder.

It is coated with an anti-microbial agent offering hygiene and cleaning down to the last detail. Its modern design has been specially designed for healthcare environments.

Technical specifications:

* Optional Vertical Wall Rail Mounting, several lengths available (480 mm - 720 mm - 960 mm - 1200 mm).

These wall rails can be easily cut to the required size. All cables also pass through the wall rail.

* Optional mounting on worktop or floor or ceiling column, several heights of which are available:
(300 mm - 500 mm - 1500 mm - 2000 mm)

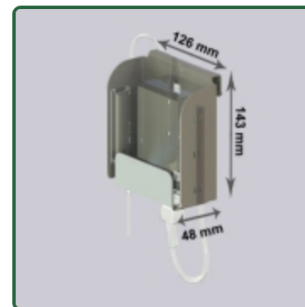
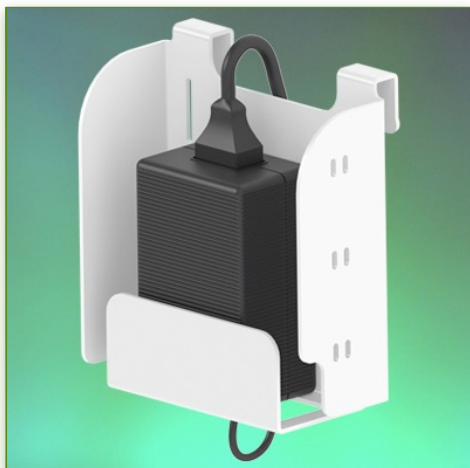
* Suitable for most power supplies on the market

* Dimensions: 143 x 126 x 48 mm

* Colour RAL 7024 (Graphite grey)

* All our medical arms are in conformity:
CE, ROHS, Medical Grade, Regulations MDD 93/42 ECC.

* Warranty: 5 years



Power supply stand
Mounting on Wall Rail

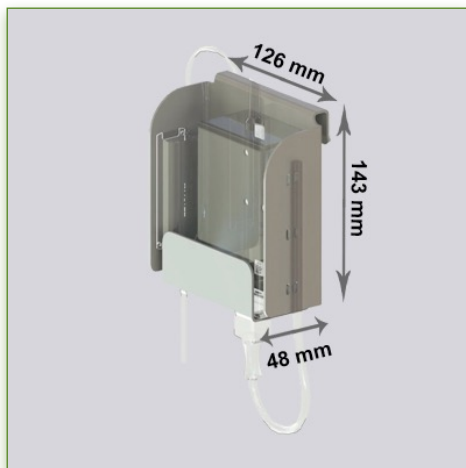
Part Number: 999.165



Medical Grade



Do not hesitate to contact us if you have any questions about this product.



Warranty: 5 years



000.999.165



Graphite Grey



On Measure



= Depending on the elements



999.165

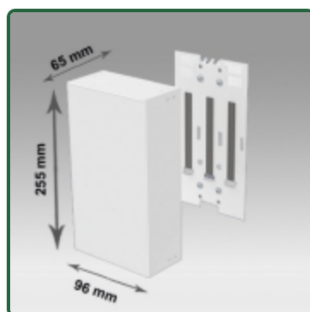
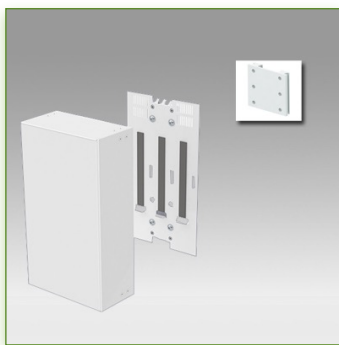
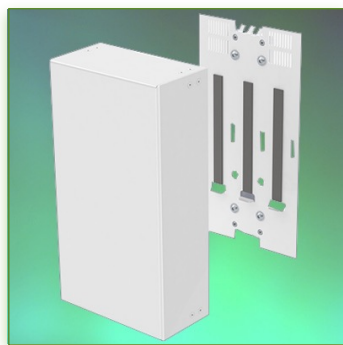
Anti-bacterial properties:

IT medical arms are now designed with Microban antibacterial protection, a revolutionary treatment that guarantees optimal hygiene. IT medical arms integrate Microban and other antibacterial agents into all medical products. It inhibits the growth of bacteria of all types. This is not a surface treatment.

It is 100% in the totality of the product.

It does not alter the physico-mechanical properties of the medical arm lift system. Simulations over 30 years show that 100% of the antibacterial properties are maintained.

All medical articulated arms incorporate Microban. Microban is the world's leading provider of anti-bacterial solutions. It has been successfully applied for more than 35 years in a wide range of products used in the hospital, construction and food industries.



Electrical power supply box
255 x 96 x 65 mm
Mounting on Wall Rail
Part Number: 999.166



Do not hesitate to contact us if you have any questions about this product.



Warranty: 5 years



000.999.166



Graphite Grey



On Measure



= Depending on the elements



999.166

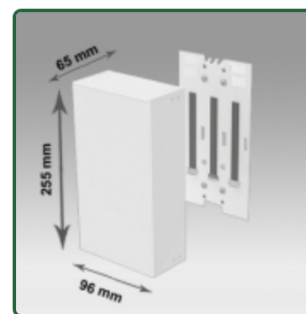
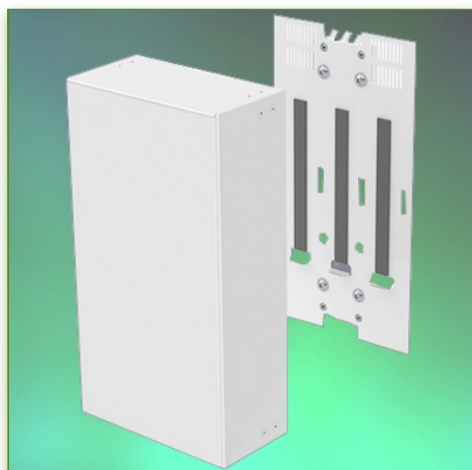
Power supply housing 255 x 96 x 65 mm Mounting on vertical sliding wall rail

Storage housing for power supply in anodised aluminium.

It is coated with an anti-microbial agent offering hygiene and cleaning down to the last detail. Its modern design has been specially designed for healthcare environments.

Technical specifications:

- * Optional Vertical Wall Rail Mounting, several lengths available (480 mm - 720 mm - 960 mm - 1200 mm). These wall rails can be easily cut to the required size. All cables also pass through the wall rail.
- * Optional mounting on worktop or floor or ceiling column, several heights of which are available: (300 mm - 500 mm - 1500 mm - 2000 mm)
- * Suitable for most power supplies on the market
- * Dimensions: 255 x 96 x 65 mm
- * Housing ventilated through ventilation holes to prevent overheating
- * Designed for one power supply
- * Colour RAL 7024 (Graphite grey)
- * All our medical arms are in conformity: CE, ROHS, Medical Grade, Regulations MDD 93/42 ECC.
- * Warranty: 5 years



Electrical power supply box
 255 x 96 x 65 mm
 Mounting on Wall Rail
 Part Number: 999.166



Medical Grade



Do not hesitate to contact us if you have any questions about this product.



Warranty: 5 years



000.999.166



Graphite Grey



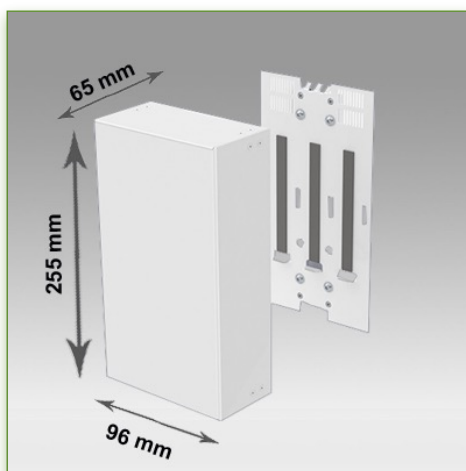
On Measure



= Depending on the elements



999.166



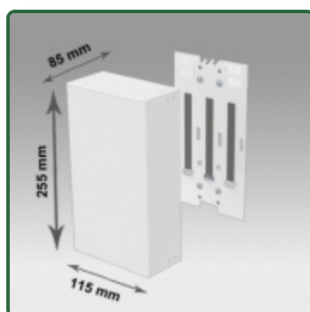
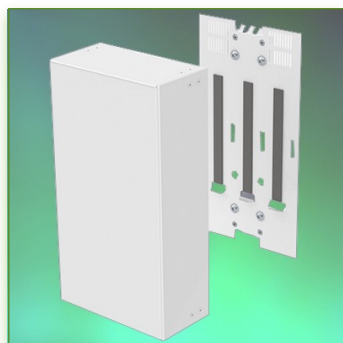
Anti-bacterial properties:

IT medical arms are now designed with Microban antibacterial protection, a revolutionary treatment that guarantees optimal hygiene. IT medical arms integrate Microban and other antibacterial agents into all medical products. It inhibits the growth of bacteria of all types. This is not a surface treatment.

It is 100% in the totality of the product.

It does not alter the physico-mechanical properties of the medical arm lift system. Simulations over 30 years show that 100% of the antibacterial properties are maintained.

All medical articulated arms incorporate Microban. Microban is the world's leading provider of anti-bacterial solutions. It has been successfully applied for more than 35 years in a wide range of products used in the hospital, construction and food industries.



Electrical power supply box
255 x 115 x 85 mm
Mounting on Wall Rail
Part Number: 999.167



Do not hesitate to contact us if you have any questions about this product.



Warranty: 5 years



000.999.167



Graphite Grey



On Measure



= Depending on the elements



999.167

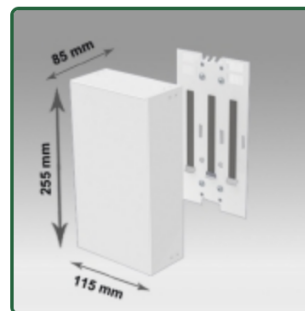
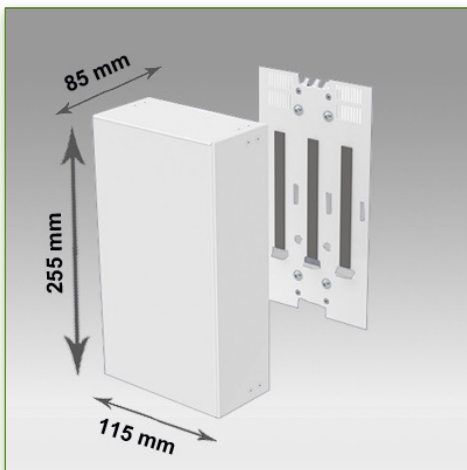
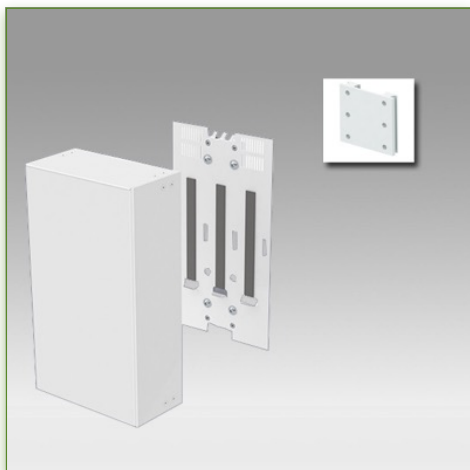
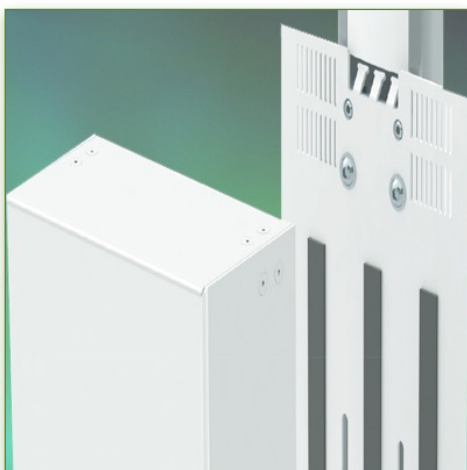
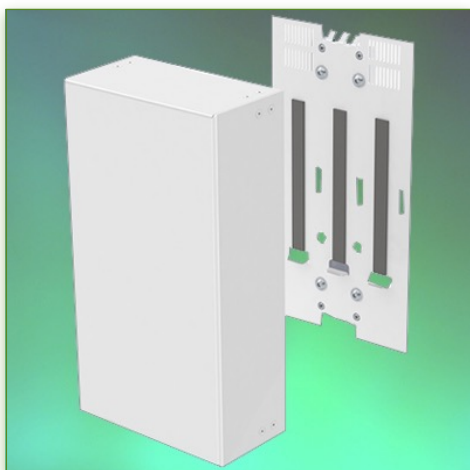
Power supply housing 255 x 115 x 85 mm Mounting on vertical sliding wall rail

Storage housing for power supply in anodised aluminium.

It is coated with an anti-microbial agent offering hygiene and cleaning down to the last detail. Its modern design has been specially designed for healthcare environments.

Technical specifications:

- * Optional Vertical Wall Rail Mounting, several lengths available (480 mm - 720 mm - 960 mm - 1200 mm). These wall rails can be easily cut to the required size. All cables also pass through the wall rail.
- * Optional mounting on worktop or floor or ceiling column, several heights of which are available: (300 mm - 500 mm - 1500 mm - 2000 mm)
- * Suitable for most power supplies on the market
- * Dimensions: 255 x 115 x 85 mm
- * Housing ventilated through ventilation holes to prevent overheating
- * Designed for one power supply
- * Colour RAL 7024 (Graphite grey)
- * All our medical arms are in conformity: CE, ROHS, Medical Grade, Regulations MDD 93/42 ECC.
- * Warranty: 5 years



Electrical power supply box
255 x 115 x 85 mm
Mounting on Wall Rail
Part Number: 999.167



Medical Grade



Do not hesitate to contact us if you have any questions about this product.



Warranty: 5 years



000.999.167



Graphite Grey



On Measure



= Depending on the elements



999.167

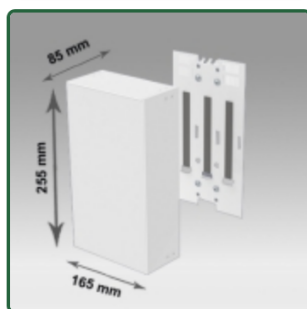
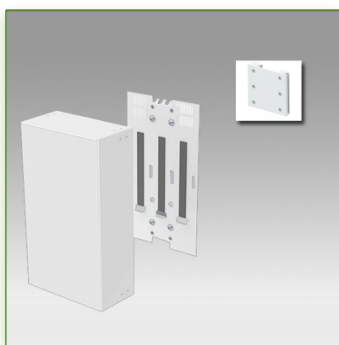
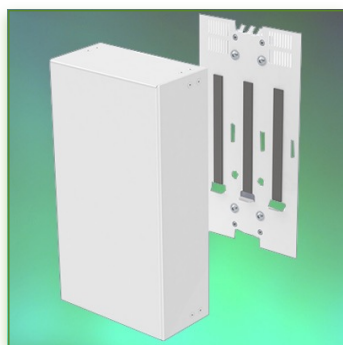
Anti-bacterial properties:

IT medical arms are now designed with Microban antibacterial protection, a revolutionary treatment that guarantees optimal hygiene. IT medical arms integrate Microban and other antibacterial agents into all medical products. It inhibits the growth of bacteria of all types. This is not a surface treatment.

It is 100% in the totality of the product.

It does not alter the physico-mechanical properties of the medical arm lift system. Simulations over 30 years show that 100% of the antibacterial properties are maintained.

All medical articulated arms incorporate Microban. Microban is the world's leading provider of anti-bacterial solutions. It has been successfully applied for more than 35 years in a wide range of products used in the hospital, construction and food industries.



Electrical power supply box
255 x 165 x 85 mm
Mounting on Wall Rail
Part Number: 999.168



Do not hesitate to contact us if you have any questions about this product.



Warranty: 5 years



000.999.168



Graphite Grey



On Measure



= Depending on the elements



999.168

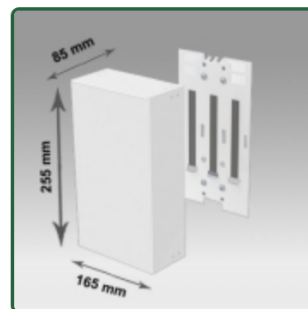
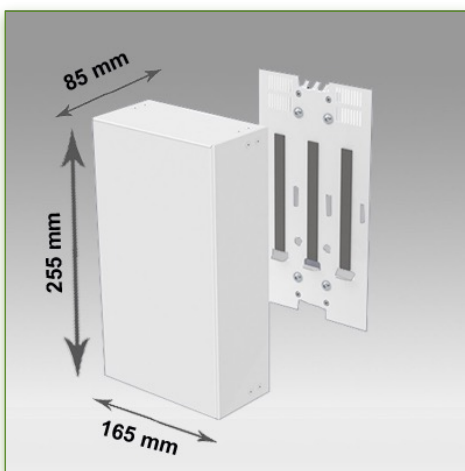
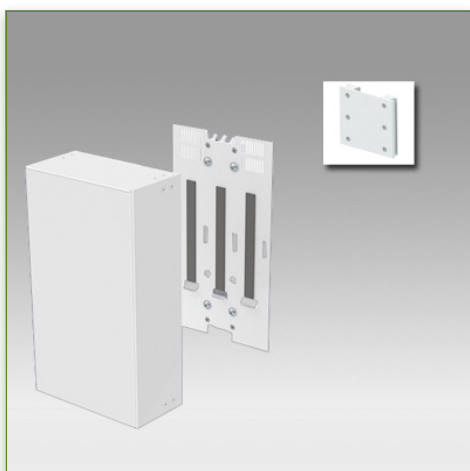
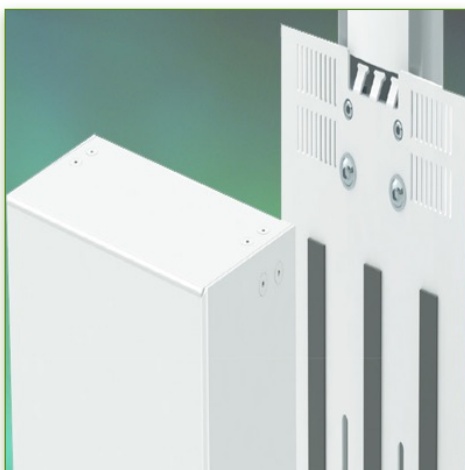
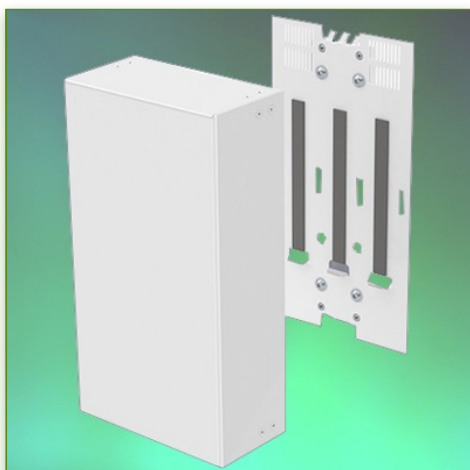
Power supply housing 255 x 165 x 85 mm Mounting on vertical sliding wall rail

Storage housing for power supply in anodised aluminium.

It is coated with an anti-microbial agent offering hygiene and cleaning down to the last detail. Its modern design has been specially designed for healthcare environments.

Technical specifications:

- * Optional Vertical Wall Rail Mounting, several lengths available (480 mm - 720 mm - 960 mm - 1200 mm). These wall rails can be easily cut to the required size. All cables also pass through the wall rail.
- * Optional mounting on worktop or floor or ceiling column, several heights of which are available: (300 mm - 500 mm - 1500 mm - 2000 mm)
- * Suitable for most power supplies on the market
- * Dimensions: 255 x 165 x 85 mm
- * Housing ventilated through ventilation holes to prevent overheating
- * Designed for one power supply
- * Colour RAL 7024 (Graphite grey)
- * All our medical arms are in conformity: CE, ROHS, Medical Grade, Regulations MDD 93/42 ECC.
- * Warranty: 5 years



Electrical power supply box
255 x 165 x 85 mm
Mounting on Wall Rail
Part Number: 999.168



Medical Grade



Do not hesitate to contact us if you have any questions about this product.



Warranty: 5 years



000.999.168



Graphite Grey



On Measure



= Depending on the elements



999.168

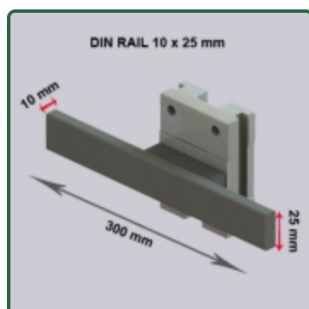
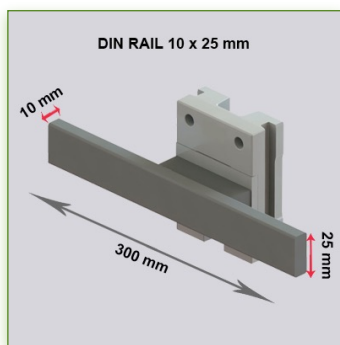
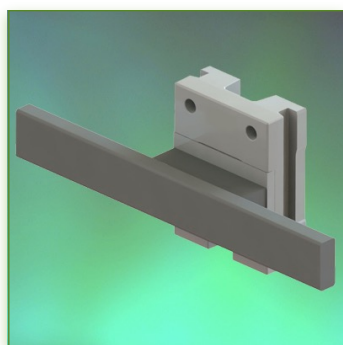
Anti-bacterial properties:

IT medical arms are now designed with Microban antibacterial protection, a revolutionary treatment that guarantees optimal hygiene. IT medical arms integrate Microban and other antibacterial agents into all medical products. It inhibits the growth of bacteria of all types. This is not a surface treatment.

It is 100% in the totality of the product.

It does not alter the physico-mechanical properties of the medical arm lift system. Simulations over 30 years show that 100% of the antibacterial properties are maintained.

All medical articulated arms incorporate Microban. Microban is the world's leading provider of anti-bacterial solutions. It has been successfully applied for more than 35 years in a wide range of products used in the hospital, construction and food industries.



Din Rail 10 x 25 mm.
Length of 300 mm
Mounting on Wall Rail
Référence: 999.169



Do not hesitate to contact us if you have any questions about this product.



Warranty: 5 years



000.999.169



Graphite Grey



On Measure



= Depending on the elements



999.169

Din Rail adapter 10 x 25 mm. Length 300 mm Mounting on vertical sliding wall rail

This Din Rail Horizontal adapter allows the attachment of all medical accessories with the Din Rail 10 x 25 mm interface. Ideal complement when no Din Rails are available or absent to add other elements. It is coated with an anti-microbial agent offering hygiene and cleaning down to the last detail. Its modern design has been specially designed for healthcare environments.

Technical specifications:

* Optional Vertical Wall Rail Mounting, several lengths available (480 mm - 720 mm - 960 mm - 1200 mm).

These wall rails can be easily cut to the required size. All cables also pass through the wall rail.

* Optional mounting on worktop or floor or ceiling column, several heights of which are available:
(300 mm - 500 mm - 1500 mm - 2000 mm)

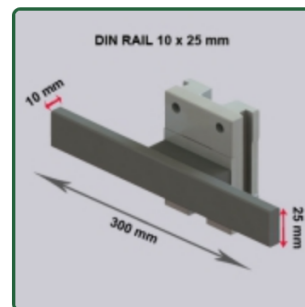
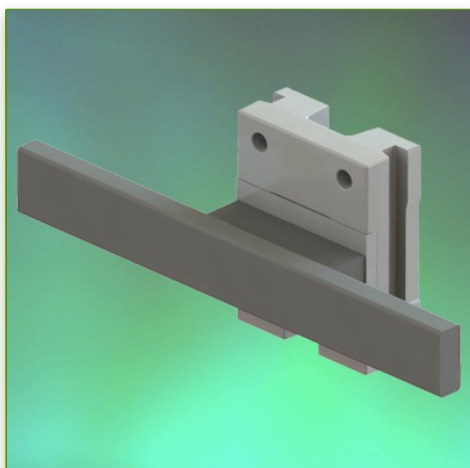
* Length 300 mm

* Din Rail 10 x 25 mm

* Colour RAL 7024 (Graphite grey)

* All our medical arms are in conformity:
CE, ROHS, Medical Grade, Regulations MDD 93/42 ECC.

* Warranty: 5 years



Din Rail 10 x 25 mm.
Length of 300 mm
Mounting on Wall Rail
Référence: 999.169



Do not hesitate to contact us if you have any questions about this product.

Warranty: 5 years

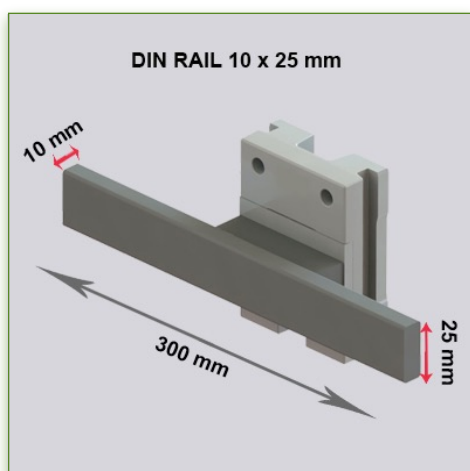
000.999.169

Graphite Grey

On Measure

= Depending on the elements

999.169

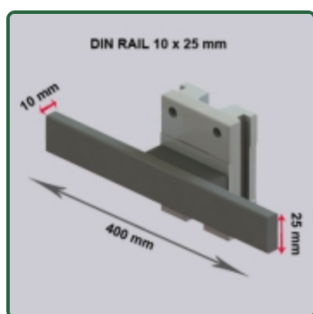
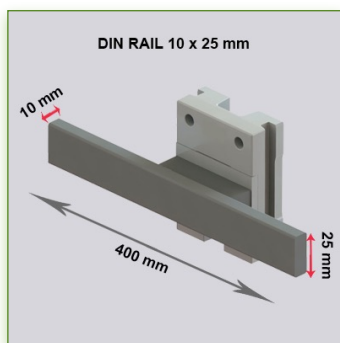
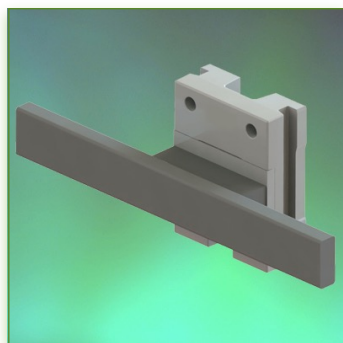


Anti-bacterial properties:

IT medical arms are now designed with Microban antibacterial protection, a revolutionary treatment that guarantees optimal hygiene. IT medical arms integrate Microban and other antibacterial agents into all medical products. It inhibits the growth of bacteria of all types. This is not a surface treatment.

It is 100% in the totality of the product. It does not alter the physico-mechanical properties of the medical arm lift system. Simulations over 30 years show that 100% of the antibacterial properties are maintained.

All medical articulated arms incorporate Microban. Microban is the world's leading provider of anti-bacterial solutions. It has been successfully applied for more than 35 years in a wide range of products used in the hospital, construction and food industries.



Din Rail 10 x 25 mm.
Length of 400 mm
Mounting on Wall Rail
Référence: 999.170



Do not hesitate to contact us if you have any questions about this product.



Warranty: 5 years



000.999.170



Graphite Grey



On Measure



= Depending on the elements



999.170

Din Rail adapter 10 x 25 mm. Length 400 mm Mounting on vertical sliding wall rail

This Din Rail Horizontal adapter allows the attachment of all medical accessories with the Din Rail 10 x 25 mm interface. Ideal complement when no Din Rails are available or absent to add other elements. It is coated with an anti-microbial agent offering hygiene and cleaning down to the last detail. Its modern design has been specially designed for healthcare environments.

Technical specifications:

* Optional Vertical Wall Rail Mounting, several lengths available (480 mm - 720 mm - 960 mm - 1200 mm).

These wall rails can be easily cut to the required size. All cables also pass through the wall rail.

* Optional mounting on worktop or floor or ceiling column, several heights of which are available:
(300 mm - 500 mm - 1500 mm - 2000 mm)

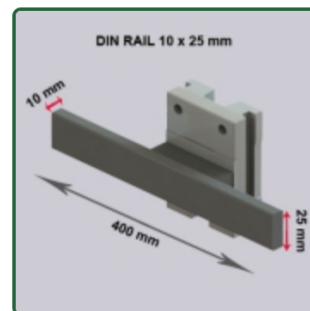
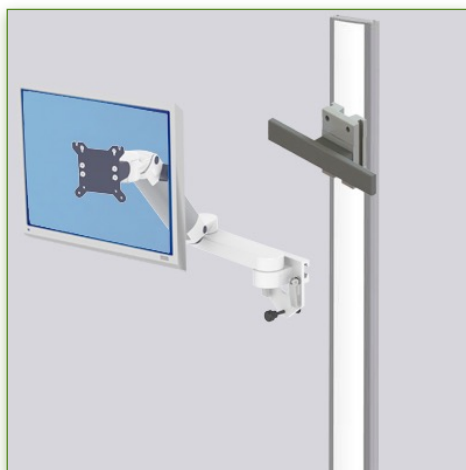
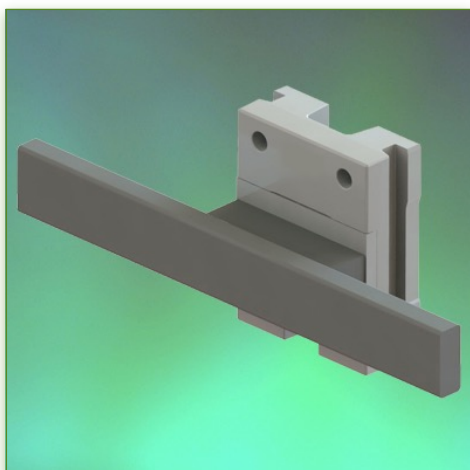
* Length 400 mm

* Din Rail 10 x 25 mm

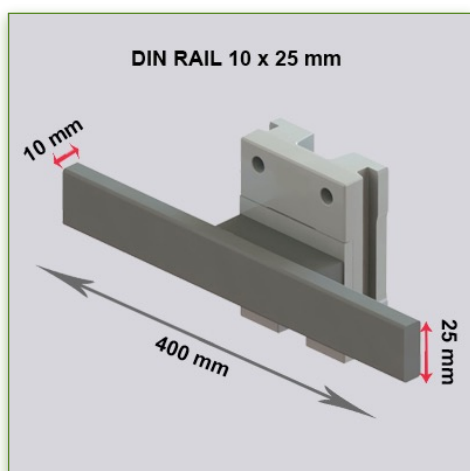
* Colour RAL 7024 (Graphite grey)

* All our medical arms are in conformity:
CE, ROHS, Medical Grade, Regulations MDD 93/42 ECC.

* Warranty: 5 years



Din Rail 10 x 25 mm.
Length of 400 mm
Mounting on Wall Rail
Référence: 999.170



Do not hesitate to contact us if you have any questions about this product.

Warranty: 5 years

000.999.170

Graphite Grey

On Measure

= Depending on the elements

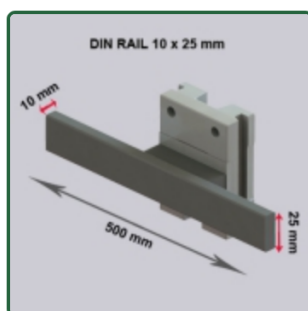
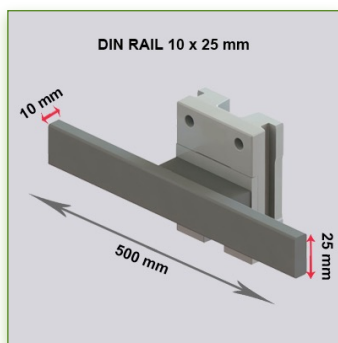
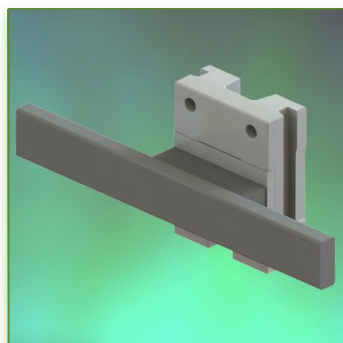
999.170

Anti-bacterial properties:

IT medical arms are now designed with Microban antibacterial protection, a revolutionary treatment that guarantees optimal hygiene. IT medical arms integrate Microban and other antibacterial agents into all medical products. It inhibits the growth of bacteria of all types. This is not a surface treatment.

It is 100% in the totality of the product. It does not alter the physico-mechanical properties of the medical arm lift system. Simulations over 30 years show that 100% of the antibacterial properties are maintained.

All medical articulated arms incorporate Microban. Microban is the world's leading provider of anti-bacterial solutions. It has been successfully applied for more than 35 years in a wide range of products used in the hospital, construction and food industries.



Din Rail 10 x 25 mm.
Length of 500 mm
Mounting on Wall Rail
Référence: 999.171



Do not hesitate to contact us if you have any questions about this product.



Warranty: 5 years



000.999.171



Gris graphite



On Measure



= Depending on the elements



999.171

Din Rail adapter 10 x 25 mm. Length 500 mm Mounting on vertical sliding wall rail

This Din Rail Horizontal adapter allows the attachment of all medical accessories with the Din Rail 10 x 25 mm interface. Ideal complement when no Din Rails are available or absent to add other elements. It is coated with an anti-microbial agent offering hygiene and cleaning down to the last detail. Its modern design has been specially designed for healthcare environments.

Technical specifications:

* Optional Vertical Wall Rail Mounting, several lengths available (480 mm - 720 mm - 960 mm - 1200 mm).

These wall rails can be easily cut to the required size. All cables also pass through the wall rail.

* Optional mounting on worktop or floor or ceiling column, several heights of which are available:
(300 mm - 500 mm - 1500 mm - 2000 mm)

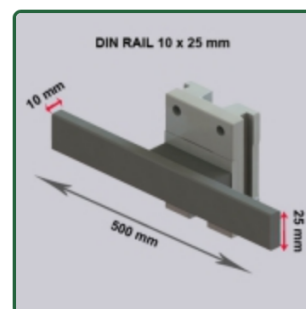
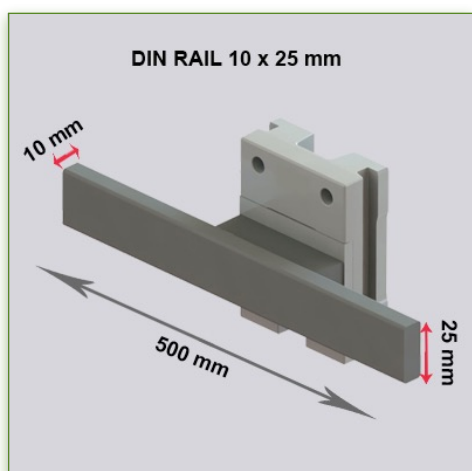
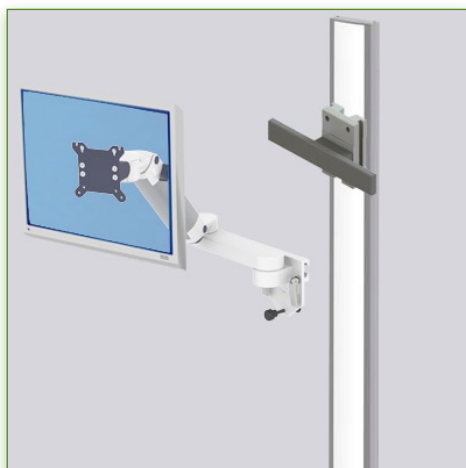
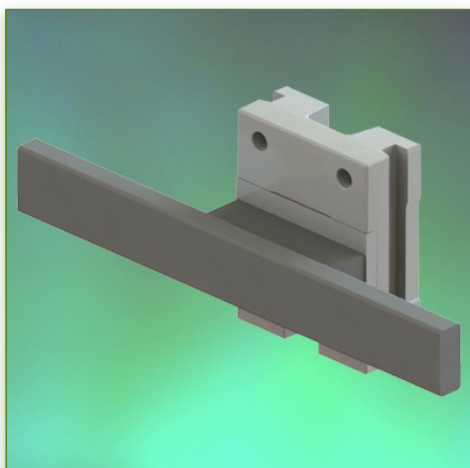
* Length 500 mm

* Din Rail 10 x 25 mm

* Colour RAL 7024 (Graphite grey)

* All our medical arms are in conformity:
CE, ROHS, Medical Grade, Regulations MDD 93/42 ECC.

* Warranty: 5 years



Din Rail 10 x 25 mm.
Length of 500 mm
Mounting on Wall Rail
Référence: 999.171



Do not hesitate to contact us if you have any questions about this product.

Warranty: 5 years

000.999.171

Gris graphite

On Measure

= Depending on the elements

999.171

Anti-bacterial properties:

IT medical arms are now designed with Microban antibacterial protection, a revolutionary treatment that guarantees optimal hygiene. IT medical arms integrate Microban and other antibacterial agents into all medical products. It inhibits the growth of bacteria of all types. This is not a surface treatment.

It is 100% in the totality of the product. It does not alter the physico-mechanical properties of the medical arm lift system. Simulations over 30 years show that 100% of the antibacterial properties are maintained.

All medical articulated arms incorporate Microban. Microban is the world's leading provider of anti-bacterial solutions. It has been successfully applied for more than 35 years in a wide range of products used in the hospital, construction and food industries.



Holder for 1 Bottle of Medical Gas
Mounting on Wall Rail
Référence: 999.172



Do not hesitate to contact us if you have any questions about this product.



Warranty: 5 years



000.999.172



Graphite Grey



On Measure



= Depending on the elements



999.172

Holder for 1 Bottle of Medical Gas Mounted on vertical wall rail

This holder is specifically designed for standardised medical gas bottles in hospitals. For the safe installation of pressurized gas bottles It is coated with an anti-microbial agent offering hygiene and cleaning down to the last detail. Its modern design has been specially designed for healthcare environments.

Technical specifications:

- * Optional Vertical Wall Rail Mounting, several lengths available (480 mm - 720 mm - 960 mm - 1200 mm). These wall rails can be easily cut to the required size. All cables also pass through the wall rail.
- * Optional mounting on worktop or floor or ceiling column, several heights of which are available: (300 mm - 500 mm - 1500 mm - 2000 mm)
- * Safely holds the bottle in an upright position
- * Priming and defusing, gas bottle with safety clips
- * Securely stows bottles while providing ease of use for the user when changing bottles.
- * Suitable for one gas bottle
- * Colour RAL 7024 (Graphite grey)
- * All our medical arms are in conformity: CE, ROHS, Medical Grade, Regulations MDD 93/42 ECC.
- * Warranty: 5 years



Holder for 1 Bottle of Medical Gas
Mounting on Wall Rail
Référence: 999.172



Medical Grade



Do not hesitate to contact us if you have any questions about this product.



Warranty: 5 years



000.999.172



Graphite Grey



On Measure



= Depending on the elements



999.172

Anti-bacterial properties:

IT medical arms are now designed with Microban antibacterial protection, a revolutionary treatment that guarantees optimal hygiene. IT medical arms integrate Microban and other antibacterial agents into all medical products. It inhibits the growth of bacteria of all types. This is not a surface treatment.


It is 100% in the totality of the product.

It does not alter the physico-mechanical properties of the medical arm lift system. Simulations over 30 years show that 100% of the antibacterial properties are maintained.


All medical articulated arms incorporate Microban. Microban is the world's leading provider of anti-bacterial solutions. It has been successfully applied for more than 35 years in a wide range of products used in the hospital, construction and food industries.



Holder for 2 Medical Gas Bottles
 Mounting on Wall Rail
 Part Number: 999.173

 Do not hesitate to contact us if you have any questions about this product.

 **Warranty: 5 years**

 000.999.173

 Graphite Grey

 On Measure

 = Depending on the elements

 999.173

Holder for 2 Bottles of Medical Gas Mounted on vertical wall rail

This holder is specifically designed for standardised medical gas bottles in hospitals. For the safe installation of pressurized gas bottles It is coated with an anti-microbial agent offering hygiene and cleaning down to the last detail. Its modern design has been specially designed for healthcare environments.

Technical specifications:

- * Optional Vertical Wall Rail Mounting, several lengths available (480 mm - 720 mm - 960 mm - 1200 mm). These wall rails can be easily cut to the required size. All cables also pass through the wall rail.
- * Optional mounting on worktop or floor or ceiling column, several heights of which are available: (300 mm - 500 mm - 1500 mm - 2000 mm)
- * Safely holds the bottle in an upright position
- * Priming and defusing, gas bottle with safety clips
- * Securely stows bottles while providing ease of use for the user when changing bottles.
- * Suitable for two gas bottles
- * Colour RAL 7024 (Graphite grey)
- * All our medical arms are in conformity: CE, ROHS, Medical Grade, Regulations MDD 93/42 ECC.
- * Warranty: 5 years



Holder for 2 Medical Gas
Bottles
Mounting on Wall Rail
Part Number: 999.173



Medical Grade



Do not hesitate to contact us if you have any questions about this product.



Warranty: 5 years



000.999.173



Graphite Grey



On Measure



= Depending on the elements



999.173

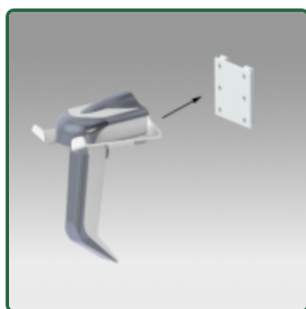
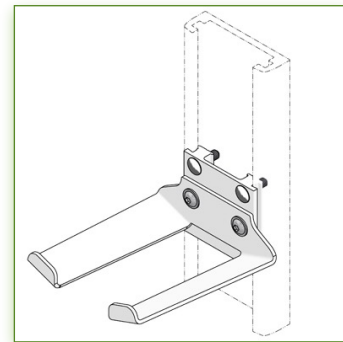
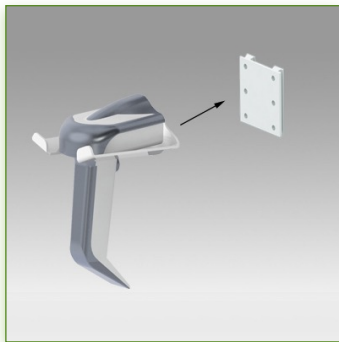
Anti-bacterial properties:

IT medical arms are now designed with Microban antibacterial protection, a revolutionary treatment that guarantees optimal hygiene. IT medical arms integrate Microban and other antibacterial agents into all medical products. It inhibits the growth of bacteria of all types. This is not a surface treatment.

It is 100% in the totality of the product.

It does not alter the physico-mechanical properties of the medical arm lift system. Simulations over 30 years show that 100% of the antibacterial properties are maintained.

All medical articulated arms incorporate Microban. Microban is the world's leading provider of anti-bacterial solutions. It has been successfully applied for more than 35 years in a wide range of products used in the hospital, construction and food industries.



Holder for barcode hand shower
 Mounting on Wall Rail
 Part Number: 999.174



Do not hesitate to contact us if you have any questions about this product.



Warranty: 5 years



000.999.174



Graphite Grey and White



On Measure



= Depending on the elements



999.174

Universal Hand Shower Barcode Holder Wall Mount

Universal barcode hand shower holder ideal for keeping the hand shower close to the medical facility. This 13.5 x 10.31 x 6 cm barcode reader holder can be attached along the vertical wall rail

This rugged barcode scanner stand is the perfect storage or scanning application.

Color: Graphite Grey and White

Technical specifications:

* Optional Vertical Wall Rail Mounting, several lengths available (480 mm - 720 mm - 960 mm - 1200 mm).

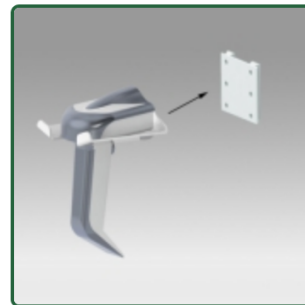
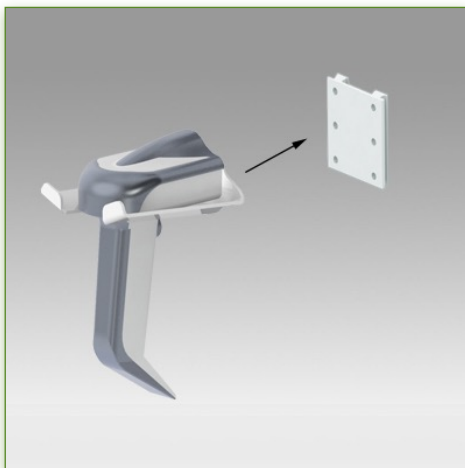
These wall rails can be easily cut to the required size. All cables also pass through the wall rail.

* Optional mounting on worktop or floor or ceiling column, several heights of which are available: (300 mm - 500 mm - 1500 mm - 2000 mm)

* Keeps the hand shower safe

* All our medical arms are in conformity: CE, ROHS, Medical Grade, Regulations MDD 93/42 ECC.

* Warranty: 5 years



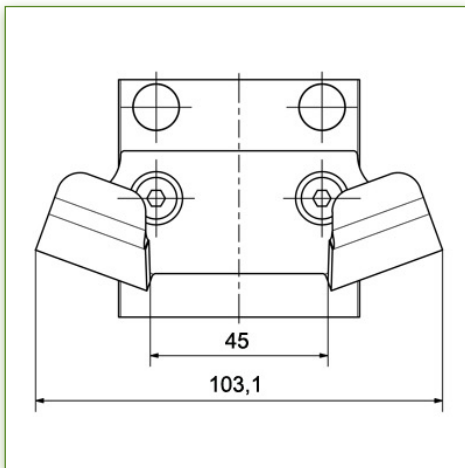
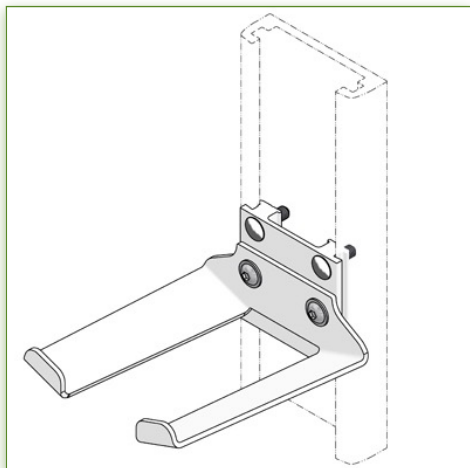
Holder for barcode hand shower
 Mounting on Wall Rail
 Part Number: 999.174



Medical Grade



Do not hesitate to contact us if you have any questions about this product.



Warranty: 5 years



000.999.174



Graphite Grey and White



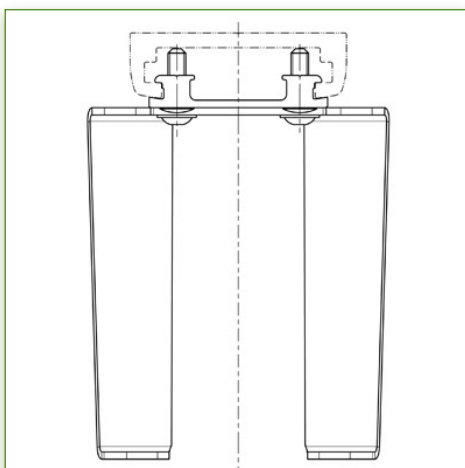
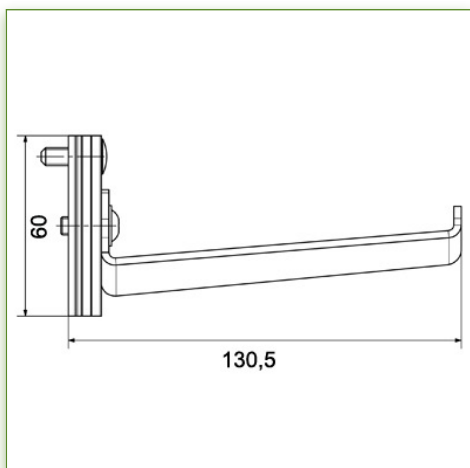
On Measure



= Depending on the elements



999.174

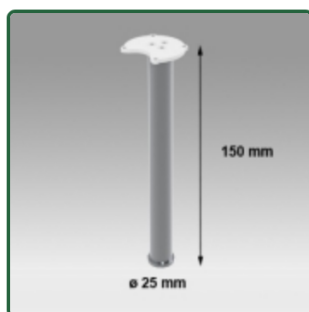
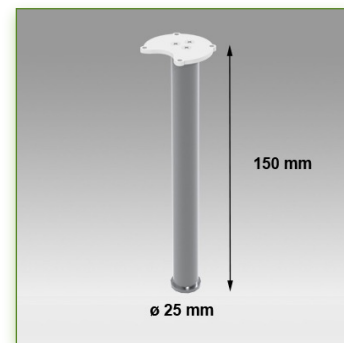
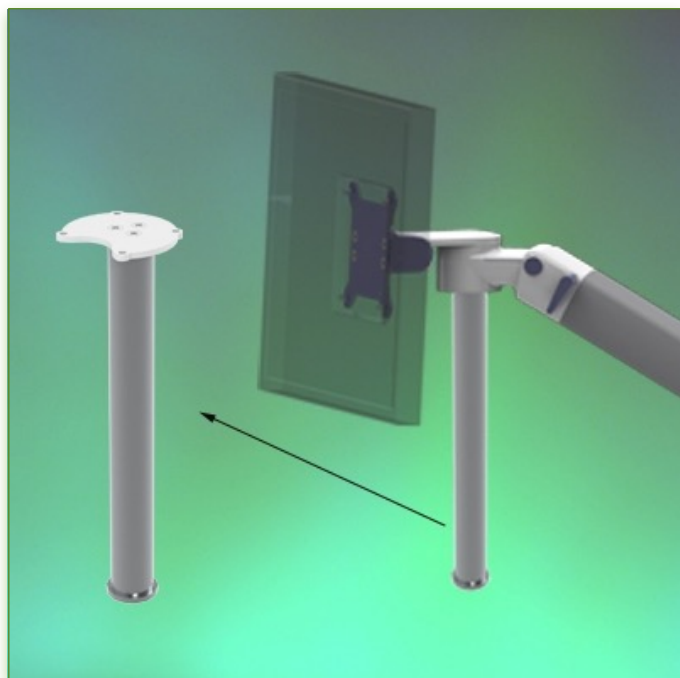


Anti-bacterial properties:

IT medical arms are now designed with Microban antibacterial protection, a revolutionary treatment that guarantees optimal hygiene. IT medical arms integrate Microban and other antibacterial agents into all medical products. It inhibits the growth of bacteria of all types. This is not a surface treatment.

It is 100% in the totality of the product. It does not alter the physico-mechanical properties of the medical arm lift system. Simulations over 30 years show that 100% of the antibacterial properties are maintained.

All medical articulated arms incorporate Microban. Microban is the world's leading provider of anti-bacterial solutions. It has been successfully applied for more than 35 years in a wide range of products used in the hospital, construction and food industries.



15 cm bottom pole for height adjustable monitor arms

Part Number: 988.102



Do not hesitate to contact us if you have any questions about this product.



Warranty: 5 years



000.988.102



Graphite Grey and White



On Measure



= Depending on the elements



988.102

15 cm bottom pole for height adjustable monitor arm

To be mounted under the medical arms with height adjustment

This lower pole of 150 mm comes to be fixed under the arms adjustable in height for screen allowing to fix complementary accessories on the pole.

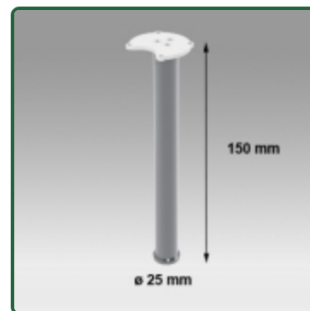
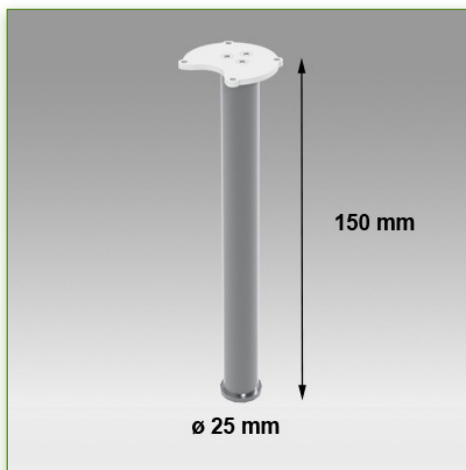
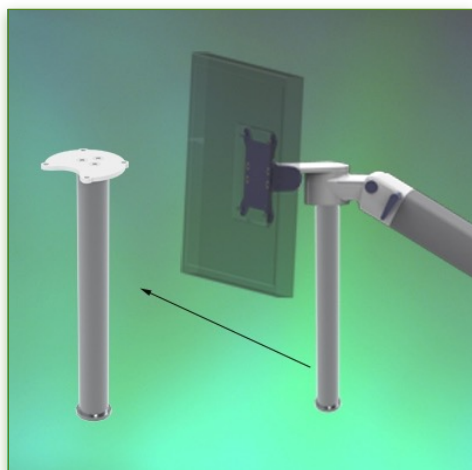
Ideal complement when no more spaces are available or even absent.

The diameter of this pole is 25 mm and allows to fix all our accessories equipped with the interface of fixing on tube of 25 mm. (mounting ring)

It is coated with an anti-microbial agent offering hygiene and cleaning down to the last detail. Its modern design has been specially designed for healthcare environments.

Technical specifications:

- * Pole length: 150 mm
- * Mounting under the swivel arms with height adjustment for screen
- * Colour RAL 7024 (Graphite grey)
- * All our medical arms are in conformity: CE, ROHS, Medical Grade, Regulations MDD 93/42 ECC.
- * Warranty: 5 years



15 cm bottom pole for height adjustable monitor arms

Part Number: 988.102



Medical Grade



Do not hesitate to contact us if you have any questions about this product.



Warranty: 5 years



000.988.102



Graphite Grey and White



On Measure



= Depending on the elements



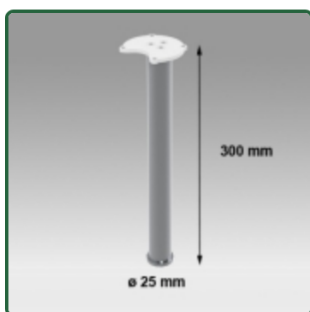
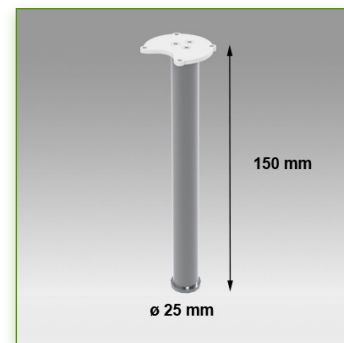
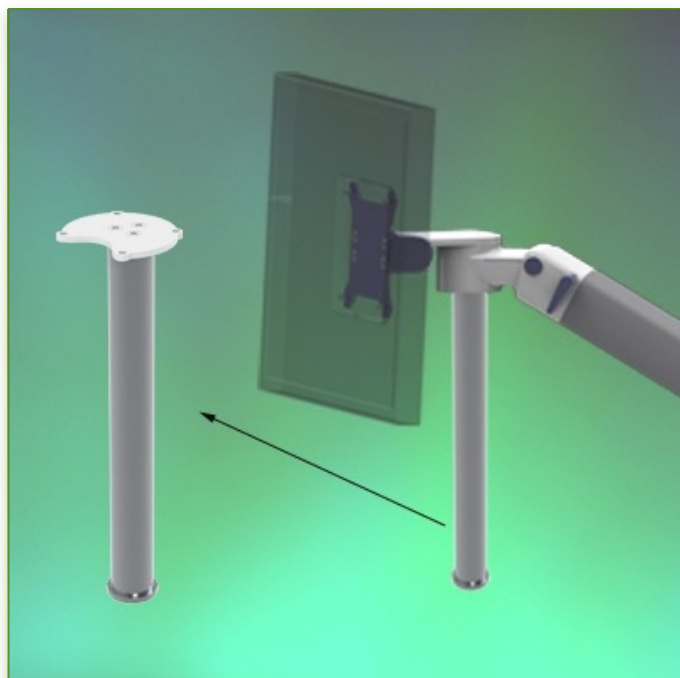
988.102

Anti-bacterial properties:

IT medical arms are now designed with Microban antibacterial protection, a revolutionary treatment that guarantees optimal hygiene. IT medical arms integrate Microban and other antibacterial agents into all medical products. It inhibits the growth of bacteria of all types. This is not a surface treatment.

It is 100% in the totality of the product. It does not alter the physico-mechanical properties of the medical arm lift system. Simulations over 30 years show that 100% of the antibacterial properties are maintained.

All medical articulated arms incorporate Microban. Microban is the world's leading provider of anti-bacterial solutions. It has been successfully applied for more than 35 years in a wide range of products used in the hospital, construction and food industries.



30 cm bottom pole for height adjustable monitor arms

Part Number: 988.103



Do not hesitate to contact us if you have any questions about this product.



Warranty: 5 years



000.988.103



Graphite Grey and White



On Measure



= Depending on the elements



988.103

30 cm bottom pole for height adjustable monitor arm

To be mounted under the medical arms with height adjustment

This lower pole of 150 mm comes to be fixed under the arms adjustable in height for screen allowing to fix complementary accessories on the pole.

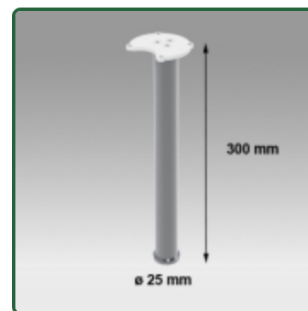
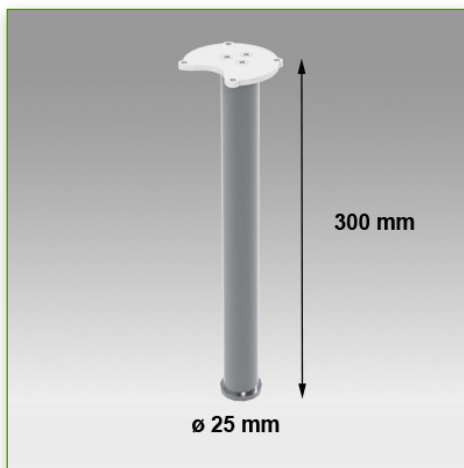
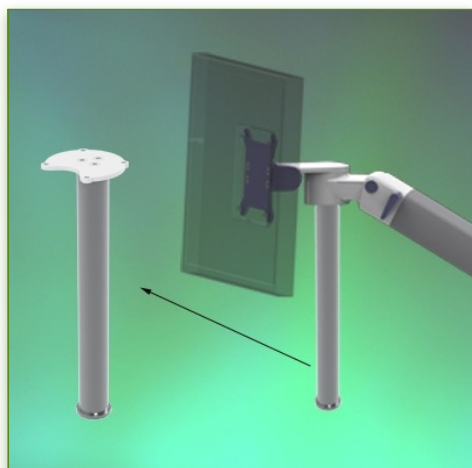
Ideal complement when no more spaces are available or even absent.

The diameter of this pole is 25 mm and allows to fix all our accessories equipped with the interface of fixing on tube of 25 mm. (mounting ring)

It is coated with an anti-microbial agent offering hygiene and cleaning down to the last detail. Its modern design has been specially designed for healthcare environments.

Technical specifications:

- * Pole length: 300 mm
- * Mounting under the swivel arms with height adjustment for screen
- * Colour RAL 7024 (Graphite grey)
- * All our medical arms are in conformity: CE, ROHS, Medical Grade, Regulations MDD 93/42 ECC.
- * Warranty: 5 years



30 cm bottom pole for height adjustable monitor arms

Part Number: 988.103



Medical Grade



Do not hesitate to contact us if you have any questions about this product.



Warranty: 5 years



000.988.103



Graphite Grey and White



On Measure



= Depending on the elements



988.103



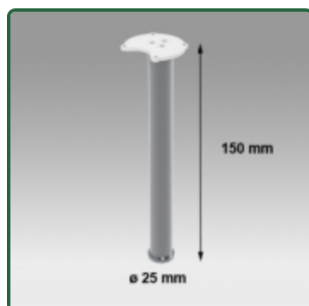
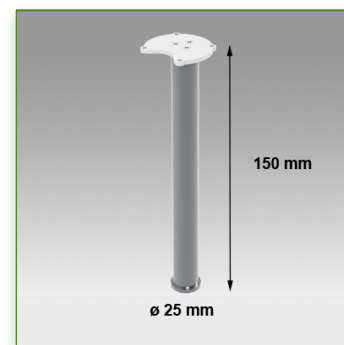
Anti-bacterial properties:

IT medical arms are now designed with Microban antibacterial protection, a revolutionary treatment that guarantees optimal hygiene. IT medical arms integrate Microban and other antibacterial agents into all medical products. It inhibits the growth of bacteria of all types. This is not a surface treatment.

It is 100% in the totality of the product.

It does not alter the physico-mechanical properties of the medical arm lift system. Simulations over 30 years show that 100% of the antibacterial properties are maintained.

All medical articulated arms incorporate Microban. Microban is the world's leading provider of anti-bacterial solutions. It has been successfully applied for more than 35 years in a wide range of products used in the hospital, construction and food industries.



15 cm Bottom Pole for swivel monitor arms

Part Number: 988.100



Do not hesitate to contact us if you have any questions about this product.



Warranty: 5 years



000.988.100



Graphite Grey and White



On Measure



= Depending on the elements



988.100

15 cm Bottom Pole for swivel monitor arms

To be mounted under the medical arms without height adjustment

This bottom pole of 150 mm comes to be fixed under the pivoting arms for screen allowing to fix complementary accessories on the pole.

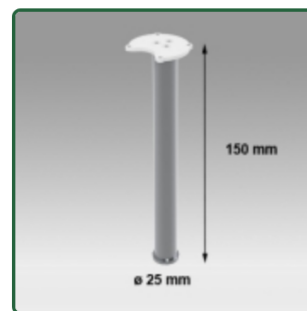
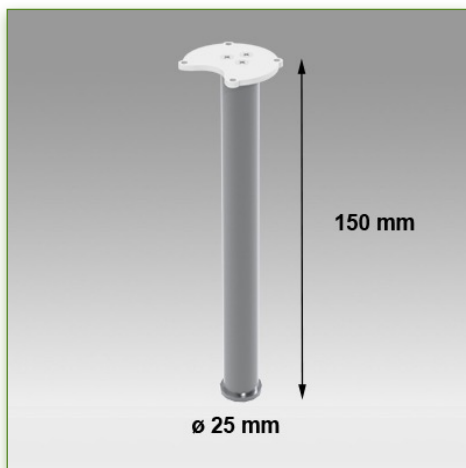
Ideal complement when no more spaces are available or even absent.

The diameter of this pole is 25 mm and allows to fix all our accessories equipped with the interface of fixing on tube of 25 mm. (mounting ring)

It is coated with an anti-microbial agent offering hygiene and cleaning down to the last detail. Its modern design has been specially designed for healthcare environments.

Technical specifications:

- * Pole length: 150 mm
- * under the swivel arms for screen without height adjustment.
- * Colour RAL 7024 (Graphite grey)
- * All our medical arms are in conformity: CE, ROHS, Medical Grade, Regulations MDD 93/42 ECC.
- * Warranty: 5 years



15 cm Bottom Pole for swivel monitor arms

Part Number: 988.100



Medical Grade



Do not hesitate to contact us if you have any questions about this product.



Warranty: 5 years



000.988.100



Graphite Grey and White



On Measure



= Depending on the elements



988.100

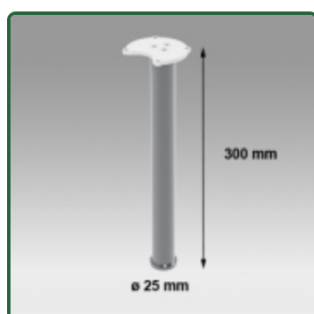
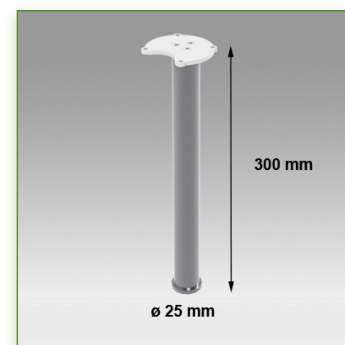


Anti-bacterial properties:

IT medical arms are now designed with Microban antibacterial protection, a revolutionary treatment that guarantees optimal hygiene. IT medical arms integrate Microban and other antibacterial agents into all medical products. It inhibits the growth of bacteria of all types. This is not a surface treatment.

It is 100% in the totality of the product. It does not alter the physico-mechanical properties of the medical arm lift system. Simulations over 30 years show that 100% of the antibacterial properties are maintained.

All medical articulated arms incorporate Microban. Microban is the world's leading provider of anti-bacterial solutions. It has been successfully applied for more than 35 years in a wide range of products used in the hospital, construction and food industries.



30 cm Bottom Pole for swivel monitor arms

Part Number: 988.101



Do not hesitate to contact us if you have any questions about this product.



Warranty: 5 years



000.988.101



Graphite Grey and White



On Measure



= Depending on the elements



988.101

30 cm bottom pole for height adjustable monitor arm

To be mounted under the medical arms with height adjustment

This lower pole of 150 mm comes to be fixed under the arms adjustable in height for screen allowing to fix complementary accessories on the pole.

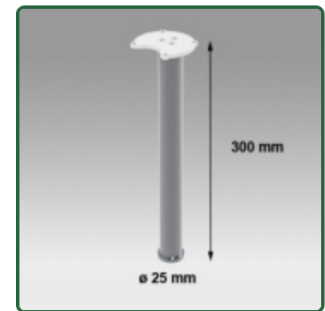
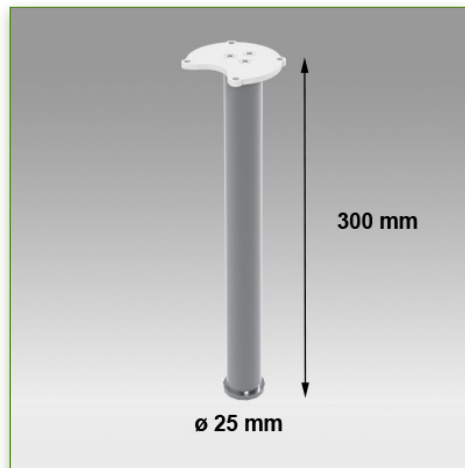
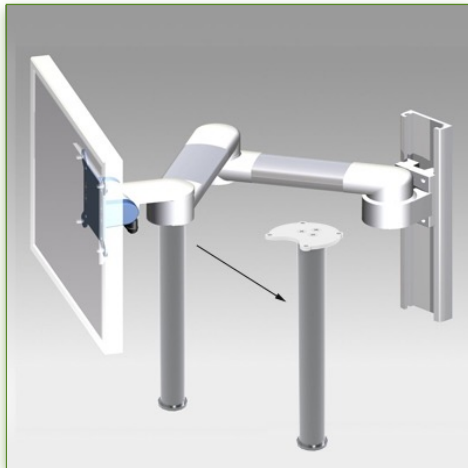
Ideal complement when no more spaces are available or even absent.

The diameter of this pole is 25 mm and allows to fix all our accessories equipped with the interface of fixing on tube of 25 mm. (mounting ring)

It is coated with an anti-microbial agent offering hygiene and cleaning down to the last detail. Its modern design has been specially designed for healthcare environments.

Technical specifications:

- * Pole length: 300 mm
- * Mounting under the swivel arms with height adjustment for screen
- * Colour RAL 7024 (Graphite grey)
- * All our medical arms are in conformity: CE, ROHS, Medical Grade, Regulations MDD 93/42 ECC.
- * Warranty: 5 years



30 cm Bottom Pole for swivel monitor arms
 Part Number: 988.101



Medical Grade



Do not hesitate to contact us if you have any questions about this product.



Warranty: 5 years



000.988.101



Graphite Grey and White



On Measure



= Depending on the elements



988.101



Anti-bacterial properties:

IT medical arms are now designed with Microban antibacterial protection, a revolutionary treatment that guarantees optimal hygiene. IT medical arms integrate Microban and other antibacterial agents into all medical products. It inhibits the growth of bacteria of all types. This is not a surface treatment.

It is 100% in the totality of the product. It does not alter the physico-mechanical properties of the medical arm lift system. Simulations over 30 years show that 100% of the antibacterial properties are maintained.

All medical articulated arms incorporate Microban. Microban is the world's leading provider of anti-bacterial solutions. It has been successfully applied for more than 35 years in a wide range of products used in the hospital, construction and food industries.

Médical Grade

Innovative designs, a StS® shortened elevator technology with a factor 6 gas lift that makes computer medical elevation effortlessly unmatched in the industry.

This StS® technology offers smooth adjustment flexibility regardless of the size and strength of the user, allowing him to maximize his comfort of use both sitting and standing. The revolutionary design of the StS technology separates from conventional technologies that do not meet the safety factor standards generally used in this type of design.

A StS elevator technology that is not under pressure, which means that your long-term performance will remain higher.

Designed for prolonged sitting or permanent applications. The StS technology offers a true revolution in ergonomic design that can be used by a wide range of clinicians and caregivers of all sizes, allowing them to adjust the height of the medical arm.

Robust, anodized aluminum construction, complemented by a small footprint, makes computer medical arms accessible even in places where space is at a premium.

These computerized medical workstations contribute to the encoding of critical patient care information with comfort at the patient's bedside with unmatched travel comfort.

Computerized medical arms comply with hospital hygiene standards, effectively they contain less than 5% of plastic harmful to bacteria and can be disinfected in the smallest details.

An anti-bacterial coating (microban) ensures perfect hygiene of arms and all parts are therefore impermeable to bacteria, no asperities in their designs aimed at a complete cleaning, fast and easy, helping to control infections.

It takes only 10 minutes to completely disinfect the workstation.

Human-centered designs place mobile computing exactly where it needs to be, reducing the time spent on each task for more efficiency.

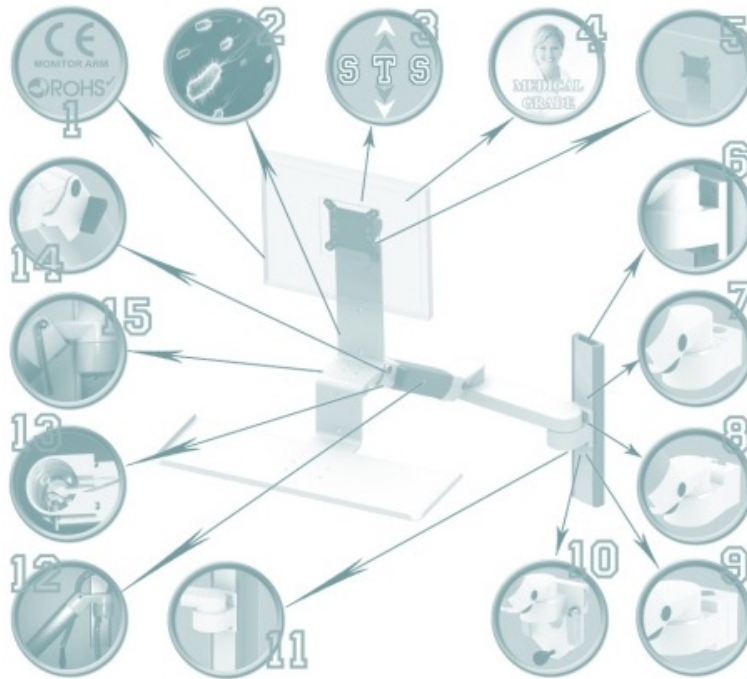
the fruit of a close collaboration with the nurses, the computer scientists, the doctors, offering them a comfort and an ergonomics unparalleled in the data entry.

These medical computer arm solutions offer healthy computing environments that promote work efficiency.

Developed for superior performance, quality, durability for a better return on investment. Designed and created to minimize the impact of energy consumption and thereby reduce the harmful effects of air emissions and pollution.

Backed by a 5 year warranty, our solutions will give you all satisfactions.

An Exceptional Experience! "Often copied, never equaled"



Unmatched in technology, comfort and installation

- 1 / Compliant and CE and ROHS / DIN EN ISO 9001: 2008 certified
- 2 / Anti-bacterial coating
- 3 / Height adjustable technology
- 4 / Medical Standards
- 5 / VESA 75 and 100 mm
- 6 / Possibility of mounting on Din Wall Rail optional
- 7 / Possibility of mounting on fixed pole, 25 - 35 - 38 mm
- 8 / Possibility of mounting on Din Vertical Rail 10 x 25 mm
- 9 / Possibility of mounting on variable pole between 20 and 40 mm
- 10 / Possible installation on DIN Rail Horizontal, 10 x 25 - 8 x 35 - 10 x 30 - 10 x 50 mm
- 11 / Optional column mounting option
- 12 / Cable entry and internal connector on the arm (internal chute supplied)
- 13 / Equipotential bonding and connector
- 14 / Adjustment and safety lever
- 15 / Adjustment and easy control of the gas cylinder

Bacteria-proof

Plastic, even food, is porous. This porosity, accentuated by scratches can cause bacteria nests in computerized medical arms during these constant manipulations. A biofilm can be put in place in a few hours, and allow the bacteria there to become resistant to external agents.

This is why our Computer Medical Arms, contrary to what we find on the market have a complete structure in anodized aluminum. Less than 5% of plastic in their designs dedicated specifically to the medical and hospital sector.

Aluminum, its characteristics, its properties, its utility:

Main characteristics

Density: 2700 kg / m³

Density: 2.7 (three times less than steel)

The use of aluminum is therefore essential in the areas of the construction of our computer arms.

Corrosion resistance:

Aluminum alloys are highly oxidizable. In the air, a layer of a few micrometers of aluminum oxide (Al₂O₃) is formed. Thanks to this thin film, aluminum alloys become resistant to corrosion. Unlike most metals, aluminum needs to oxidize to be used. Without this film of oxide, it would be unsuitable for most of its applications.

Thus, under normal atmospheric conditions, exterior building claddings or aluminum alloy parts have minimal maintenance and extended service life.

Anodizing:

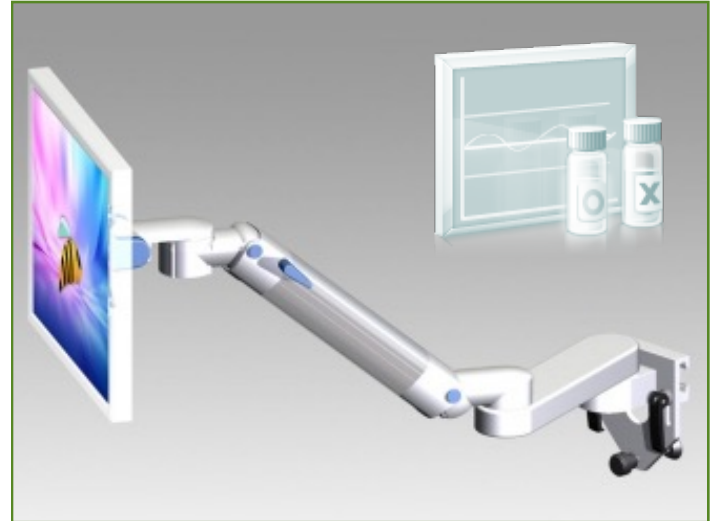
Forced oxidation with an electrolyte makes it possible to obtain coloring of the parts. This anodizing can also be colorless to keep the shine of the pieces (aluminum color). The protective oxide layer can be made thicker by anodization.

Recycling:

To recycle aluminum, there is nothing simpler: just melt it. In addition to environmental benefits, aluminum recycling is much less expensive than extraction from bauxite ore. It requires 95% less energy. And a ton of recycled aluminum saves four tons of bauxite. By skipping the electrolysis stage, which requires a lot of energy, we avoid the pollutant emissions associated with it. Aluminum is almost infinitely recyclable without losing its qualities. In France, aluminum is recovered as part of selective sorting. In sorting centers, it is sorted thanks to eddy currents. It is then broken and crushed and melted. The downside, aluminum remains on the market an expensive material.

Benefit:

- * Resistant to corrosion
- * Unalterable color
- * Rigid
- * Allows 100% recycling
- * Light
- * Noise and vibration reduction
- * Do not rust
- * Longevity is three to four times greater than steel
- * Absorbs considerable pressure and effort
- * Insulation
- * Effective barrier against bacteria
- * Raincoat
- * Resistant to high and low temperatures
- * Sterilizable
- * Strength, weight, versatility
- * Do not burn
- * Anti acid

**Antibacterial Micoban:**

The medical computer arms are now designed with Microban antibacterial protection, a revolutionary treatment that guarantees optimal hygiene. Medical computer arms integrate Microban and other anti-bacterial agents into all medical products. It inhibits the growth of bacteria of all types. It is not a superficial treatment. It is 100% in the entire product. It does not entail any alteration of the physico-mechanical properties of the lift system of the medical arms. 30-year simulations show that 100% of anti-bacterial properties are maintained. All medical articulated arms incorporate Microban. Microban is a world leader in anti-bacterial solutions. It has been successfully applied for more than 35 years in multiple products used in the hospital, construction and food sectors.

Safety factor - Load with sixfold safety factor

The factor of safety is the use of more elements than necessary to compensate for the effects of unknown variables and to prevent system failures.

Design requires dealing with the unknown. Whatever the designer's level of knowledge and the quality of the specifications, hypotheses are inevitable in any design process.

The safety factors are used to offset the potential effects of these unknowns. The idea is to add materials and components to the system so that the design exceeds the specifications defined as necessary to meet the needs.

For example, designing an internet service that can support thousands of users is straightforward and straightforward. However, to take into account unanticipated needs for example downloading large files, the specifications of the need can be multiplied (here in threes).

In this case, the safety factor of three means that the service is qualified as being able to support 1000 users but is designated to actually support 3000.

The level of the safety factor corresponds directly to the level of ignorance of the design parameters. The higher the level of ignorance, the more the safety factor will be increased. More elements mean a higher cost.

The novelties require an important factor of safety. If a design becomes reliable over time, the confidence that the unknowns of the system disappear combined with the pressure to reduce costs causes a process of trimming and reducing the factor of safety.

Unfortunately, this process usually continues until an accident or malfunction occurs.

The safety factor must be used to minimize the risk of design failure. When the level of confidence in the design increases, we can then decrease the coefficient of safety but we must be careful not to go too far.

It is necessary to observe the nominal capacity of a system to make decisions that stress the limits of the system and not the expected capacity.

That is why all our medical arms are certified with a safety factor of 6 for your safety and that of your patients.

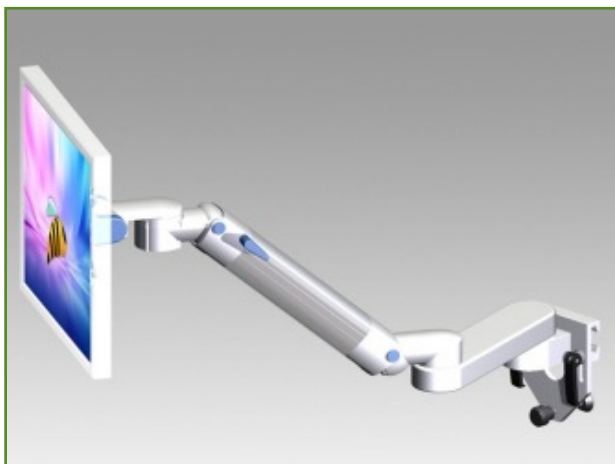


Disinfection, cleaning and hygiene of medical arms

Innovative designs, a StS® shortened lift technology with a factor 6 gas jack that allows the arms Hospital-acquired infections are a real public health problem. There are nowadays in France, about 10,000 deaths per year of these infections contracted at the hospital. They represent a very heavy burden for society, from a human, economic and social point of view. As a result, medical computer trolleys have been designed to be disinfected in their totality and disinfection takes only a very short time for the hygienist (less than 10 minutes).

WHY KEEP THE SAFE SURFACES?

- * Pathogenic microorganisms that enter the premises can survive on surfaces for long periods of time. periods of time.
- * Microorganisms that settle on surfaces can then be transmitted to the hands.
- * The germs of the hands can spread by contact, and be transmitted to other people and cause an infection.
- * Clean or disinfect surfaces to reduce the risk of cross-contamination.
- * Clean water may become contaminated if its container is not clean.



Recommended disinfectants:

1. Chlorine-based (10% max solution) - Chlorox, Novalsan, etc.
2. Formaldehyde base - 37% formaldehyde solution, Vinco Formaldegen, etc.
3. Glutaraldehyde-based stock - Aldacide 200, Lysofume, Wavicide, etc.
4. Phenol stock base - Lysol IC, many, Magna Clean, Tek-Trol, etc.
5. Alcohol Based - CaviCide, Isopropyl Alcohol, Medicide (POL-0.3), etc.
6. Oxidants - Hydrogen Peroxide Solution 3%, VikronS, Lifegard series, etc.
7. Ammonium quaternaries - Roccal-D, Bacto-Sep, Ascend, Parvosol, etc.
8. Soap and hot water

DO NOT USE:

1. Oil-based liquid cleaners, such as gasoline, turpentine or petroleum
2. Acetone
3. More than 10% bleach solutions
4. Temperature or sterilization pressure

Ergonomics of workstations on screen

Determination of posture

A good design of an on-screen workstation allows:

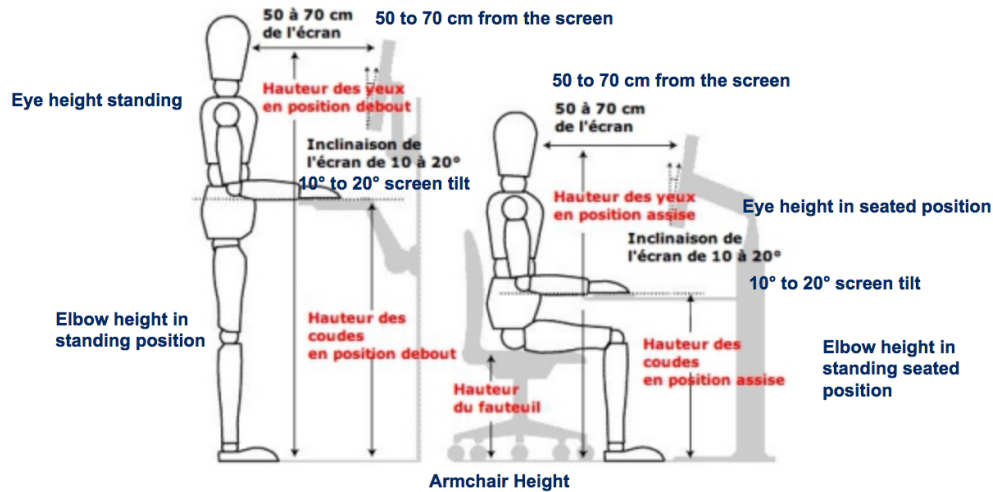
- * increase the postural margin of the operator; any posture, however ideal, becoming uncomfortable after a certain time (pain in the shoulders, arms, hands, neck, back and legs),
- * to reduce the stresses of the cervical vertebrae and the muscles supporting the head (cervicalgia, muscular fatigue),
- * * to reduce the disorders due to a sustained cognitive and visual activity (headache, tingling, tearing, visual discomfort, etc.),
- * to increase blood circulation in the legs, ...

Follow these two steps to improve the comfort of your workstation:

1. Select your size (in cm):

Size in cm	Eyes in a sitting position	Eyes in a standing position	Elbow in sitting position	Elbow in Standing Position	Armchair
152	105	141	57	93	36
155	107	144	58	94	37
157	110	146	59	95	38
160	111	148	60	97	38
163	113	151	61	99	39
165	115	153	62	101	40
168	117	156	63	102	41
170	118	158	64	104	41
173	120	161	65	106	42
175	122	163	66	108	43
178	124	166	67	109	44
180	125	168	68	111	44
183	127	171	68	112	46
185	129	173	69	113	46
188	131	175	72	116	48
191	133	178	72	117	48

2. Install / adjust the workstation components as described below:



Positions

The eyes should be aligned with the top of the display surface of the screen (specifically, the center of the screen should be at an angle of 15 degrees to the horizontal at eye level).

Exception: For wearers of progressive lenses, lower the monitor and tilt the screen up to avoid neck pain.

The height of the elbows should be adjusted with the top of the keyboard.

The height of the chair should help to keep the feet flat when the hips are at a 90 ° angle.

A seat slightly inclined downward (3 to 5 degrees) allows to better respect the natural curvature of the spine in double "S", which relieves the lumbar vertebrae.

Remarks

These values do not take into account the clothing elements. Remember to add the height of the shoes to make the right measurements.

Remember that no posture can be preserved for a long time, the postural margin being a fundamental element of comfort.

Beyond its standard recommendations, it is important to consider the location of the various elements at the station, the characteristics and distribution of the various tasks, the environmental context (thermal, acoustic and luminous environment), the collective context of the activity. (stress, mutual assistance, conflicting injunctions, etc.) and any particularities or restrictions of aptitude of the operator concerned.

Be careful not to make the mistake (made by both the operators and the companies specialized in tertiary installations) to position the screen face or back to the window but perpendicular to avoid direct glare (sometimes effective but not perceived) or the reflections of the screen.

ErgonoFlex®

MEDICAL MONITOR ARMS WALL MOUNT



We have all the solutions and offer you the widest choice of professional medical media systems compatible with the largest possible range of medical and computer monitors.